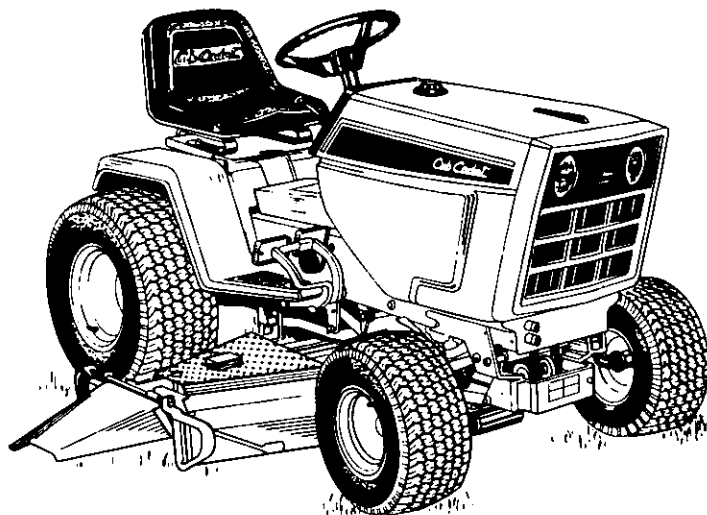


Cub Cadet[®]

Power Equipment

Owner's Manual

TRACTORS



Model Numbers

1872

2072

Important:

Read Safety Rules and Instructions Carefully

Thank you for purchasing an American-built product.

CUB CADET CORPORATION • P.O. BOX 36930 • CLEVELAND, OHIO 44136

PRINTED IN U.S.A.

FORM NO. 772-3868
R870205

Cub Cadet Corporation's Promise To You

We promise you, the first user purchaser, that we will replace or repair any part or parts of your new outdoor power product which is defective in material or workmanship without charge for either parts or labor during the first year following delivery to you.

We also promise you, the first user purchaser, a second year warranty on the engine and drive train of your new *Cub Cadet* Tractor, Lawn Tractor or Riding Tractor.

What the second year covers

(A) It will cover the engine internal parts contained within the engine shielding except for points, condensers, spark plugs, air filters, oil filters, and routine maintenance parts.

(B) It will cover the tractor drive train including drive shafts, drive shaft clutch, all parts enclosed by transmission housing, and axle housing, axle shafts, final drives, spindle pulleys, spindle bearings, and electric PTO clutch.

Home Maintenance Products: We promise you, the first user purchaser, a 1 year warranty on all Home Maintenance Products. This will cover Push Mowers, Self Propelled Mowers, Utility Trailers, Walk Behind Tillers, Chore Performers and Snow Throwers.

The Tecumseh engine, used on Walk Behind Snow Throwers, will carry a 2 year warranty on the engine only.

Cub Cadet Attachments:

We promise you, the first user purchaser, that we will replace or repair any part or parts which are defective in material or workmanship without charge for parts or labor during the first year following delivery to you. This will cover all *Cub Cadet* attachments. This does not include Approved Allied Equipment which is sold and warranted directly by the manufacturer.

Obtaining Warranty Service Through Cub Cadet Dealers

Warranty repairs will be made by your selling *Cub Cadet* dealer or any *Cub Cadet* dealer authorized to sell the type of equipment involved during the normal working hours of the dealer service department. You, the purchaser, are responsible for transportation of the equipment to the dealership for warranty service or for any service call expense, along with any overtime labor you request.

Replacement Parts Warranty

Cub Cadet parts which are furnished and installed under this warranty are themselves within the coverage of this warranty for the duration of the original warranty period or for ninety days after installation, whichever period shall expire last.



What is not Covered

Tires and tubes are not covered by this warranty, but are warranted by their manufacturer. Regular maintenance replacement items such as spark plugs, ignition points, condensers, belts, cutting parts, filters and lubricants, and maintenance adjustments such as fuel system cleaning, engine tune-up, brake and/or clutch inspection or adjustment, when such replacement or adjustments are made as part of normal maintenance service are excluded from coverage. Any non-Cub Cadet product which you may have installed in or upon the product is also excluded.

No person is authorized to give any other warranty or to assume any other liabilities on the Company's behalf unless made or assumed in writing by the Company, and no person is authorized to give any warranties or to assume any liabilities on the seller's behalf unless made or assumed in writing by the seller.

Limitations On Our Responsibility

Please carefully note that this is a two-way agreement. We promise to make free repairs or replacements as stated, but you agree, that except for our obligation to make good on this promise, we shall not be responsible for any expenses or inconvenience which you might incur or experience with respect to our product, nor shall we be liable for defects, damage, or failures caused by unauthorized alterations, unreasonable use, accident or abuse, including failure to provide reasonable and necessary maintenance, after our product has been delivered to you. Some states do not allow the exclusion or limitation of incidental or consequential damages, so the above limitation or exclusion may not apply to you. This warranty gives you specific legal rights, and you may also have other rights which vary from state to state.

Personal Use

The foregoing paragraphs constitute *Cub Cadet* Corporation's entire warranty with respect to any product purchased and used for personal, family, or household purposes as distinguished from commercial usage.

Commercial Use:

All *Cub Cadet* products will be warranted against defective parts or workmanship. This is for *Cub Cadet* Tractor, Attachments and Home Maintenance products and for one year only.

THIS WARRANTY IS IN LIEU OF ALL OTHER WARRANTIES, EXPRESSED OR IMPLIED. WARRANTIES OF MERCHANTABILITY AND FITNESS FOR PARTICULAR PURPOSE ARE EXCLUDED, AS ARE ALL OTHER REPRESENTATION TO THE USER-PURCHASER, AND ALL OTHER OBLIGATIONS OR LIABILITIES, INCLUDING LIABILITY FOR INCIDENTAL AND CONSEQUENTIAL DAMAGES, ON THE PART OF THE COMPANY OR THE SELLER.

CONTENTS

Warranty	2	Off-Season Storage	23
Safe Operations	3	Optional Equipment and Accessories	23
To The Owner	5	Maintenance Chart	23
Serial Number Location	5	Trouble Shooting	24
Controls	6	Lubrication Table	26
Operation	11	Lubrication Guide	26
Adjustments	14	Specifications	29
Maintenance	19		



Instructions given with this symbol are for personal safety. Be sure to follow them.



WARNING

This unit is equipped with an internal combustion engine and should not be used on or near any unimproved forest-covered, brush-covered or grass-covered land unless the engine's exhaust system is equipped with a spark arrester meeting applicable local or state laws (if any). If a spark arrester is used, it should be maintained in effective working order by the operator.

In the State of California the above is required by law (Section 4442 of the California Public Resources Code). Other states may have similar laws. Federal laws apply on federal lands. A spark arrester muffler is available at your nearest engine authorized service center.



WARNING

To reduce the potential for any injury, comply with the following safety instructions. Failure to comply with the instructions may result in personal injury.

SAFE OPERATION PRACTICES FOR RIDING VEHICLES

1. Read the owner's manual carefully in its entirety before attempting to assemble or operate this unit. Keep this manual in a safe place for future and regular reference and for ordering replacement parts.
2. This unit is a precision piece of power equipment not a plaything. Therefore, exercise extreme caution at all times.
3. Know the controls and how to stop quickly - READ THE OWNER'S MANUAL.
4. Do not allow children to operate vehicle. Do not allow adults to operate it without proper instruction. Only persons well acquainted with these rules of safe operation should be allowed to use your mower.
5. No one should operate this unit while intoxicated or while taking medication which impairs the senses or reactions.
6. Wear sturdy, rough-soled work shoes and close-fitting slacks and shirts to avoid entanglement in the moving parts. Never operate a unit in bare feet, sandals, or sneakers.
7. To prevent injury, do not carry passengers or give rides. Keep children, pets and bystanders out of the area while mowing. Only the operator should ride on the unit and he/she should ride only in the seat.
8. Check overhead clearance carefully before driving under power lines, guy wires, bridges or low hanging tree branches; before entering or leaving buildings, or in any other situation where the operator may be struck or pulled from the unit. Such negligence could result in serious injury.
9. To maintain control of the unit and reduce the possibility of upset or collision, operate the tractor smoothly. Avoid erratic operation and excessive speed.
10. Keep the area of operation clear of all persons, particularly small children and pets. Stop engine when they are in the vicinity of your mower. Although the area of operation should be completely cleared of

- foreign objects, a small object may have been overlooked and could be accidentally thrown by the mower in any direction and cause injury.
11. Clear work area of objects which might be picked up and thrown in any direction by the mower and cause injury.
 12. Stop the blade(s) when crossing gravel drives, walks or roads.
 13. Disengage all attachment clutches and shift into neutral before attempting to start engine.
 14. Disengage power to attachment(s) and stop engine before leaving operating position.
 15. Do not put hands or feet near or under rotating parts. Stay clear of the discharge opening at all times as the rotating blade(s) can cause injury.
 16. Disengage power to attachment(s) and stop engine before making any repairs or adjustments. Disconnect the spark plug wire(s) and keep the wire(s) away from the plug to prevent accidental starting.
 17. Before attempting to unclog the mower or discharge chute, stop the engine. The mower blade(s) may continue to rotate for a few seconds after the engine is shut off. Therefore, be sure the blade(s) have stopped completely. Disconnect the spark plug wire(s) and keep the wire(s) away from the plug to prevent accidental starting.
 18. Disengage power to attachment(s) when transporting or not in use.
 19. Take all possible precautions when leaving vehicle unattended such as disengaging power-take-off, lowering attachments, shifting into neutral, setting parking brake, stopping engine and removing key.
 20. Do not stop or start suddenly when going uphill or downhill. Mow up and down face of steep slopes; never across the face. Use extreme caution if it is necessary to drive the tractor up an incline or back the tractor down an incline because the front of the tractor could lift and rapidly flip over backward which could cause serious injury.
 21. Reduce speed on slopes and in sharp turns to prevent tipping or loss of control. Always keep the tractor in gear when going down steep hills to take advantage of engine braking action.
 22. Stay alert for holes in terrain and other hidden hazards.
 23. Use care when pulling loads or using heavy equipment.
 - A. Use only approved drawbar hitch points.
 - B. Limit loads to those you can safely control.
 - C. Do not turn sharply. Use care when backing.
 - D. Use counterweight(s) or wheel weights when suggested in owner's manual.
 24. Watch out for traffic when crossing or near roadways.
 25. When using any attachments, never direct discharge of material toward bystanders. Do not allow anyone near vehicle while in operation.
 26. Handle fuel with care. It is highly flammable.
 - A. Use approved fuel container.
 - B. Never remove cap or add fuel to a running or hot engine or fill fuel tank indoors. Wipe up spilled fuel.
 - C. Open doors if engine is run in garage. Exhaust fumes are dangerous. Do not run engine indoors.
 27. Keep the vehicle and attachments in good operating condition, and keep safety devices in place. Use guards as instructed in operator's manual.
 28. Keep all nuts, bolts, and screws tight to be sure the equipment is in safe working condition.
 29. Never store the equipment with fuel in the tank inside a building where fumes may reach an open flame or spark. Allow engine to cool before storing in any enclosure.
 30. To reduce fire hazard, keep engine free of grass, leaves or excessive grease.
 31. The vehicle and attachment should be stopped and inspected for damage after striking a foreign object. The damage should be repaired before restarting and operating the equipment.
 32. Do not change the engine governor settings or overspeed the engine.
 33. When using the vehicle with mower, proceed as follows:
 - A. Mow only in daylight or in good artificial light.
 - B. Never make a cutting height adjustment while engine is running if operator must dismount to do so.
 - C. Shut the engine off and wait until the blade comes to a complete stop before removing the grass catcher.
 - D. Check blade mounting bolts for proper tightness at frequent intervals.
 34. Check grass catcher bags frequently for wear or deterioration. For safety protection, replace only with new bag meeting original equipment specifications.
 35. Look behind to make sure the area is clear before placing the transmission in reverse and continue looking behind while backing up. Disengage blades before shifting into reverse and backing up.
 36. This unit should not be driven up a ramp onto a trailer or truck under power, because the unit could tip over, causing serious personal injury. The unit must be pushed manually to load properly.

TO THE OWNER

Assembled in this manual are operation, lubrication, and maintenance instructions for the *Cub Cadet* 1872 and 2072 tractors. The material has been prepared in detail to help you better understand the correct care and efficient operation of your tractor. Before you operate the tractor, study this manual carefully. Additional copies may be ordered from your dealer at a nominal price.

Your local authorized dealer is interested in the performance you receive from your tractor. He has factory-trained servicemen, informed in the latest method of servicing tractors, modern tools, and original-equipment service parts which assure proper fit and good performance.

The *Cub Cadet* 1872 and 2072 tractors have a hydrostatic drive unit available and will require minimum service if recommended operation and maintenance procedures are followed.

To obtain top performance and assure economical operation the tractor should be inspected, depending on its use, periodically, or at least once a year, by your authorized dealer.

When in need of parts, always specify the model, chassis, and engine serial numbers, including the prefix and suffix letters. Write these serial numbers in the space provided on this page.

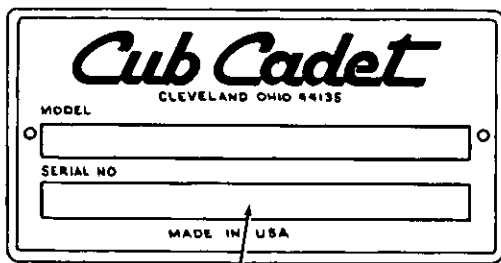
Should you have difficulties with the unit, consult your authorized dealer. **UNDER NO CIRCUMSTANCES SHOULD YOU ATTEMPT TO SERVICE THESE UNITS YOURSELF.** Only your dealer is authorized to repair or replace units on this drive under the terms of the warranty. Should you desire additional information not found in this manual, contact your authorized *Cub Cadet* dealer.

SERIAL NUMBER LOCATION



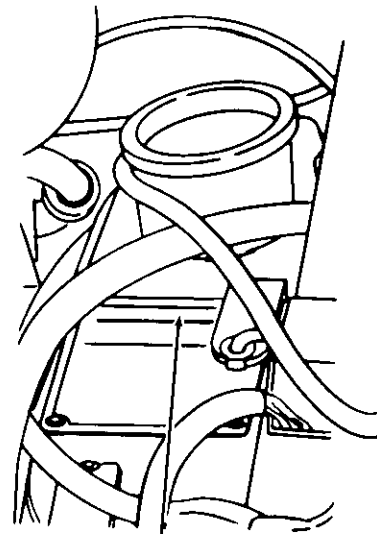
LEFT and RIGHT indicate the left and right sides of the tractor when facing forward in the driver's seat. Reference to FRONT indicates grille end of the tractor; to REAR the drawbar end.

Chassis serial number plate is located near left rear fender. (See Figure 1.)



CHASSIS SERIAL NUMBER

Figure 1



ENGINE SERIAL NUMBER

Figure 2

MODEL _____

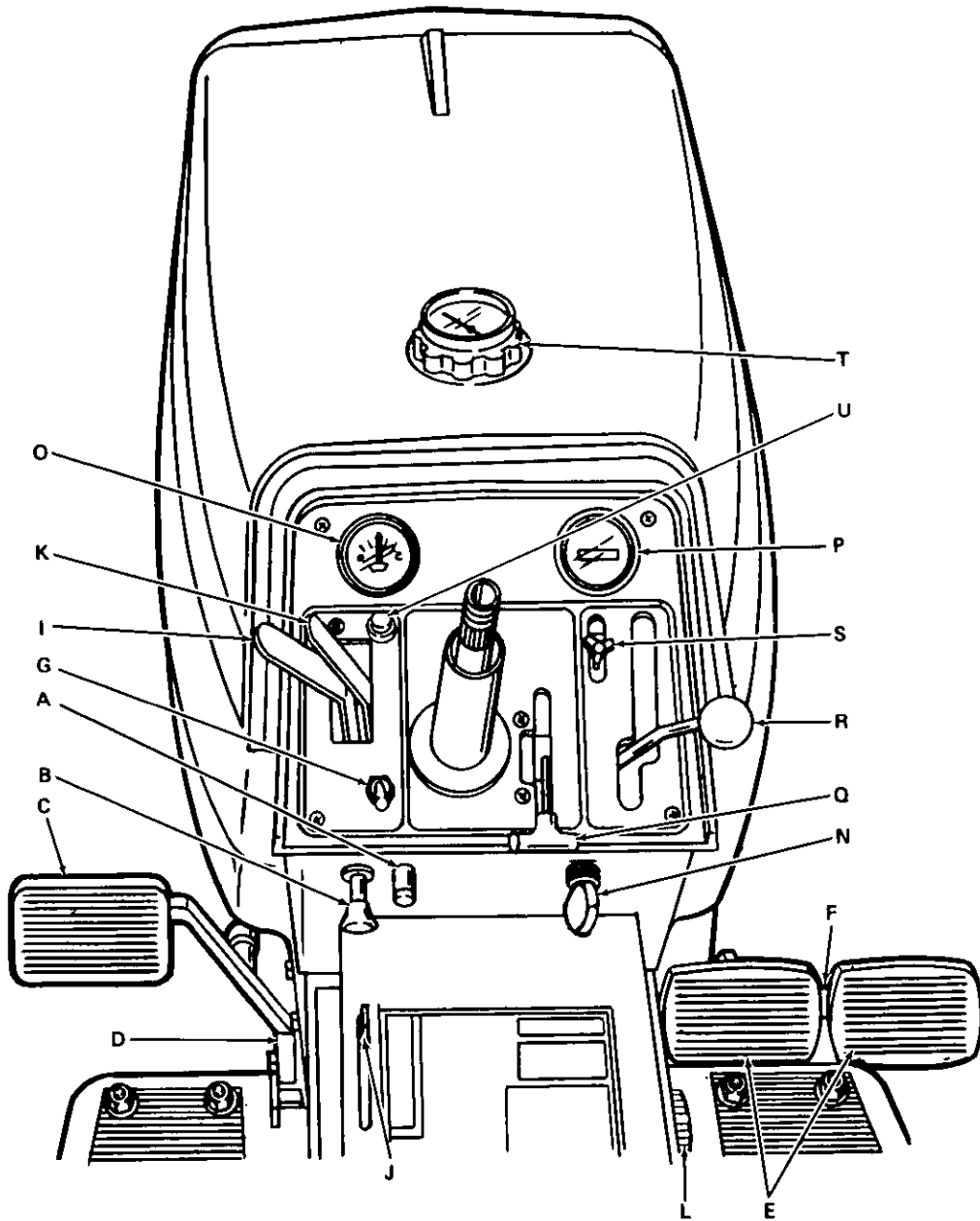
DELIVERY DATE _____

CONTROLS

Your *Cub Cadet* Tractor has been safety engineered. Thoroughly acquaint yourself with all the instruments and controls before attempting to start or operate the tractor.

A. FUSE

The fuse is installed to protect the tractor's electrical circuitry and components from damage caused by excessive amperage overload. (See Figure 3.)



- A. Fuse
- B. Choke Control
- C. Single Brake Pedal
- D. Single Brake Pedal Lock
- E. Turning Brake Pedals
- F. Turning Brake Pedal Lock
- G. Power Take-Off Control Switch
- H. Interlock Safety Switches (Not Shown)
- I. Hydraulic Lift Control Lever
- J. Lift Height Indicator
- K. Hydraulic Front Power Outlet Control Lever

- L. Cam Lock Knob
- M. Steering Wheel (Removed for Clarity)
- N. Ignition/Light Switch
- O. Charge Indicator
- P. Hour Meter
- Q. Throttle Control Lever
- R. Speed Control Lever
- S. Speed Control Stop
- T. Fuel Tank Filler Cap Gauge
- U. Oil Indicator Light

B. CHOKE CONTROL

The choke control is operated manually. Pull knob out to choke engine. Push knob in to open choke. (See Figure 3.)

C. SINGLE BRAKE PEDAL



Do not rest your foot on the single brake pedal while driving the tractor as this would cause the speed control lever to return to the "N" position.

Brake pedal must be pressed all the way down to activate the safety starting switch. When brake pedal is in the depressed position it automatically moves the speed control lever to the "N" position. (See Figure 4.)

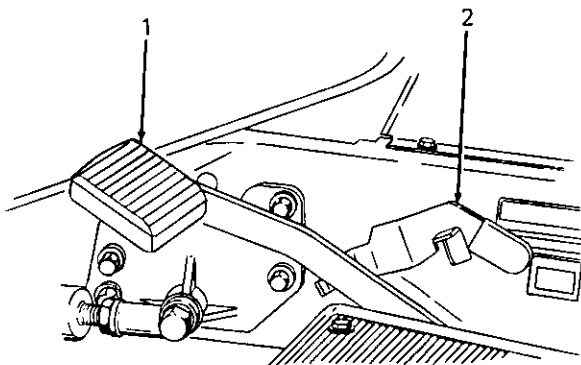


Figure 4

1. Single Brake Pedal
2. Single Brake Pedal Lock

The tractor can be stopped either by pressing the pedal all the way down, or placing the speed control lever in the "N" position.

D. SINGLE BRAKE PEDAL LOCK



The hydrostatic transmission will not hold the tractor on a hill. In a short period of time (depending on the steepness of the hill) the oil will drain from the transmission and allow the tractor to roll downhill. To avoid an accident and/or possible injury, lock the brake.

Always lock the brake when tractor is parked on a grade. To lock the brake, the turning brake pedals must be locked together to provide braking to both rear wheels. Refer to "TURNING BRAKE PEDAL LOCK." Depress single brake pedal and place the single brake pedal lock in the engaged position. (See Figure 4.) To disengage the lock, press down on the pedal, lift the lock up and place it in the disengaged position.

E. TURNING BRAKE PEDALS



Use the two pedal brakes as turning brakes only at low speeds to maintain control of the tractor when using rear mounted equipment.

Two brake pedals are used for individual braking of the rear wheels to aid in turning the tractor in soft soil conditions. (See Figure 5.) Depress the right brake pedal to slow or stop the right rear tractor wheel; depress the left brake pedal to slow or stop the left rear tractor wheel. The tractor will turn in the direction of the wheel that is slowed or stopped.

F. TURNING BRAKE PEDAL LOCK



Turning pedal brakes should not be used when mowing lawns. The wheel being braked may skid and cause lawn damage. Turning pedals should be locked together.



Pedals must be latched together when operating the tractor in transport speeds.

The brake pedal lock is located in the top edge of the right brake pedal (see Figure 5) and is used to lock the two pedals together to provide simultaneous braking to both rear wheels when the brake pedals are depressed. To lock the pedals together, pivot the lock and engage it in the slot in the left pedal. For individual brake action, pivot the lock into the storage slot in the right brake pedal.

If the brake pedals are not locked together and the single brake pedal is used, only the left rear tractor wheel is slowed or stopped.

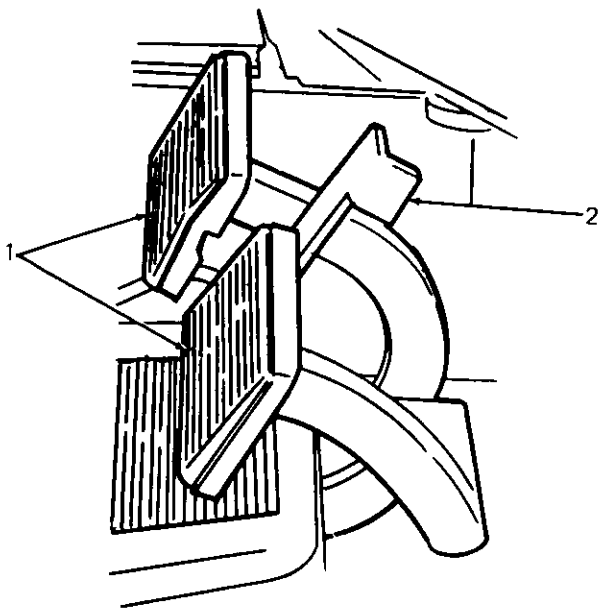


Figure 5

1. Turning Brake Pedals
2. Turning Brake Pedal Lock

G. FRONT POWER TAKE-OFF CONTROL SWITCH

The power take-off (PTO) control switch, which is located on the left side of the instrument panel (see Figure 3), operates an electric clutch. This electric clutch controls the engagement ("ON") or disengagement ("OFF") of the front PTO.

H. INTERLOCK SAFETY SWITCHES



CAUTION

The engine will not start unless:

1. The single brake pedal is depressed.
2. The PTO switch is in the "OFF" position.
3. The operator is seated.

When using PTO operated equipment, the operator must remain in tractor seat at all times. If operator should leave tractor seat without turning off the PTO switch the PTO will automatically disengage.

Interlock safety switches are activated by the single brake pedal, the PTO switch located on the control panel, and a switch located underneath the operator's seat.

The interlock safety switches, activated by the brake pedal, PTO switch and seat switch serve to prevent starting the engine accidentally. The engine will not start unless: 1. the single brake pedal is depressed,

2. the PTO is in the "OFF" position, 3. the operator is seated.

I. HYDRAULIC LIFT CONTROL LEVER



The engine must be running in order to operate the hydraulic lift.

The hydraulic lift control lever controls the raising and lowering of a mowing deck, if installed (see Figure 6). The control lever is spring loaded. To raise the equipment move the lever back toward the tractor seat. To lower the equipment move the lever forward.

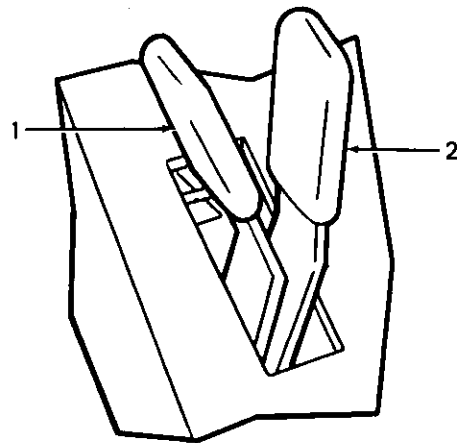
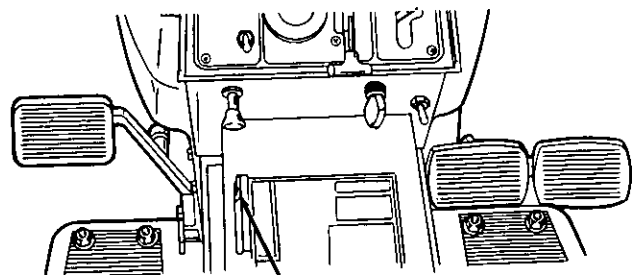


Figure 6

1. Hydraulic Lift Control Lever
2. Hydraulic Front Power Outlet Control Lever

J. LIFT HEIGHT INDICATOR

The lift height indicator will indicate the height of deck attachment when installed. (See Figure 7.)



LIFT HEIGHT INDICATOR

Figure 7

K. HYDRAULIC FRONT POWER OUTLET CONTROL LEVER

The front hydraulic outlet control lever (see Figure 6) controls angling of a front mounted blade, if installed, through hydraulic outlets located on the front of the tractor. (See Figure 8.)

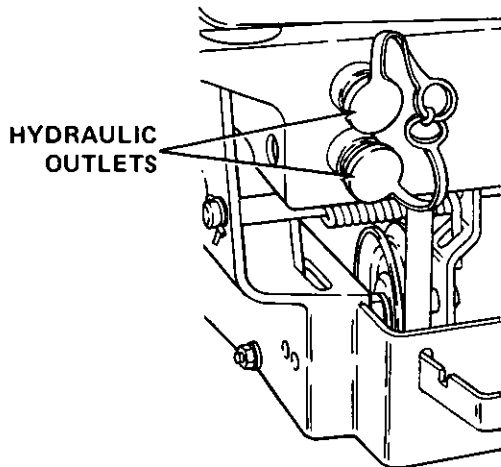


Figure 8

L. CAM LOCK KNOB

The cam lock knob is used to adjust the cam stop, which will allow an attached implement to return to a single preset height. (See Figure 9.)

With the implement at a desired height, release cam stop by turning locking knob counterclockwise. Turn cam stop until it contacts tang. Lock cam stop into this position by turning cam knob clockwise.

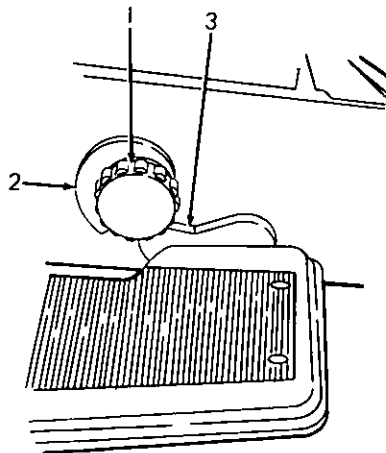


Figure 9

1. Locking Knob
2. Cam Stop
3. Tang

Equipment is normally operated in a "Float" position (implement free to move upward).

To operate equipment in a fixed "Locked" position, where down pressure of the implement is required (blade work), remove frame cover and install bolt, 1/2 x 1-1/8 inch, (not furnished with tractor) between the lift arm and lift bracket. (See Figure 10.)

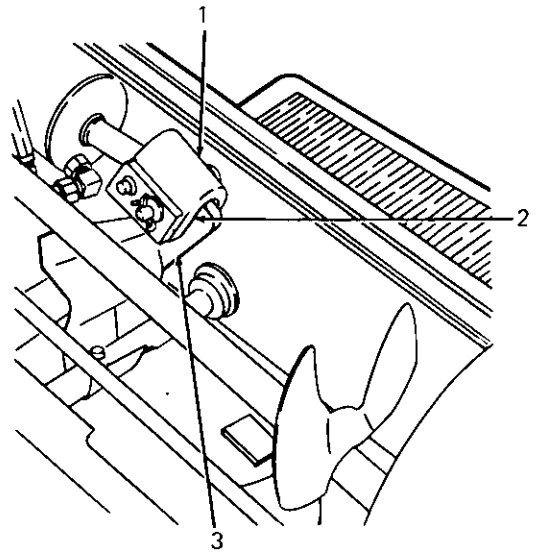


Figure 10

1. Lift Bracket
2. Hole (Not Seen) for Bolt
3. Lift Arm

M. STEERING WHEEL

The steering wheel is used to control the direction the tractor is heading when moving.

N. IGNITION/LIGHT SWITCH



WARNING

Remove the key from the tractor when the tractor is not in use to prevent accidental starting and battery discharge.

The combination lights and ignition switch is a four-position switch. (See Figure 11.)

O. CHARGE INDICATOR

This instrument indicates whether the alternator is charging or the battery is discharging. If it shows discharge continuously, investigate the cause to avoid completely discharging the battery and possible damage to the charging circuit. (See Figure 3.)

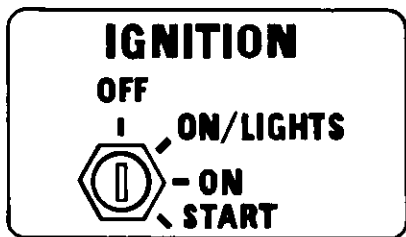


Figure 11

P. HOUR METER

The hour meter is located on the instrument panel. (See Figures 3 and 12.) It indicates the actual hours of engine operation, enabling the operator to determine without guesswork when lubrication, change of oil or periodic inspections are necessary. It also provides a means of computing cost of specific jobs. The hour meter operates whenever the engine is running or the ignition key is in the "ON" position.



Figure 12

Q. THROTTLE CONTROL LEVER

This lever controls the speed of the engine. When set in a given position, it will maintain a uniform engine speed. (See Figure 3.)

When using power take-off operated equipment, best performance is achieved with the throttle lever in the "FAST" position.



This symbol shows slow position.



This symbol shows fast position.

R. SPEED CONTROL LEVER



NOTE

Do not rest your foot on the single brake pedal while driving the tractor as this would cause the speed control lever to return to the "N" position.

The lever is used to select any speed from a standstill "N" position to eight miles per hour in the forward direction and four miles per hour in the reverse direction.

Moving the speed control lever forward provides increased forward speed, and moving the lever rearward provides the reverse speeds. (See Figure 3.)

S. SPEED CONTROL STOP

An adjustable speed control stop is provided to allow the operator to return to a predetermined speed. (See Figure 3.)

T. FUEL TANK FILLER CAP GAUGE

The fuel tank filler cap gauge indicates how much fuel is present in the fuel tank. It also works as the fuel tank cap. Remove the fuel tank filler cap gauge to fill the fuel tank. Reinstall filler cap after filling tank. (See Figure 3.)

U. OIL INDICATOR LIGHT

Indicates oil pressure of engine.



NOTE

Oil indicator light will be on when engine is started. (See Figure 3.)

FUEL SHUT-OFF VALVE

The fuel shut-off valve which is located below the gasoline tank is used as a main fuel shut off to the engine. To turn the fuel on, turn the knob counter-clockwise to the stop. To turn the fuel off, turn the knob clockwise until it is tight.

HOOD AND NOISE ISOLATION PANELS

The tractor hood is arranged to swing up and forward for easy access to the engine compartment. Whenever engine maintenance is required, the noise isolation panels can be readily removed by removing the two wings nuts and two washers (one on each side) and disconnecting the panel spring. (See Figure 13.)

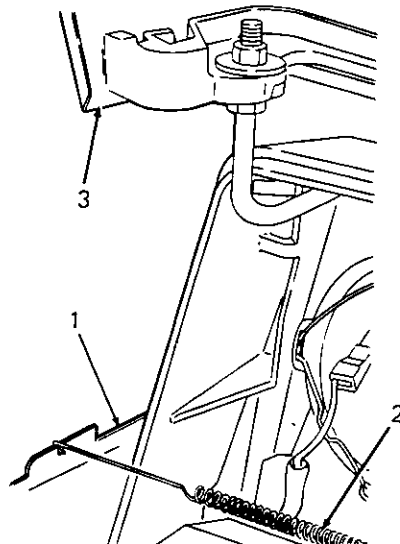


Figure 13

1. Noise Isolation Panel (One On Each Side)
2. Panel Spring
3. Hood

OPERATION



WARNING

RECEIVE INSTRUCTION - Read operator's manual. Learn to operate this machine SAFELY. Don't risk INJURY or DEATH.

1. Before starting engine or operation: Be familiar with controls. Be in operator's position with transmission in neutral, PTO turned off, and brake depressed.
2. Keep shields in place. Keep away from moving parts.
3. NO RIDERS! Keep all people and pets a safe distance away. Look before backing up.
4. Don't point mower discharge at people.
5. Avoid slopes. Tractors can be rolled over.
6. Before leaving operator's position: Shut off PTO. Place transmission in neutral. Set parking brake. Shut off engine. Remove ignition key. Wait for all movement to stop before servicing or cleaning.
7. Do not fill gasoline tank when engine is running or while engine is hot. Tighten cap securely.

STARTING THE ENGINE



WARNING

Do not operate tractor if the interlock system is malfunctioning because it is a safety device designed for protection.



NOTE

This unit is equipped with a safety interlock system for your protection. The purpose of the safety interlock system is to prevent the engine from cranking or starting unless the single brake pedal is depressed, the PTO switch is in the "OFF" position and the operator is seated.



NOTE

This unit can be equipped with an optional disconnect clutch.



NOTE

This disconnect clutch is mounted on the engine to transmission drive shaft. The purpose of the disconnect clutch is to allow the engine to start before the transmission is engaged. This will greatly reduce the load on the engine when it is started, thus making it easier to start the engine. (See Figure 14.) It is available through your authorized *Cub Cadet* dealer.



NOTE

The disconnect clutch should be installed by your authorized *Cub Cadet* dealer.

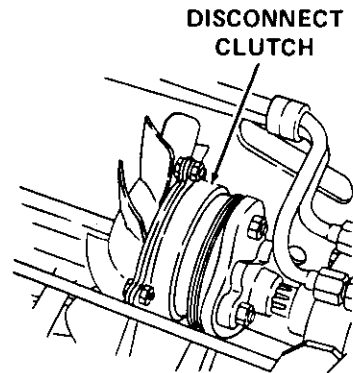


Figure 14

1. Pull choke control button to full choke position. Less choking may be necessary due to variations in temperature, grade of fuel, etc. Little or no choking will be needed when the engine is warm.
2. Place the throttle just off "SLOW" position.
3. To start the engine, safety starting switches must be activated by pressing the single brake pedal all the way down and moving the PTO switch to the OFF position.



NOTE

The speed control lever will return to neutral when the single brake pedal is pressed all the way down, and the linkage is properly adjusted.

4. Turn the ignition key clockwise to the "START" position and release it as soon as the engine starts; however do not operate the starter for more than 10 seconds at any one time. If the engine does not start within this time, turn the key "OFF" and wait a few minutes, then try again.
5. After the engine starts, slowly release the single brake pedal and gradually push the choke control button all the way in. Do not use the choke to enrich the fuel mixture, except as necessary to start the engine.

 **NOTE**

In cold weather the starting motor may disengage prematurely. This is caused by the engine firing once but failing to continue running. If this happens several times, the engine will be flooded and it will be necessary to leave the throttle in the "SLOW" position but push the choke in all the way; then turn the ignition key to the "START" position and slowly pull the choke out to the position which will cause the engine to start and continue running. If the engine falters after putting tractor into motion, pull the choke out part way until the engine runs smoothly, then gradually push the choke back in as the engine warms.

STOPPING THE ENGINE



CAUTION

Remove the key to prevent accidental starting and battery discharge if equipment is left unattended.

Move the throttle lever to the "SLOW" position and allow the engine to idle for a short time before stopping. Then turn the key to the "OFF" position. Remove key from ignition switch.

Engine starting is possible in cold weather providing the correct weight of engine oil is used, the battery is fully charged, and the proper starting procedure is followed. The best procedure for starting at temperatures near or below freezing are as follows:

TRACTOR BREAK-IN PROCEDURE



CAUTION

Never operate a new engine immediately under full load. Break it in carefully as shown in the table below.

Period	Engine Throttle Control Lever Position			Load
	½	¾	Full	
1st hour		X		None
2 hour	X		X	Light drawbar load or Mowing with tractor at slow speed
3rd through 13th hour		X	X	Medium drawbar load or Normal mowing

1. Pull the choke all the way out into the full choke position.
2. Move the throttle lever just off "SLOW" position.
3. Press the single brake pedal all the way down and be sure the PTO switch is in the "OFF" position. The safety interlocks will prevent starting unless this is done.
4. Move the key switch into the "START" position and hold until the engine starts; however, do not operate the starter for more than 10 seconds at any one time. As soon as the engine starts, slowly push the choke in part way.

COLD WEATHER STARTING



WARNING

During operation do not run the engine in confined area such as storage building any longer than is necessary. Immediately move the tractor outside into the air.

DRIVING THE TRACTOR



WARNING

When the engine is off, the tractor will become very difficult to steer. This is because the engine must be on for the power steering to operate. Do not turn off engine until tractor comes to a complete stop or damage to equipment or injury to persons might occur.



CAUTION

Avoid sudden starts, excessive speed, and sudden stops. Keep tractor in gear when going down hills.



CAUTION

Do not leave the seat of the tractor without depressing the single brake pedal and setting the brake lock. If leaving the tractor unattended, also turn the ignition key off and remove the key.



NOTE

Hydraulic power for the power steering will take priority over installed hydraulically driven accessories.



NOTE

When using power take-off operated equipment, best performance is achieved with the throttle lever in the "FAST" position.

Unless turning brake pedals are needed for control in turning the tractor, they should be locked together at all times to provide simultaneous braking to both rear wheels.

1. Depress the single brake pedal, release the brake lock, and let the pedal up. Move the throttle lever to the position where the engine operates best for the load to be handled.
2. Start the tractor in motion by moving the speed control lever slowly forward or rearward to desired speed.

DRIVING ON SLOPES



CAUTION

Always drive up or down the face of a slope. Do not drive so that the tractor may tip over sideways.

Before operating the tractor on any slope, walk the slope to look for possible hazards such as rocks, mounds, ruts, stumps or other surface irregularities which could cause an upset.

Back the tractor with implement up the steepest portion of each slope you intend to work. If the tractor cannot negotiate the slope in reverse, the slope is too steep to be worked.

Avoid turns when driving on a slope. If a turn must be made, turn down the slope. Turning up a slope greatly increases the chance of a roll over.

Avoid stopping when driving up a slope. If it is necessary to stop while driving up a slope, start up smoothly and carefully to reduce the possibility of flipping the tractor over backward.

STOPPING THE TRACTOR



CAUTION

Always engage single brake pedal lock, lower equipment and shut off engine before dismounting. Never try to start engine from ground.

Move the speed control lever to the "N" position or use the single brake pedal. Before dismounting always lock the brake pedal and turn the ignition "OFF". Also disengage the PTO switch.

The turning brake pedals must be latched together to provide braking to both rear wheels. Latch turning brake pedals together before locking single brake pedal.

DRAWBAR

Drawbar equipment must be hitched to the tractor only at the hitch hole in the drawbar.

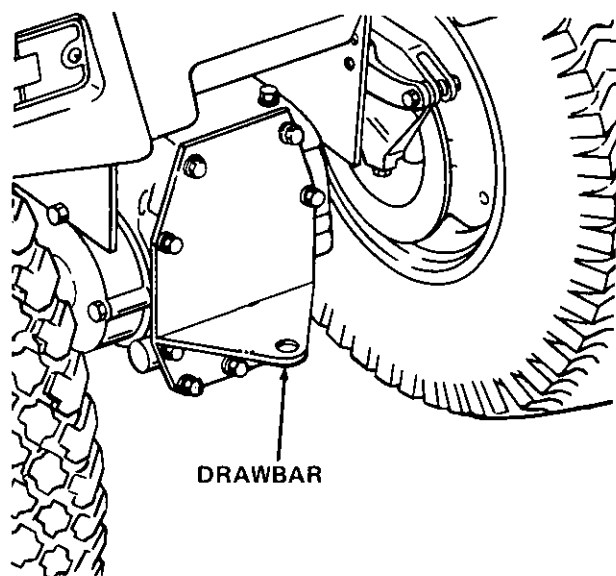


Figure 15

OPERATING THE FRONT POWER TAKE-OFF CLUTCH (PTO)

NOTE

Be certain to follow break-in instructions, listed below.

1. Move the throttle lever back to the medium or "SLOW" position.
2. Flip the toggle switch to the "RUN" (C) position.
3. Advance throttle to operating speed (full speed).
4. The operator must remain in tractor seat at all times. If operator should leave tractor seat without turning off the power take-off switch, the PTO will automatically disengage.
5. PTO switch must be in the "OFF" (A) position when shifting the tractor into reverse or the PTO will shut off automatically. To re-engage the PTO, shift unit into neutral. Move PTO switch to "OFF" (A) position. Then pull knob out and lift up to "START" (B) position and release.

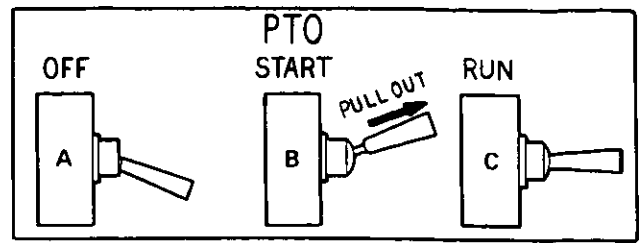


Figure 16

FRONT PTO CLUTCH BREAK-IN PROCEDURE

To break in the components and increase the life of the clutch assembly, proceed as follows.

1. Attach mowing deck, snow thrower, etc. to the tractor.
2. Adjust the belt tension as recommended in attachment owner's manual.
3. Engage and disengage the PTO ten to fifteen times without any load (not cutting grass, not blowing snow, etc.).

ADJUSTMENTS

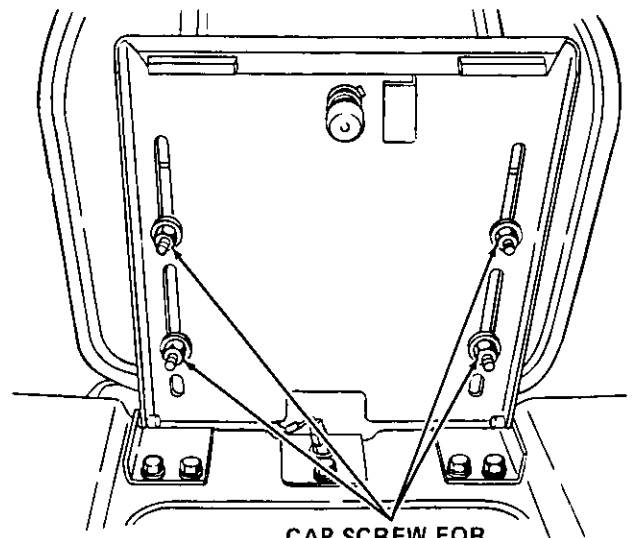
ADJUSTING THE SEAT

Before starting the tractor, adjust the seat to the most comfortable driving position. Tilt the seat forward over the steering wheel, loosen the four cap screws in the seat support, and slide the seat assembly forward or rearward to the position which is most comfortable for the operator. (See Figure 17.)

Retighten the cap screws after the seat is adjusted.

NOTE

The battery is located in a well under the operator's seat for ease in servicing or replacement when necessary.



CAP SCREW FOR SEAT ADJUSTMENT

Figure 17

ADJUSTING THE POWER TAKE-OFF CLUTCH



WARNING

To avoid possible injury, always disengage all clutches, move speed control into neutral, depress the brake, set the brake pedal lock and turn the ignition "OFF" before working on the machine.

The clutch is factory adjusted and should not require further adjustment under normal operating conditions. However, if the clutch fails to operate properly, check as follows:

Check fuse on pedestal.

Using a feeler gauge, check the air gap. (See Figure 18.) Insert feeler gauge into one of three access slots located around the outside of the brake plate. The air gap should be .017 inch. Adjust the self-locking nuts to obtain the proper clearance. Repeat the operation in all three access slots.

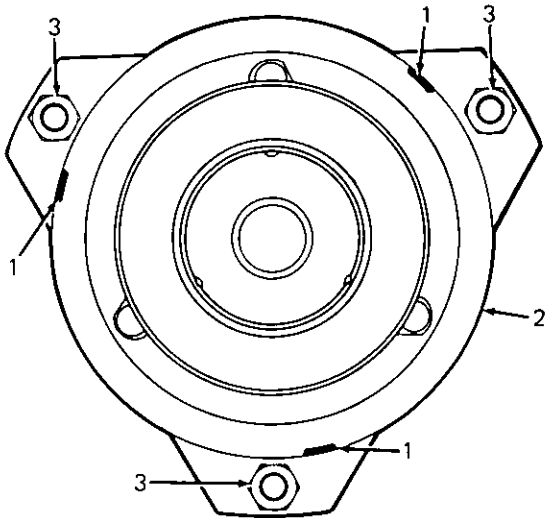


Figure 18

1. Access Slots
2. Brake Plate
3. Self-Locking Nuts

BRAKE ADJUSTMENT

During normal operation on this machine, the brakes are subject to wear and will require periodic examination and adjustment.

Brake adjustment check:

1. To check brake adjustment, place a 1 inch thick wood block between the single brake pedal and the brake pedal lock (see Figure 19).
2. With the 1 inch thick wood block installed, the brake disc pads should be applying a light amount of friction against the brake disc rotor. If they are not, the brakes need adjustment (see Figure 20).

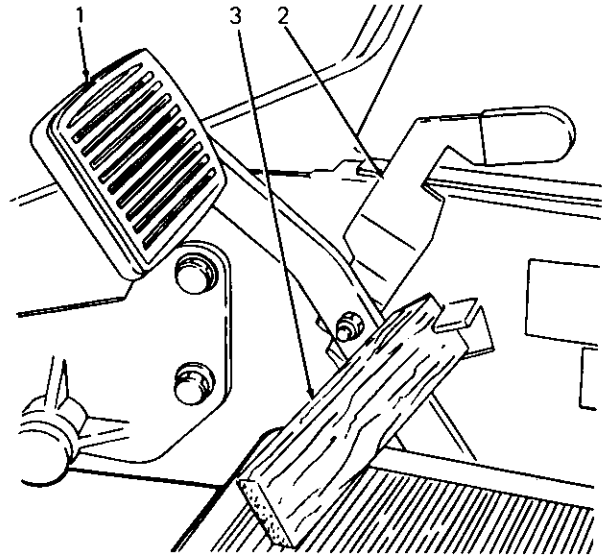


Figure 19

1. Single Brake Pedal
2. Brake Pedal Lock
3. 1 Inch Thick Wood Block

Brake adjustment:

(See Figure 20)

1. Latch turning brake pedals together.
2. Place a 1 inch thick wood block between the single brake pedal and the brake pedal lock (see Figure 19).
3. Remove cotter pins and washers from rear end of both brake rods and loosen jam nuts from clevises.
4. Block the front wheels and raise the rear wheels.

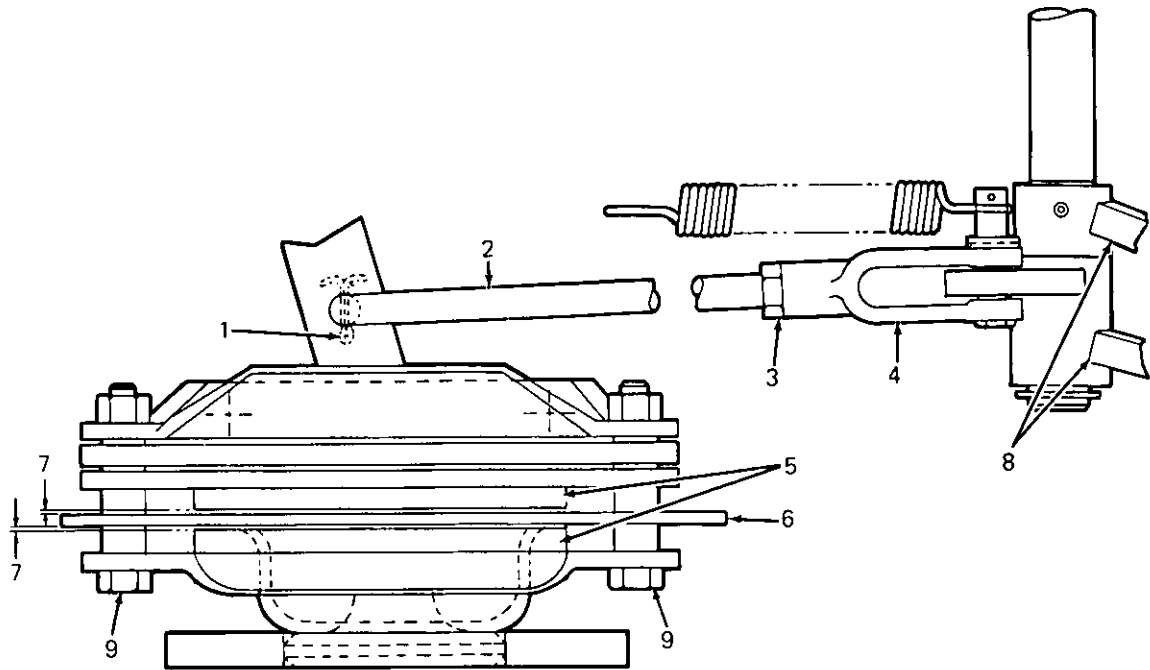


Figure 20. Right Side Shown

- | | |
|---------------------------------------|---|
| 1. Cotter Pin and Washer (Both Sides) | 6. Rotor (Both Sides) |
| 2. Brake Rod (Both Sides) | 7. Clearance Between Disc Pads and Rotor (Both Sides) |
| 3. Jam Nut (Both Sides) | 8. Turning Brake Pedal Arms |
| 4. Clevis (Both Sides) | 9. Wheel Lug Bolts |
| 5. Disc Pads (Both Sides) | |

5. Adjust each brake rod in turn by:
 - A. To tighten the brakes, shorten the length of the brake rod by turning it into the clevis.
 - B. To loosen the brakes, make the brake rod longer by turning it away from the clevis.
6. Adjust the brake rods until the disc pads apply a light amount of friction against the rotor.
7. Reinstall cotter pins, washers, and tighten jam nuts.
8. Recheck brake adjustment. If the adjustment is correct, remove wood block and lower tractor.
9. With the wood block removed, the brake disc pads must not rub against the brake rotor.

NOTE

Dimension B should be approximately 1/8 inch less than dimension A.

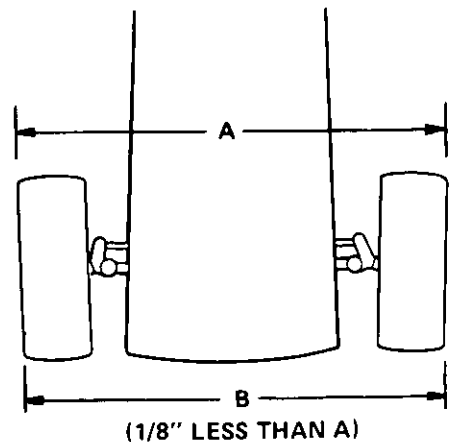


Figure 21

WHEEL ALIGNMENT

The front wheels should toe-in approximately 1/8 inch.

Measure the distances A and B on the front wheels. (See Figure 21.)

For adjustments of toe-in see your authorized *Cub Cadet* dealer.

FRONT WHEEL ADJUSTMENTS.

Check the front wheels to ensure that the turning radius of the unit is equal in both directions. Turn the wheels all the way to the left. Measure the angle of the wheel to the frame. Turn the wheel all the way to the right and repeat the measurement. The angles shall be equal.

NOTE

Power steering components are under hydraulic pressure. If not properly adjusted, serious damage may occur to steering components.

For adjustments on front wheels, see your authorized *Cub Cadet* dealer.

PIVOT BAR ADJUSTMENT BOLTS

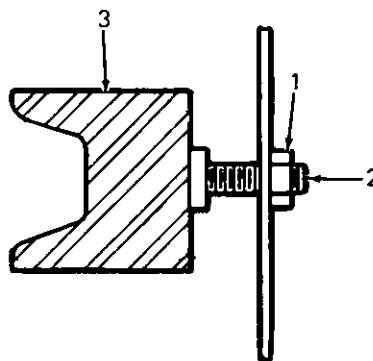
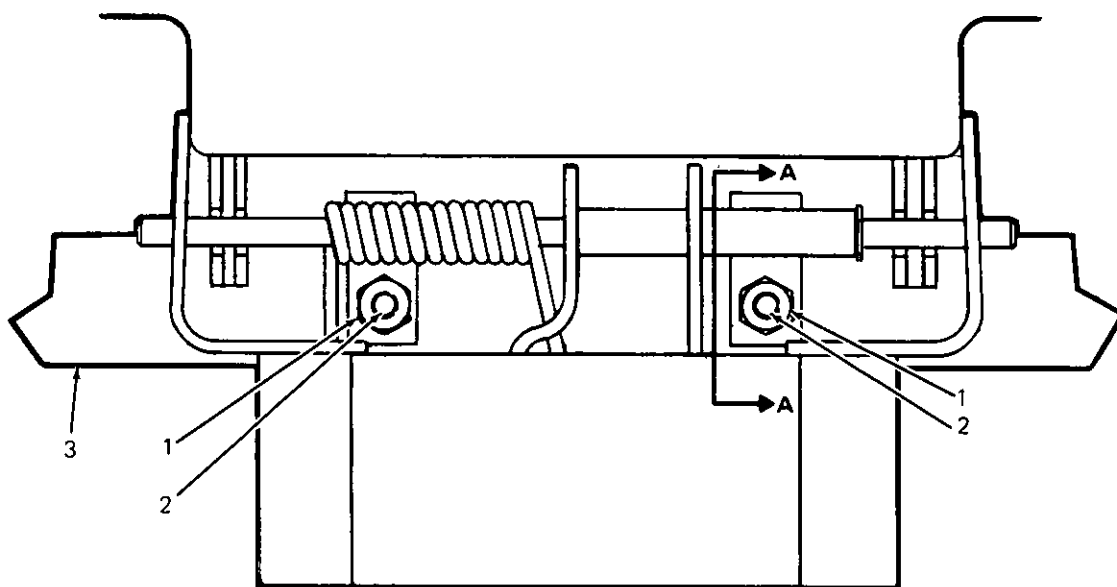


CAUTION

The tractor must be checked every 50 hours of tractor operation for play between the front axle and the pivot bar adjustment bolts. The adjustment bolt heads must fit against the front axle. If play is discovered, the pivot bar adjustment bolts must be adjusted.

If play is discovered between the front axle and the pivot bar adjustment bolt heads, adjust both bolts as follows: (See Figure 22.)

1. Loosen jam nut 3 to 4 turns or as required.
2. Turn both pivot bar adjustment bolt counter-clockwise until they hit against the front axle.
3. Tighten jam nut.
4. Repeat the above steps for the other pivot bar adjustment bolt.



1. Jam Nut
2. Pivot Bar Adjustment Bolts
3. Front Axle

SECTION A-A

Figure 22

CARBURETOR ADJUSTMENTS



WARNING

If any adjustments are made to the engine while the engine is running (e.g., carburetor), disengage all clutches and blades. Keep clear of all moving parts and be careful of heated surfaces and muffler.



WARNING

To avoid injury or an accident, be sure the brake pedal is in the locked position, transmission is in neutral, and any equipment is disengaged before starting engine to make carburetor adjustments.



WARNING

Carbon monoxide fumes can be fatal! Do not make any adjustments to the carburetor in a confined area such as a storage building. Move the tractor outside into the air.



NOTE

Model 1872 tractors will be equipped with either a fixed jet or an adjustable carburetor. Model 2072 tractors will be equipped with fixed jet carburetors only. The difference between the carburetors is that the fixed jet carburetor does not have a main fuel adjustment; therefore the fixed jet carburetor has only two adjustment screws.

The carburetor is adjusted at the factory and under normal operating conditions it will not require readjusting. However, if the engine does not operate properly, what may appear to be a faulty carburetor adjustment is in many cases a clogged air filter. This possibility should be ruled out before attempting to readjust carburetor. Refer to "MAINTENANCE" section in this manual.

To prevent possible damage to the carburetor needles, be very careful closing the carburetor needles before basic adjustments are made. Improper adjustment of the carburetor may result in engine damage.

MAIN FUEL ADJUSTMENT

(1872 Tractor with Adjustable Carburetor Only)

Preliminary setting – turn screw out 2 1/2 turns. Final setting – start engine and raise engine speed to maximum governed, no load speed. Turn screw in just until engine speed decreases and note the position of the screw. Now turn the screw out. The engine speed will first increase, but then decrease as screw

is turned out. Note the position of screw when engine speed starts to decrease. Set the screw midway between the two points noted above.

IDLE SPEED ADJUSTMENT

(1872 and 2072 Tractors)

Run engine at maximum governed, no load speed for a minimum of 30 seconds, then allow engine speed to fall to idle or put throttle into idle position. Set engine speed to 1200 (+ or -75 RPM) by turning the idle speed screw in or out.

IDLE FUEL ADJUSTMENT

(1872 and 2072 Tractors)

Set the idle fuel mixture by turning the idle fuel screw out, from the closed position, 3/4 to 1-1/4 full turn.

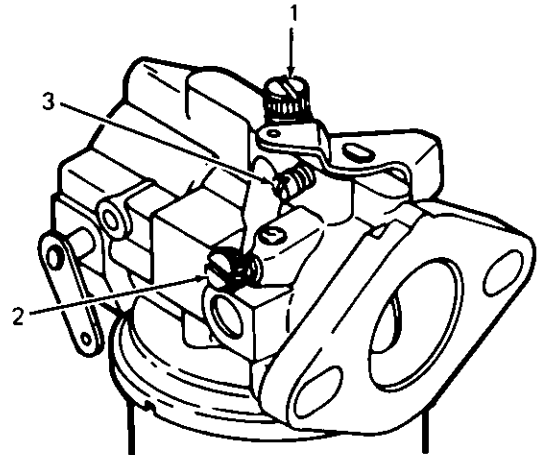


Figure 23. 1872 Tractor With Adjustable Carburetor

1. Main Fuel Adjustment Screw
2. Idle Fuel Adjustment Screw
3. Idle Speed Adjustment Screw

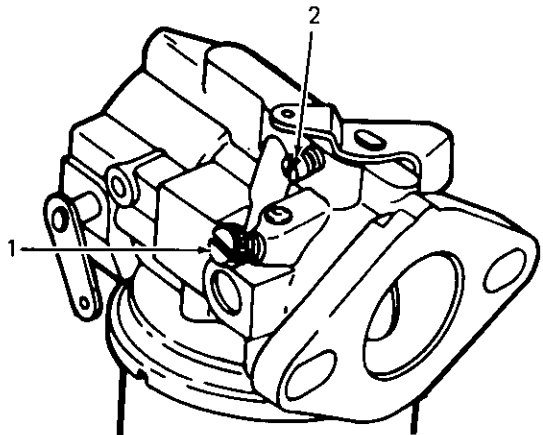


Figure 24. All 2072 Tractors and 1872 Tractors With Fixed Jet

1. Idle Fuel Adjustment Screw
2. Idle Speed Adjustment Screw

MAINTENANCE

ENGINE OIL

The engine crankcase is filled with ship-away oil. This oil may be used for the first 5 hours of engine operation at temperatures between 0 degrees F and 90 degrees F. If temperatures are not within this range, drain the oil from the oil filter and crankcase and replace with new oil as specified in the "LUBRICATION TABLE."

To aid starting, the selection of crankcase lubricating oils should be based on the lowest anticipated temperatures until the next drain period.

Cub Cadet Low Ash Engine Oil meeting API Service Classification SF is recommended. For maximum engine life select API SF oils with lowest levels of barium, calcium, or magnesium additives and minimum ash content (approximately 0.5%). Lubricant suppliers will normally furnish this information on their engine oils.

For oil change intervals of 50 hours the following oils are recommended.

32°F and above — *Cub Cadet* Low Ash Engine Oil S.A.E.-30.

0°F to 32°F — *Cub Cadet* Low Ash Engine Oil S.A.E. 10W-30.

Below 0°F — S.A.E. 5W-20 or S.A.E. 5W-30.

For other approved oils refer to lubrication table.

NOTE

For temperatures above 32°F a multi-viscosity oil 10W-30 or 10W-40 can be used. When either of these oils is used, the oil change interval increases to every 25 hours.

Regularly check the oil level of the engine crankcase to see that it is filled to the correct level. Always keep the oil level between the "FULL" and the "LOW" marks on the dipstick. When checking the oil level the dipstick must be withdrawn and wiped clean, then inserted all the way and withdrawn for a true reading.

Check the oil level only while the engine is stopped and tractor is level.

During initial break-in period the engine oil level should be checked frequently.

FILLING THE CRANKCASE

To fill the crankcase with oil, place the tractor on a level surface. Clean the area around the oil fill tube and dipstick to prevent debris from entering the

crankcase. Remove the oil fill cap and slowly pour 3 pints of oil into the crankcase. Replace the oil fill cap. The 18-HP and 20-HP Kohler engine is equipped with a remote oil filter; it is necessary to run the unit for approximately one minute to allow the oil to fill the filter and oil lines. After stopping the engine remove oil fill cap and add the remaining 14 ounces of oil, pouring slowly. (Engine oil capacity — 3 pints 14 ounces.) When checking the oil level, push the dipstick assembly firmly but slowly until cap bottoms on tube. **DO NOT OVERFILL.** Dipstick assembly **MUST BE PUSHED FULLY INTO TUBE AT ALL TIMES WHEN ENGINE IS OPERATING.**

NOTE

Never overfill the engine crankcase. Engine may overheat and/or damage may result if the crankcase is below the "LOW" mark or over the "FULL" mark.

OIL FILTER

The oil filter is located behind the right side panel and is mounted to the fire wall. (See Figure 25.) The oil filter should be changed every oil change interval. The filters can be obtained through your *Cub Cadet* dealer under Part Number KH-52-050-02; this is the only approved filter due to the pressure specifications required for the 18-HP and 20-HP engine.

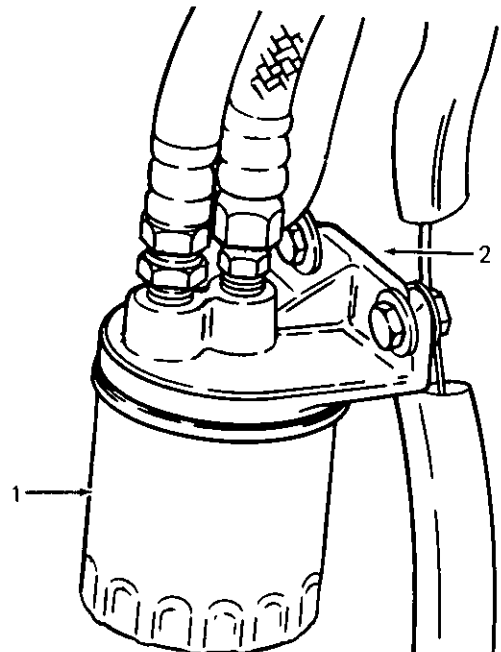


Figure 25

1. Oil Filter
2. Fire Wall

AIR CLEANER

Servicing Foam Pre-Cleaner Element

Clean and re-oil foam pre-cleaner element at 1 month intervals or every 10 hours, whichever occurs first.



Service more often under dusty conditions.

1. Remove wing nut and cover. (See Figure 26.)
2. Remove foam pre-cleaner element by sliding it up off the paper cartridge.
 - A. Wash pre-cleaner element in liquid detergent and water.
 - B. Squeeze dry in cloth.
 - C. Saturate in engine oil. Squeeze to distribute oil evenly.
 - D. Wrap in shop towel and squeeze to remove excess oil.

Discard used element and replace with new one at least once a year.

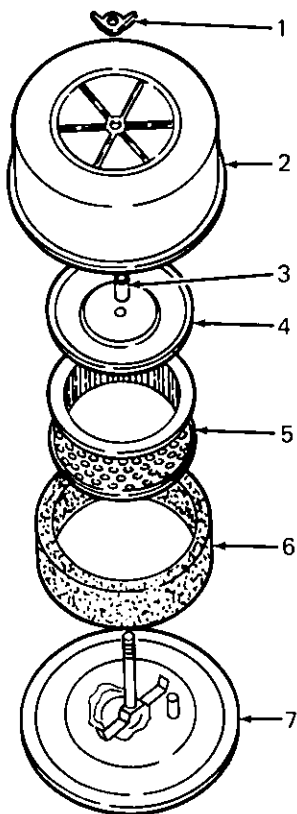


Figure 26. Air Cleaner Assembly

- | | |
|----------------|-----------------------------|
| 1. Wing Nut | 5. Paper Cartridge |
| 2. Cover | 6. Foam Pre-Cleaner Element |
| 3. Rubber Tube | 7. Base Backplate |
| 4. Cover Plate | |

SERVICING PAPER CARTRIDGE

This engine is equipped with a dry type air cleaner element, which should be checked every 100 operating hours and replaced if dirty. It should be checked and if necessary replaced more often under extremely dirty, dusty conditions. Do not wash element in any liquid or attempt to blow dirt off with air hose as this will puncture filter element. Carefully handle new element — do not use if gasket surfaces are bent or twisted. Check the following when installing a new element: (See Figure 26.)

1. Backplate must be flat on gasket of carburetor elbow. Replace backplate if bent or cracked.
2. Gasket surfaces of element must be flat against backplate and covered to seal effectively.
3. Seal on cover must be in place to reduce noise and vibration of the cover. Vibration can cause stud hole in cover to enlarge, thus permitting dirt to enter carburetor.
4. Wing nuts must be finger tight — do not over-tighten.

Properly cleaned and installed air cleaner elements are the best guarantee to continued long and satisfactory engine life.

CLEANING ENGINE

This tractor has an air-cooled engine. Air must be able to circulate freely around the engine, through the screen, shroud, and over the fins of the cylinder head and cylinder block. Keep these areas free of accumulated dirt and trash or engine will overheat and result in damaged moving parts. Periodically clean the inside of the side panels and grille for adequate cooling.



This machine is designed to cool properly with the engine side panels in place. Operating the machine without panels in place may result in inadequate cooling.

SPARK PLUGS



WARNING

To avoid possible injury, be sure engine is off and cool before making any adjustment or repairs.



Remove all dirt from around the spark plugs before removing.

To remove spark plugs, always use a spark plug wrench. Check gap after every 100 hours of operation.

Replace a defective plug with a new plug. Set gap at .025 inch. (See Figure 27.) Tighten plug to 10-15 ft-lbs. See your authorized dealer for the correct replacement plug.

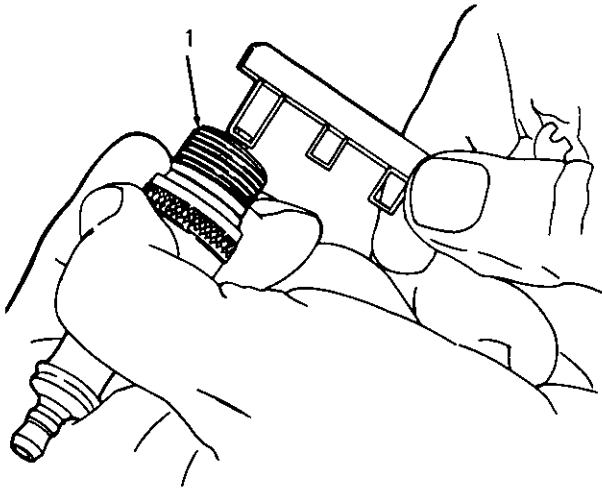


Figure 27

1. Spark Plug

CLEANING OF CYLINDER HEADS

Cleaning of the cylinder heads should only be done by your authorized *Cub Cadet* Dealer. This process is to be done to keep your engine properly cooled and at its peak efficiency. The frequency of cleaning is dependent upon the type of fuel used. When leaded fuel is used the cleaning interval is 250 hours, and with unleaded fuel the cleaning interval is 500 hours.

LIGHTS

The headlights are sealed-beam units. Refer to "SPECIFICATIONS" when replacement is necessary.

To replace the taillight lamp, remove socket and bulb from the back of the taillight by rotating socket 1/4 turn. Refer to "SPECIFICATIONS."

FUSE

Always use the same capacity fuse for replacement. Refer to "SPECIFICATIONS." If electrical system malfunctions, check the fuse.

To install a new fuse, press in on the fuse housing cap and turn counterclockwise to remove it from the fuse housing. Remove the old fuse and replace with a new one. Then reassemble the cap to the housing.

BATTERY INFORMATION



WARNING

- A. Battery acid must be handled with great care as contact with it can burn and blister the skin. It is also advisable to wear protective clothing (goggles, rubber gloves and apron) when working with it.*
- B. Should battery acid accidentally splatter into the eyes or onto the face, rinse the affected area immediately with clean cold water. If there is any further discomfort, seek prompt medical attention.
- C. If acid spills on clothing, first dilute it with clean water, then neutralize with a solution of ammonia/water or baking soda/water.
- D. Since battery acid is corrosive, do not pour it into any sink or drain. Before discarding empty electrolyte containers, rinse them with a neutralizing solution.
- E. NEVER connect or disconnect charger clips to battery while charger is turned on as it can cause sparks.
- F. Keep all lighted materials (cigarettes, matches, lighters) away from the battery as the hydrogen gas generated during charging can be combustible.
- G. As a further precaution, only charge the battery in a well-ventilated area.

***Always shield eyes and protect skin and clothing when working near batteries.**



DANGER

BATTERIES CONTAIN SULFURIC ACID AND MAY CONTAIN EXPLOSIVE GASES (when electrolyte has been added).

KEEP BATTERIES OUT OF THE REACH OF CHILDREN.

MAINTENANCE OF BATTERY

1. Check electrolyte level periodically (at least every two weeks). Keep the level to the split rings. Use only distilled water or a good quality drinking water. Never add acid or any other chemicals to the battery after initial activation.
2. The battery should be checked with a hydrometer after every 25 hours of operation. If the specific gravity is less than 1.225, the battery should be recharged. Maximum charge rate 5 amps.

3. Coat the terminals and exposed wire with a thin coat of grease or petroleum jelly for longer service and protection against corrosion.
4. The battery should be kept clean. Any deposits of acid should be neutralized with baking soda and water. Be careful not to get this solution in the cells.
5. Avoid tipping the battery. Even a "sealed" battery will leak electrolyte when tipped.

STORAGE OF THE BATTERY

1. When storing battery for extended periods, disconnect battery cables. Removing battery from unit is recommended.
2. Keep the exterior of the battery clean, especially the top. A dirty battery must be stored with a full charge. A dirty battery will discharge itself.
3. Check the battery with a hydrometer. The battery must be stored with a full charge. A discharged battery will freeze.

Specific Gravity	Freezing Point
1.265	-71°F
1.250	-62°F
1.200	-16°F
1.150	5°F
1.100	16°F



NOTE

All batteries discharge during storage.

4. Recharge battery whenever the specific gravity is less than 1.225, before returning to service or every two months, whichever comes first.

COMMON CAUSES FOR BATTERY FAILURE

1. Overcharging
2. Undercharging
3. Lack of water
4. Loose hold downs and/or corroded connections.
5. Excessive loads
6. Battery electrolyte substitutes
7. Freezing of electrolyte



NOTE

These failures do not constitute warranty.

BATTERY REMOVAL OR INSTALLATION



WARNING

When removing the battery, follow this order of disassembly to prevent your wrench from shorting against the frame.

Battery removal:

1. Remove the Negative cable.
2. Remove the Positive cable.

Battery installation:

1. Attach the Positive cable.
2. Attach the Negative cable.

JUMP STARTING



WARNING

Failure to use this starting procedure could cause sparking, and the gases in either battery could explode.

1. Attach the first jumper cable from the positive terminal of the good battery to the positive terminal of the dead battery.
2. Attach the second jumper cable from the negative terminal of the good battery to the FRAME OF THE UNIT WITH THE DEAD BATTERY.

TIRES

Keep the pneumatic tires properly inflated. Overinflation will cause operator discomfort. Underinflation will cause short tire life.

Inflate the front and rear tires for normal or heavy load operations as shown in the following table:

Tire Size	Pounds per Square Inch
Front Tires 18x8.50-8	12
Rear Tires 26x12.00-12	12

Always see that the tire valve caps are in place and tightened securely to prevent loss of air and protect the valve core and stem.

Do not overload the tractor tires by mounting equipment on the tractor which exceeds the load capacity of the size of the tires on the tractor.

MOUNTING TIRES ON THE RIM

After mounting a new or old tire on the rim, inflate it to 20 pounds pressure to seat the tire bead on the rim flange. Then deflate the tire to the correct operating pressure.



NOTE

After the first 10 hours of operation, check and retorque the wheel lug nuts (both sides) to 35 ft-lbs. to make sure they have seated properly.

OFF-SEASON STORAGE

If the machine is to be inoperative for a period longer than 30 days, the following procedures are recommended:

1. Refer to engine manual for engine storage procedures.
2. Clean the engine and the entire tractor thoroughly.
3. Lubricate all lubrication points and wipe the entire machine with an oiled rag in order to protect the surfaces.
4. Follow battery storage instructions on page 22.
5. Protect tires and seat from sunlight. Inflate tires at regular intervals.

OPTIONAL EQUIPMENT AND ACCESSORIES

When you purchased your tractor, you probably had it completely equipped for your particular needs at the time. However, later you may wish to obtain optional equipment or accessories. These items and other allied equipment can be purchased from, and installed by, your authorized dealer.

The tractor is used for so many different types of work, and because it is called on to operate under so many different conditions, a variety of equipment is available to adapt it to the requirements of the user. Refer to equipment catalog.

MAINTENANCE CHART

Operation to be performed	Before each use	10 hours or once a month	30 hours three times a season	50 hours or twice a season	100 hours or yearly	Before storage
Clean grille (front & backside) & engine inlet air screen		More often under dirty conditions X				
Check engine oil level	X					
Fill fuel tank	X					
Cylinder head cleaning				Leaded fuel - 250 hours Unleaded fuel - 500 hours		
Change engine oil and oil filter	After first 5 hours			More often under dirty conditions X		
Replace transmission oil filter		After first 10 hours X		After first 50 hours X	Every 100 hours thereafter	
Re-oil & clean foam air precleaner		X				
Check battery electrolyte level		X				
Grease front axle pivot bolt		X		50 hours X		
Lubricate steering knuckles (2) and steering arm		X				

MAINTENANCE CHART

Operation to be performed	Before each use	10 hours or once a month	30 hours three times a season	50 hours or twice a season	100 hours or yearly	Before storage
Retorque rear wheel lug nuts		After first 10 hours X				
Lubricate brake shaft			X			
Check transmission oil level			X			
Clean cooling fins & external surfaces			X			
Service air cleaner paper cartridge					More often under dirty conditions	
Check spark plugs					X	X
Lubricate speed control linkage cam plates					X	
Check and regrease front wheel bearings					X	X
Drain fuel						X
Pivot bar adjustment bolt					X	

TROUBLE SHOOTING

Possible Cause

Possible Remedy

HARD TO START

No gasoline in fuel tank or carburetor	Fill the tank with gasoline; open the fuel shut-off valve. Check the fuel line, and carburetor.
Fuel line or carburetor clogged	Clean the fuel line and carburetor with commercial carburetor cleaner.
Gas filter plugged	Replace.
Water in gasoline	Drain the fuel tank and carburetor. Use new fuel and dry the spark plug.
Choked improperly. Flooded engine	Follow the starting instructions.
Defective ignition or loose wiring	Check the wiring, spark plug, or fuse.
Defective battery	Check and service. Refer to "BATTERY."
Spark plug dirty or improper gap	Clean, adjust the gap to .025-inch or replace the plug.

*See your authorized dealer.

TROUBLE SHOOTING

Possible Cause

Possible Remedy

ENGINE OPERATES IRREGULARLY OR KNOCKS

Engine incorrectly timed	*
Spark plug dirty; wrong gap or wrong type	Clean, reset the gap, or replace.
Poor or weak spark	Check the spark plug and wiring.*
Carburetor setting incorrect	Adjust. Refer to "ADJUSTMENTS"
Poor grade fuel or water in fuel	Drain and use a good grade of clean fuel.
Engine overheating	Refer to "MAINTENANCE."
Engine valves at fault	*
Engine smokes	Adjust the carburetor.*
Oil level rises due to gasoline in crankcase	Refer to "OPERATING IN COLD WEATHER."
Air filter becomes oil and fuel soaked	Refer to "OPERATING IN COLD WEATHER."
Engine leaks oil	Refer to "OPERATING IN COLD WEATHER."
Misfiring	Refer to "OPERATING IN COLD WEATHER."
Other engine problems	*
Excessive oil in air cleaner	Be sure that oil dipstick is fully seated and all excess oil is squeezed out of pre-cleaner foam element.

LACK OF POWER

Air cleaner clogged	Service the air cleaner element. Refer to "MAINTENANCE."
Engine overload	Reduce the load.
Engine overheated	Make sure air intake screen, shrouding, engine fins, and grille are free of accumulated dirt and trash. Refer to "MAINTENANCE."
Poor fuel, too rich, or too lean a mixture	Refer to "ADJUSTMENTS."
Fuel tank air vent clogged	Open the vent in the cap.
Air leakage between carburetor and engine	Remove air cleaner. Tighten the carburetor and manifold mounting nuts. Replace as indicated in "MAINTENANCE."
Incorrect timing or faulty ignition	*
Brake drags	Adjust the brake. Refer to "ADJUSTMENTS."

ENGINE OVERHEATING

Insufficient cool air, dirty air intake screen, shroud, cooling fins, or dirty grille	Keep the air intake area and cooling fins clean; refer to "MAINTENANCE."
Lean carburetor adjustment	Readjust. Refer to "ADJUSTMENTS."
Oil level incorrect	Engine oil level must not be over the "FULL" mark or below the "LOW" mark. Refer to "MAINTENANCE."

***See your authorized dealer.**

LUBRICATION TABLE

Point of Lubrication	Check at Hours	Change at Hours	Capacity	Anticipated Air Temperature		
				Above +32°F	+32°F to 0°F	Below 0°F
Engine crankcase	Check before each use	50	3 pints 14 ounces (1.9 quarts)	<i>Cub Cadet</i> Low Ash Engine Oil SAE 30	<i>Cub Cadet</i> Low Ash Oil SAE 10W-40 or 10W-30	<i>Cub Cadet</i> Low Ash Engine Oil SAE 5W-20 or 5W-30
Hydro-drive unit mounted on transmission case with filter	30	Add as needed	Approx. 14 pints	<i>Cub Cadet</i> Hydraulic Transmission Fluid NOTE: <i>Cub Cadet</i> hydraulic transmission fluid meets IH B-6 specifications. If fluid is used that does not meet these requirements, <i>Cub Cadet</i> will not be responsible for substandard performance. Failures due to use of improper fluid are not covered by warranty. For maximum protection, use <i>Cub Cadet</i> Hydraulic Transmission Fluid.		
Steering knuckles & front axle pivot bolt	10		Use 25IH EP grease or equivalent No.2 multi-purpose lithium grease and apply two or three strokes or sufficient grease to flush out old grease and dirt.			
Front wheel bearings	100 or yearly		Remove front wheels and pack bearings with 25IH EP grease or equivalent No. 2 multi-purpose lithium grease and reinstall wheels.			

LUBRICATION GUIDE



WARNING

The life of any machine depends upon the care it is given. Proper lubrication is a very important part of that care.

Be certain that all lubrication fittings are assembled in place, using the lubrication illustrations as a guide.

Always lubricate the tractor thoroughly before taking it to the field. Use a pressure lubricating gun.

Be sure all fittings are free from dirt and paint so the lubricant is certain to enter the bearing.

Always force the lubricant through the full length of each bearing until it emerges at the end, carrying with it the worn lubricant and any dirt that may have entered the bearing.

Miscellaneous working parts not provided with lubrication fittings should be oiled daily with a good grade of lubricating oil.

Lubricant is cheap. Use plenty of it. Worn parts can be expensive to replace.

Keep your supply of lubricating oil and grease stored in clean containers, and covered to protect from dust and dirt.

Keep the lubricating gun nozzle clean and wipe dirt from grease fittings before lubricating.

The symbols in the illustration indicate the method of application and the hourly intervals to apply the lubricant.



Use a pressure lubricating gun and apply 25IH EP grease (or equivalent No. 2 multi-purpose lithium grease) sufficient to flush out the old grease and dirt. Lubricate at hourly intervals indicated on symbols.



Dipstick, use to check engine oil before each use.

LUBRICATION GUIDE

—Before Each Use

1. Engine filler cap and dipstick.

Check the oil (with the engine stopped) and add sufficient new oil to bring it to the "FULL" mark on the dipstick. Do not overfill. Do not operate the engine if the oil level is below the "LOW" mark on the dipstick.

—After Every 10 Hours of Operation

2. Steering knuckles (2).
(Both sides)

Use 251H EP grease or equivalent No. 2 multi-purpose lithium grease and apply sufficient grease to flush out old grease and dirt.

3. Transmission oil filter.

NOTE: After the first 10 hours only, remove the transmission oil filter and replace with a new filter. Refer to "MAINTENANCE." Change the transmission oil filter after 50 hours and every 100 hours of operation thereafter.

4. Front axle pivot bolt.
(Right side)

Use 251H EP grease or equivalent No. 2 multi-purpose lithium grease and apply sufficient grease to flush out old grease and dirt.

NOTE: It may be necessary to rotate the front axle to reach the grease fitting.

—After Every 30 Hours of Operation

5. Transmission oil level and fill tube.

Check the oil with the engine stopped. Keep the lubricant up to "FULL" mark on dipstick (6).

NOTE: Transmission oil level and fill tube also services the following.

1. Hydrostatic transmission
2. Rear axle
3. Hydraulic lift system
4. Front hydraulic outlets
5. Power steering

—After Every 50 Hours of Operation

6. Engine oil drain plug and oil filter.

While the engine oil is warm, remove the drain plug and oil filter (5), and drain all of the oil from the crankcase and oil filter lines. Replace the drain plug. Refer to "MAINTENANCE," "FILLING THE CRANKCASE" & "OIL FILTER" for proper oil filling procedure. Refer to "LUBRICATION TABLE" for the proper quantity and viscosity to use.

7. Transmission oil filter.

NOTE: After the first 50 hours only, remove the transmission oil filter and replace with a new filter. Refer to "MAINTENANCE." Change the transmission oil filter every 100 hours of operation thereafter.

—Every 100 Hours of Operation

8. Transmission oil filter.

Change the transmission oil filter and replace with a new filter. Refer to "MAINTENANCE."

Speed Control Linkage

9. Cam plates.

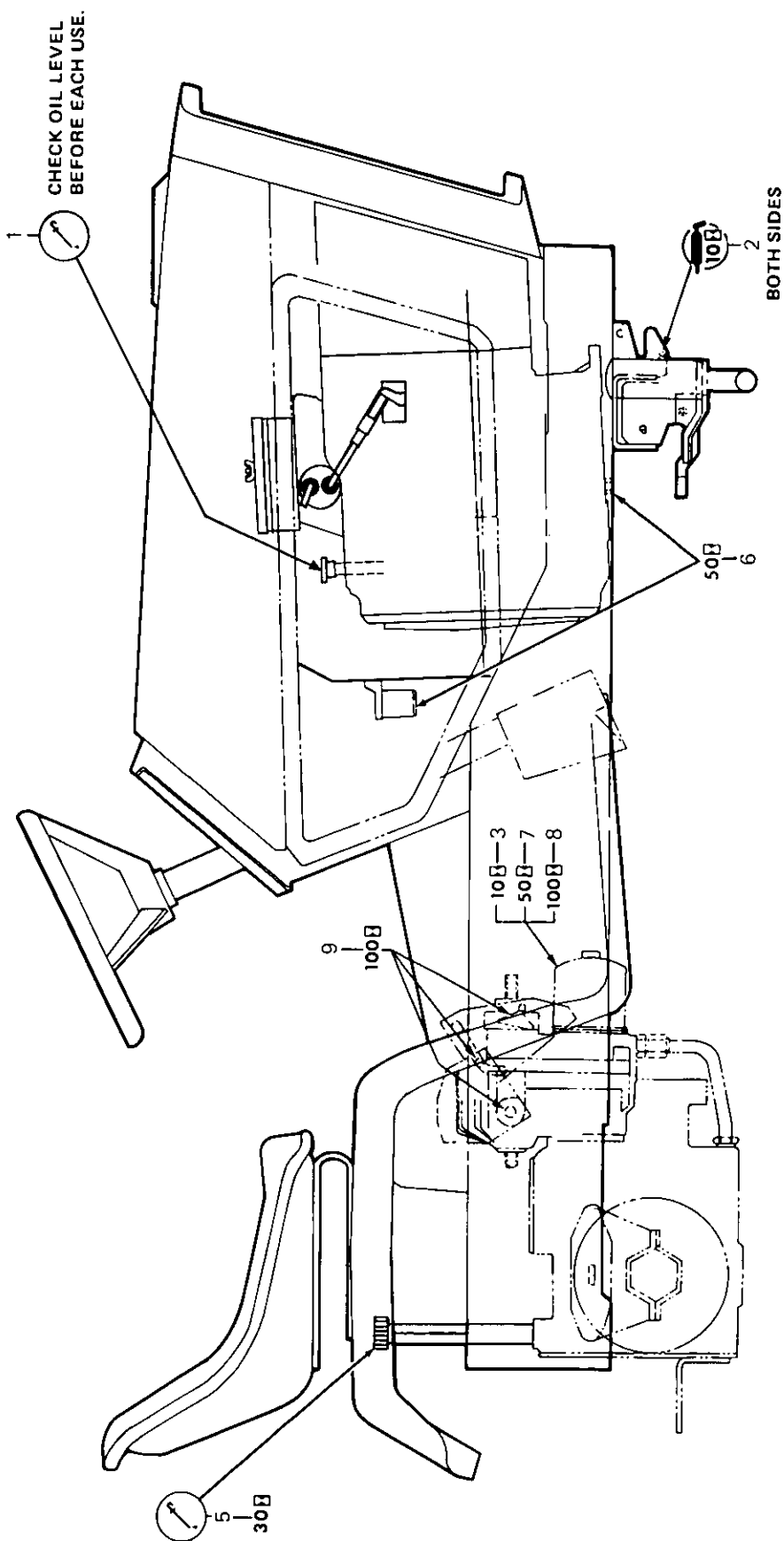
Once a year, apply a small amount of 251H EP grease or equivalent No. 2 multi-purpose lithium grease in the slots.

Miscellaneous

- Brake pedal shaft.

Lubricate the brake pedal shaft and linkage with eight or ten drops of engine oil.

LUBRICATION GUIDE



SPECIFICATIONS

CAPACITIES	1872	2072
Fuel Tank	4 gals.	
Crankcase	3 pts. 14 oz.	
Transmission case with hydro-drive unit mounted	7 qts.	
HYDROSTATIC DRIVE		
Speed: Forward	0 to 7.5 mph	
Reverse	0 to 4 mph	
ENGINE		
Make and model	Kohler	
(electric starting)	18 HP	20 HP
Cylinders	2	
Bore	3.125 in.	
Stroke	2.75 in.	3.06 in.
Displacement (cubic inches)	42.18 in.	46.98 in.
Engine speed (governed)		
Low speed	1200 RPM	
High idle speed		
(no load)	3600 RPM	
(full load)	3350 RPM	
Valve clearance (engine cold)		
Intake003-.006 in.	
Exhaust011-.014 in.	
Ignition	Battery	
Spark plug gap (Champion RBL-15Y or equivalent)025 in. gap.	
ELECTRICAL SYSTEM		
System voltage	12 volt neg. ground	
Battery	1 HPRLU	
Alternator	15 amp	
Fuse (cartridge type)	20 amp slow blow	
Headlights		
all glass, sealed beam units	Lamp No. H7610	
Taillight	Lamp No. 194	
BRAKES	Dual disc, external	
TIRE SIZES		
Front	18 x 8.50-8	
Rear	26 x 12.00-12	
DIMENSIONS		
Tread:		
Front with 18 x 8.50-8 tires	33.0 in.	
Rear with 26 x 12.00-12 tires	31.5 in.	
Wheelbase	51.6 in.	
Length, over-all	78.5 in.	
Width, over-all	43.5 in.	
Height, over-all (to top of steering wheel)	47.5 in.	
Ground clearance	7.6 in.	
Turning radius	7.25 ft.	

Specifications are subject to change without notice.

