

**INTERNATIONAL®**

**4**

**TRAILER**

**SETTING UP INSTRUCTIONS**

**INTERNATIONAL®**

# OPERATOR'S MANUAL



# TO THE OWNER

The International 4 Trailer is designed for use with International Cub Cadet and Cadet Lawn Tractors, or for other tractors of equivalent size. The trailer is a ruggedly constructed all-steel box equipped with a removable endgate for easy unloading.

It has a volume of approximately 9 cubic feet (.25 m<sup>3</sup>) (level load), with a load capacity of over 1000 pounds (454 kg).

Never fill trailer with sand, gravel or similar material higher than level with the top of the steel sides. Avoid overloading.

The trailer is equipped with 16 x 6.50-8, 2-ply hi-float tubeless tires to cushion the load.

This dump-type trailer has a wide range of uses and is especially adaptable to jobs around small acreage farms and suburban areas.

Proper maintenance will extend the life of your equipment. Lubricate trailer periodically as required. Clean the interior of the trailer after each use. Check the tire pressure regularly.

When in need of parts, always specify the trailer Serial Number. Write this Serial Number in the space provided in the illustration.

## METRIC (SI) MEASUREMENTS

A standard of metric measurement known as International System of Units (SI) has been adopted for world-wide use. English Units followed by Metric Equivalents are used throughout this manual. (Metric Equivalents are given in parenthesis)

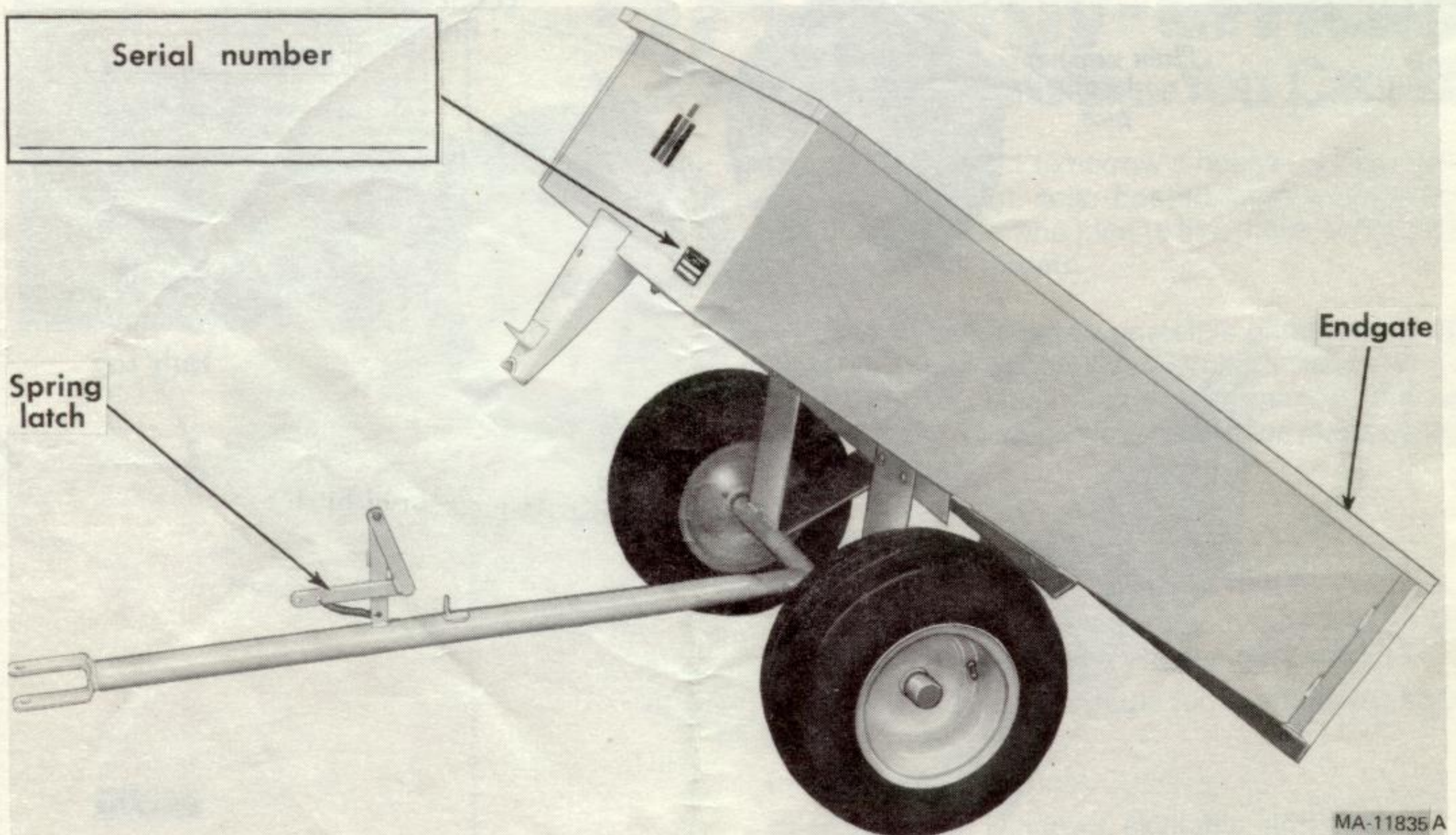
# WORK SAFELY — FOLLOW THESE RULES

To avoid injury, never hitch to or unhitch from tractor while trailer is loaded.

Reduce tractor speed when traveling with heavily loaded trailer or over rough ground.

Always look before driving tractor and trailer backward to avoid injury to bystanders or damage to property.

## OPERATING



### UNLOADING

To dump material from the trailer box, remove the endgate by lifting it straight up and out from between the guides. Release the spring latch by pulling the latch handle forward, away from the trailer box. A cord may be attached to the spring latch handle for easy release by the operator while in the tractor's seat. The trailer box will tilt backward, as illustrated, to empty its contents. After unloading, pull the front of the box down toward the trailer tongue until the latch snaps in place.

Replace endgate if desired.

### LUBRICATION

Every 90 days, lubricate the wheel bushings through the lubrication fitting located on the inner side of the wheel, at the hub. Use IH 251H EP grease or equivalent No. 2 multi-purpose lithium grease.

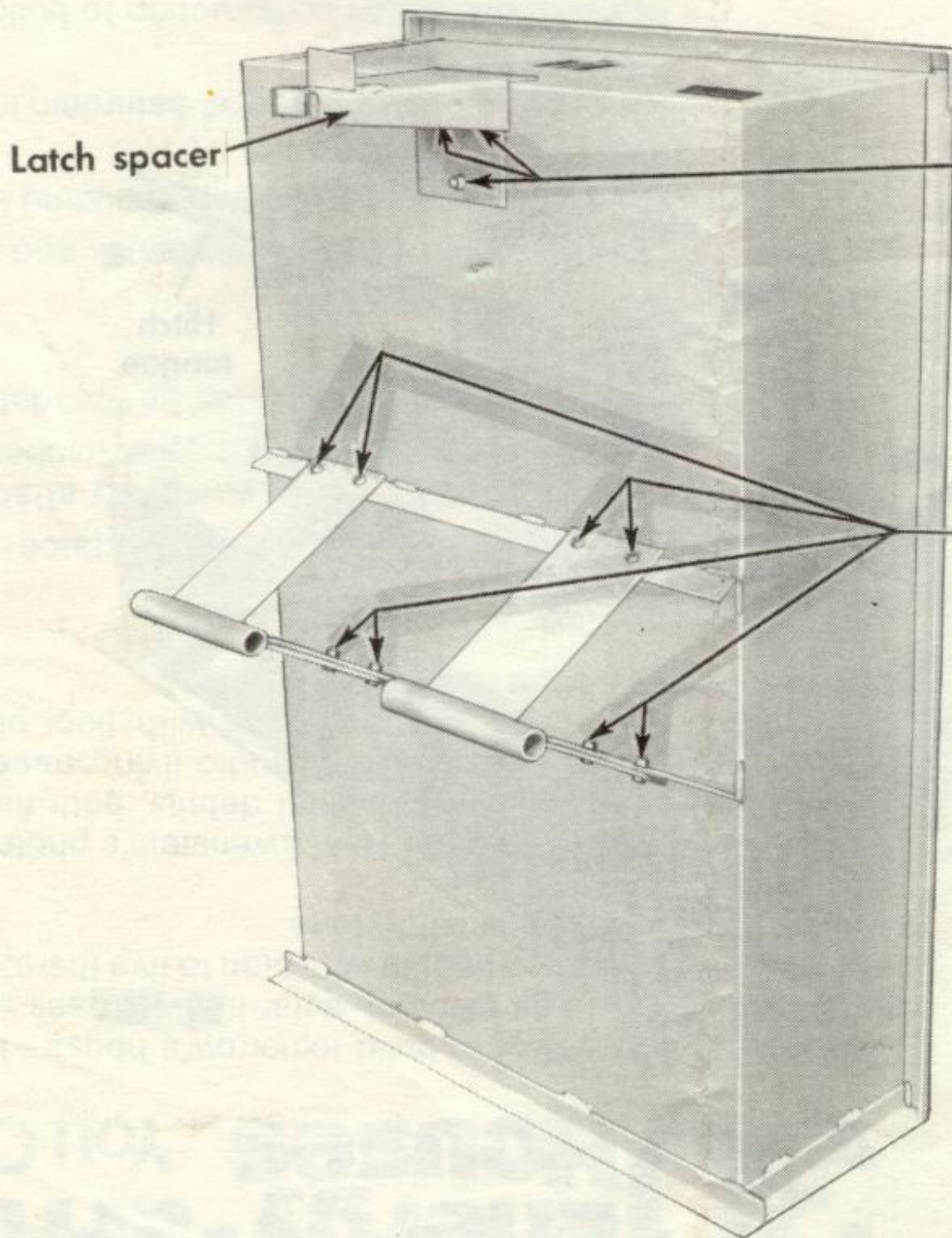
At the beginning of each season, lubricate the latch, latch pivot bolt, and the axle where the hitch tongue pivots, with a light machine oil.

### TIRE INFLATION

The recommended tire pressure is 14 psi (96 kPa).

# SETTING UP

## STEP 1. ATTACHING AXLE SUPPORT AND LATCH SPACER



Latch spacer

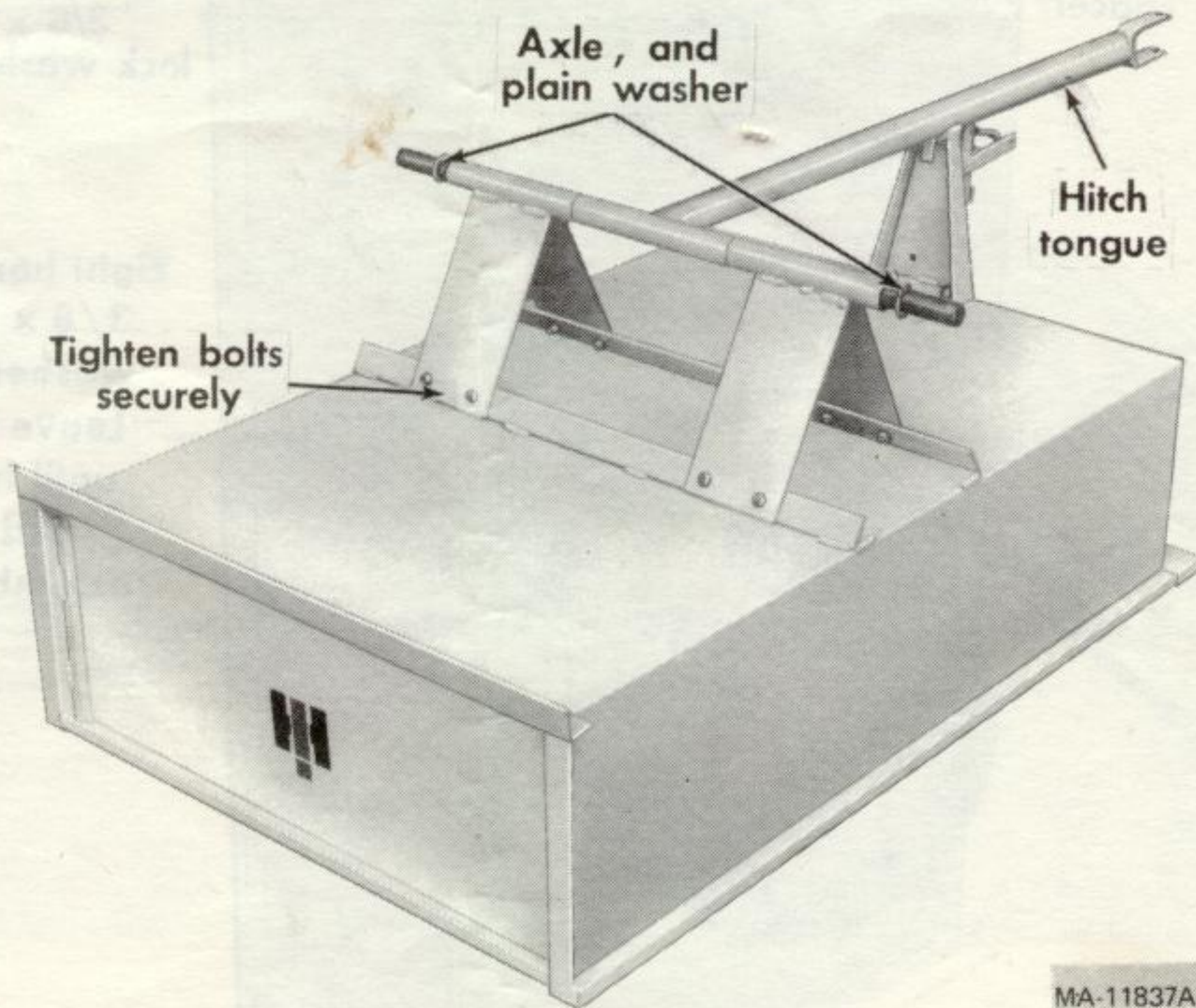
Three truss-head bolts, 3/8 x 3/4-inch, lock washers, and nuts

Eight hex. head bolts, 3/8 x 1-inch, lock washers, and nuts. Leave bolts loose until hitch tongue and axle are assembled in place.

MA-11836 A

## SETTING UP

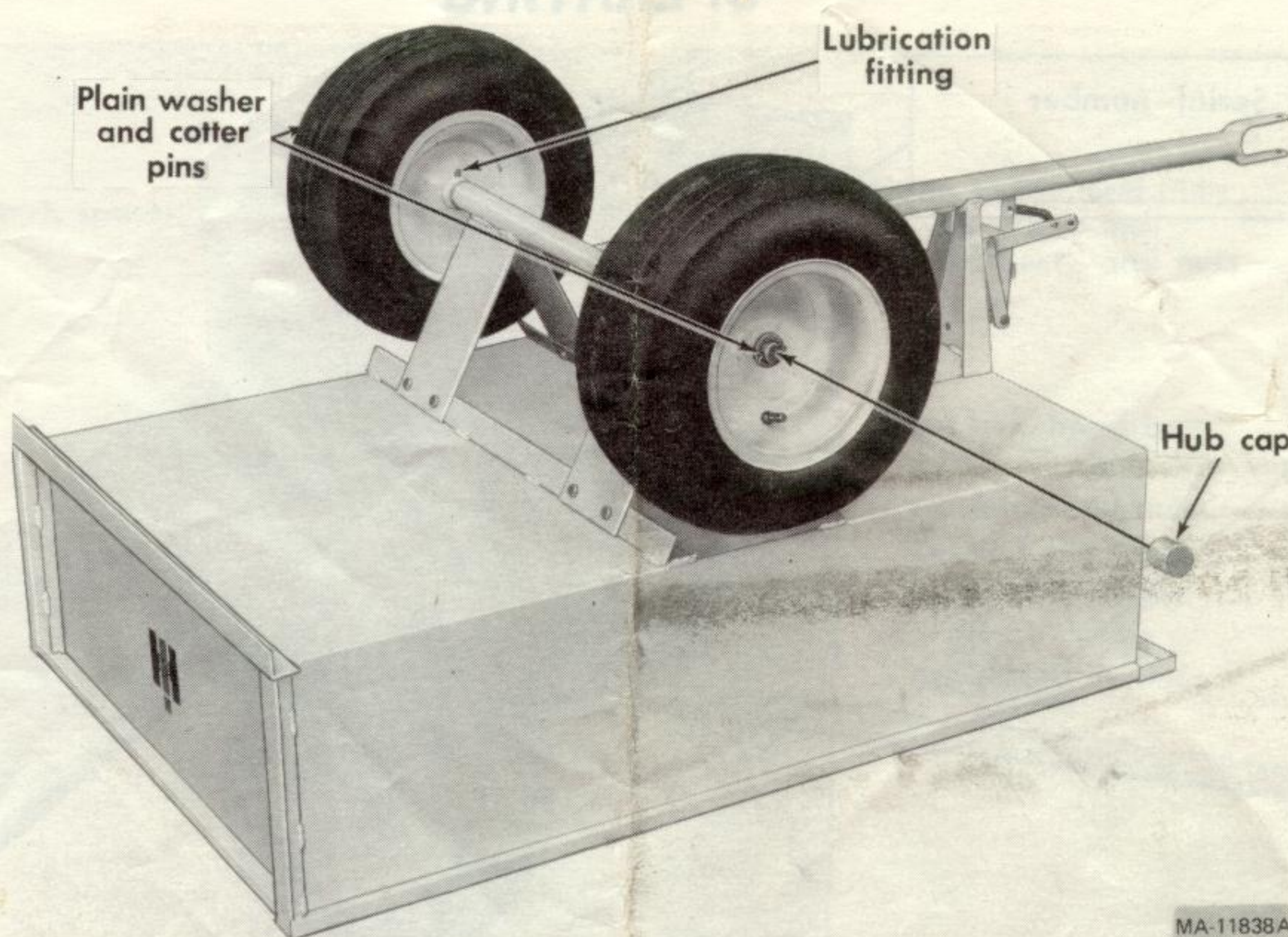
### STEP 2. HITCH TONGUE AND AXLE



MA-11837A

SETTING UP

# STEP 3. WHEELS AND HUB CAPS



MA-11838A