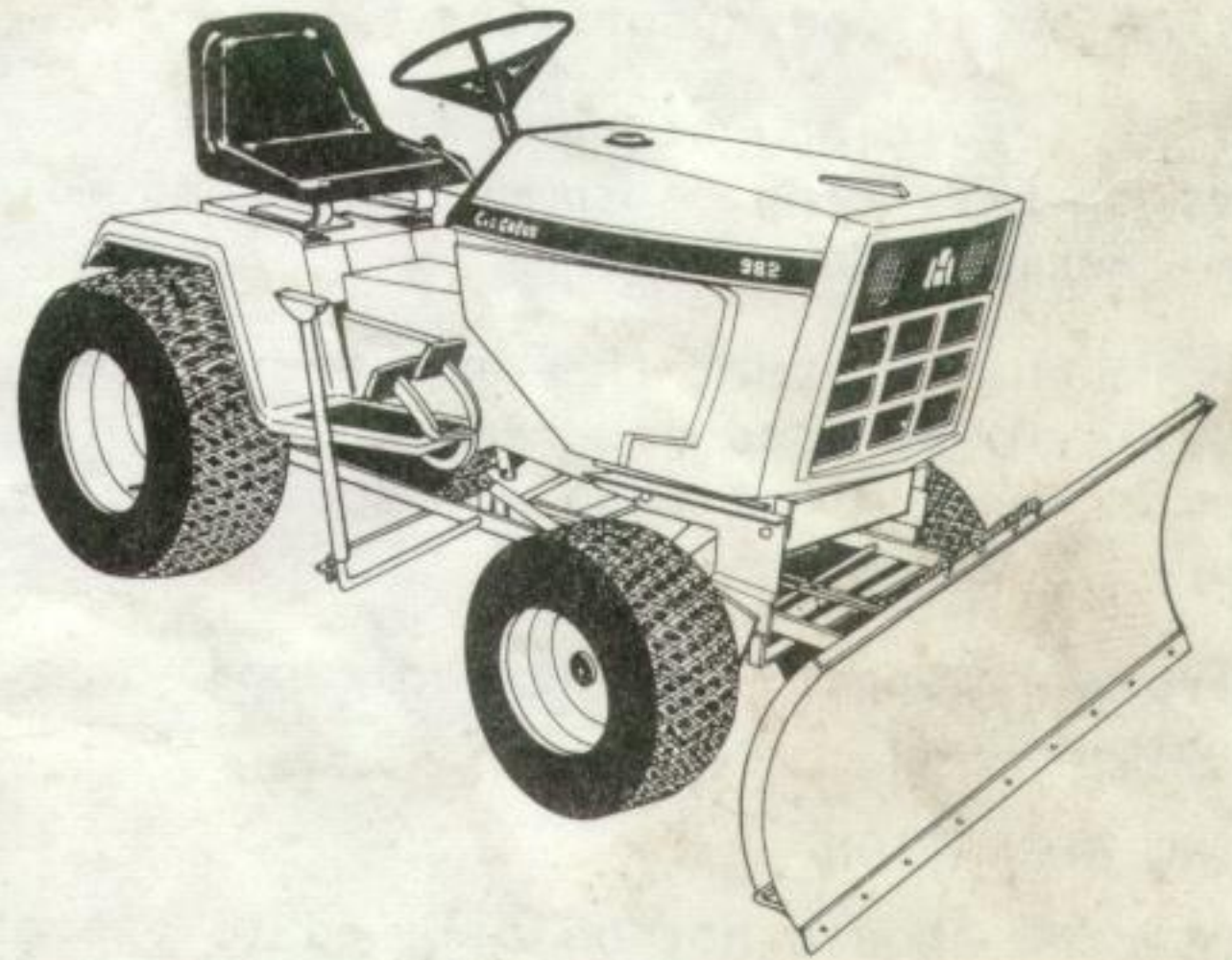


# Cub Cadet

## Owner's Manual

54" SNOW  
DOZER BLADE  
SETTING UP  
INSTRUCTIONS  
and PARTS LIST



### Important:

Read Safety Rules and  
Instructions Carefully

Thank you for purchasing an  
American built product.

Model Number  
190-401-100

## TABLE OF CONTENTS

SET-UP.....	3-8	OPTIONAL EQUIPMENT.....	13
OPERATION INSTRUCTION.....	9-12	REPAIR PARTS.....	14-15

### WORK SAFELY - FOLLOW THESE RULES



Instructions given with this symbol are for personal safety. Be sure you and your workers follow them.

#### BEFORE STARTING



**CAUTION!** Before handling ANY equipment, READ the OPERATOR'S MANUAL.

Misuse or modification of this machine can cause:

- mechanical breakdown,
- property damage,
- injury or death,

Know how to use the controls and how to stop quickly. Read the tractor and implement operator's manuals thoroughly.

Do not operate the equipment while wearing loose clothing such as a scarf, which may be caught in the rotating parts of the machine. Wear sturdy footwear of the type which will improve footing on slippery surfaces.

After servicing, be sure all tools, parts or servicing equipment are removed from the machine.

Thoroughly inspect the area where the blade is to be used and remove all objects which might cause personal injury or damage.

Carefully supervise inexperienced operators.

#### DURING OPERATION

Children should not be allowed to operate the blade unless properly supervised, and are physically and mentally capable of safe operation.

**NO RIDERS!** To prevent injury, do not carry passengers or give rides. Only the operator should ride on the tractor and only in the seat.

When operating the blade be sure you are in the operator's area, sitting on the seat until the operation is complete.

Look behind tractor before backing. Children may run up unnoticed behind a tractor.

Avoid overturns - Do not clear snow across the face of slopes. Exercise extreme caution when changing direction on slopes. Don't attempt to clear steep slopes.

Never operate a tractor at high transport speeds on slippery surfaces. Operate the tractor smoothly - avoid erratic operation and excessive speed. Always maintain control.

Keep the blade in the lowest possible position when changing the angle, reversing, or removing the blade. Be sure that your feet are not under the blade when the adjustments are made.

No person should be allowed near the working area when the blade is being operated.

Check overhead clearance carefully before driving under low hanging tree branches, or other situations where the operator may be struck or pulled from the tractor.

Reduce speed when traveling on rough roads, sharp turns, and down steep hills.

Do not stop or start suddenly when going uphill or downhill to prevent loss of control.

Stop, shut off engine and inspect for damage after striking an object. Repair any damage before restarting and operating the machine.

Do not overload the machine capacity by attempting to clear snow at too fast a rate. Take the time to do the job in a safe manner.

Never operate the blade without good light or visibility.

No one should operate the machine while intoxicated or while taking medication that impairs the senses or reactions.



# Cub Cadet Corporation Limited One Year Warranty For Outdoor Power Products

## **Cub Cadet Corporation's Promise To You**

We promise you, the first user purchaser, that we will replace or repair any part or parts of your new outdoor power product which is defective in material or workmanship without charge for either parts or labor during the first year following delivery to you.

## **What You Must Do**

We recommend that you take the product back to the dealership where you purchased it at your expense; however, you may also take it to the most convenient authorized Cub Cadet dealer. Transportation charges are your responsibility.

## **Replacement Parts Warranty**

Cub Cadet parts which are furnished and installed under this warranty are themselves within the coverage of this warranty for the duration of the original one year warranty period or for ninety days after installation, whichever period shall expire last.

## **What Is Not Covered**

Tires and tubes are not covered by this warranty, but are warranted by their manufacturer. Regular maintenance replacement items such as spark plugs, ignition points, condensers, filters, and lubricants and maintenance adjustments such as fuel system cleaning, engine tune-up, brake and/or clutch inspection or adjustment, when such replacement or adjustments are made as part of normal maintenance service are excluded from coverage. Any non-Cub Cadet product which you may have installed in or upon the product is also excluded.

No person is authorized to give any other warranties or to assume any other liabilities on the Company's behalf unless made or assumed in writing by the Company, and no person is authorized to give any warranties or to assume any liabilities on the seller's behalf unless made or assumed in writing by the seller.

## **Limitations On Our Responsibility**

Please carefully note that this is a two-way agreement. We promise to make free repairs or replacements as stated, but you agree that except for our obligation to make good on this promise we shall not be responsible for any expenses or inconvenience which you might incur or experience with respect to our product, nor shall we be liable for defects, damage, or failures caused by unauthorized alterations, unreasonable use, accident, or abuse, including failure to provide reasonable and necessary maintenance, after our product has been delivered to you. Some states do not allow the exclusion or limitation of incidental or consequential damages, so the above limitation or exclusion may not apply to you. This warranty gives you specific legal rights, and you may also have other rights which vary from state to state.

## **Personal Use**

The foregoing paragraphs constitute Cub Cadet Corporation's entire warranty with respect to any product purchased and used for personal, family, or household purposes as distinguished from commercial usage.

## **Commercial Use**

In the event our product is used for commercial purposes, INCLUDING FARMING OPERATIONS, the following additional limitations upon the application of this warranty will be applicable to such product.

THIS WARRANTY IS IN LIEU OF ALL OTHER WARRANTIES, EXPRESSED OR IMPLIED. WARRANTIES OF MERCHANTABILITY AND FITNESS FOR PARTICULAR PURPOSE ARE EXCLUDED, AS ARE ALL OTHER REPRESENTATIONS TO THE USER-PURCHASER, AND ALL OTHER OBLIGATIONS OR LIABILITIES, INCLUDING LIABILITY FOR INCIDENTAL AND CONSEQUENTIAL DAMAGES, ON THE PART OF THE COMPANY OR THE SELLER.

SAFETY RULES (CONTINUED)

Do not run the engine in confined areas such as storage buildings any longer than is necessary. Move the tractor outside into the air. EXHAUST GASES ARE TOXIC. Opening doors and windows may not provide adequate ventilation.

Be careful to avoid catching the blade on stumps or other immovable objects.

TRANSPORTING

Be sure that the blade is fully raised and is in the straight forward position when in transport.

When turning close to buildings or passing through narrow areas, be sure to allow sufficient clearance for the blade.

AFTER OPERATING

Always wait for the tractor to come to a complete stop, lower blade to the ground and shut off the engine before leaving tractor.

To reduce the possibility of unattended movement of the tractor or its use by unauthorized operators which could result in an accident and injury, shift transmission into neutral, set the parking brake, stop the engine, and remove ignition key when leaving the machine unattended.

SET UP

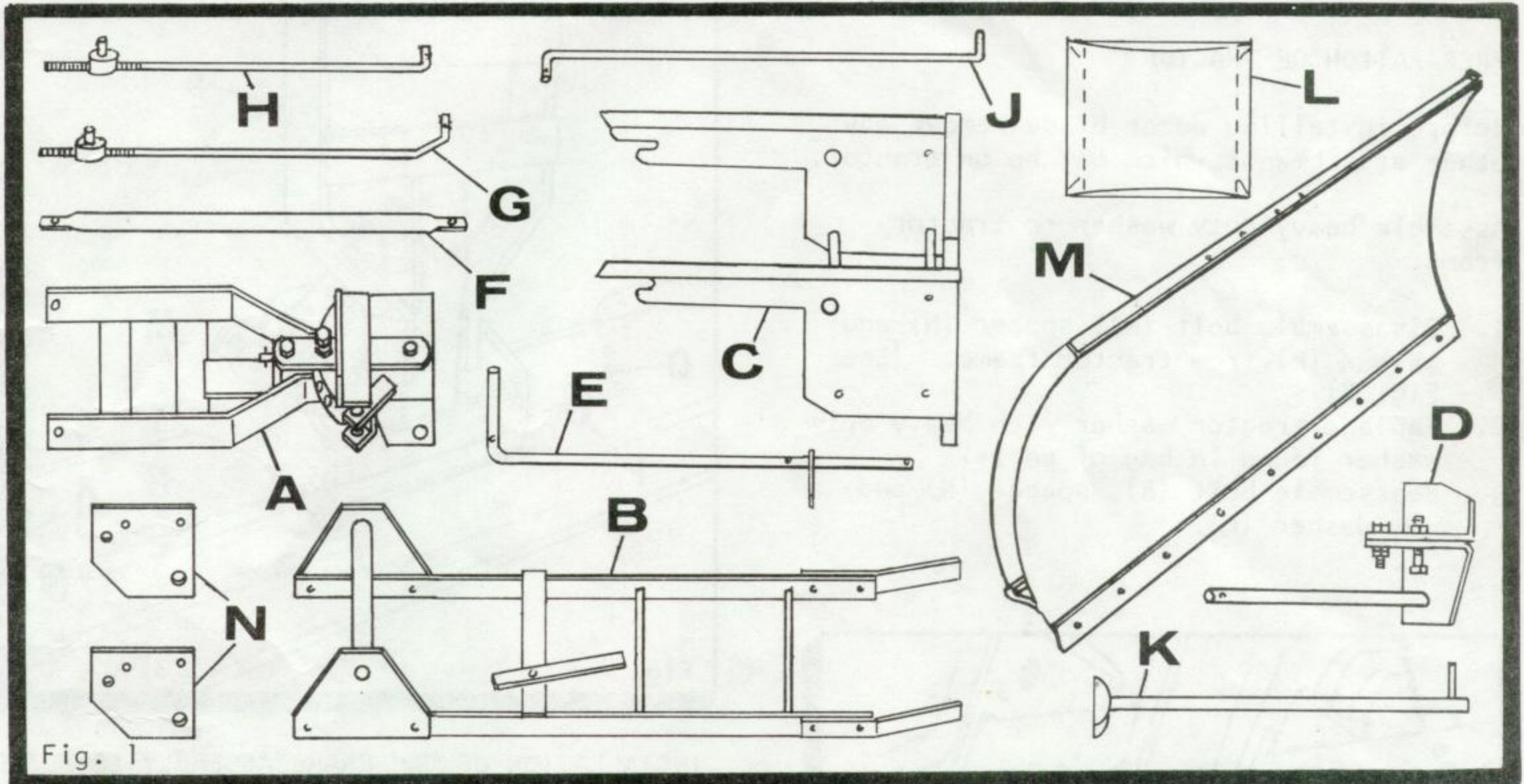


Fig. 1

UNPACKING

Your dozer blade and all necessary parts are packed in two cartons. Unpack the cartons carefully to insure that all parts are present.

The dozer blade attachment consists of the following: (See Fig. 1)

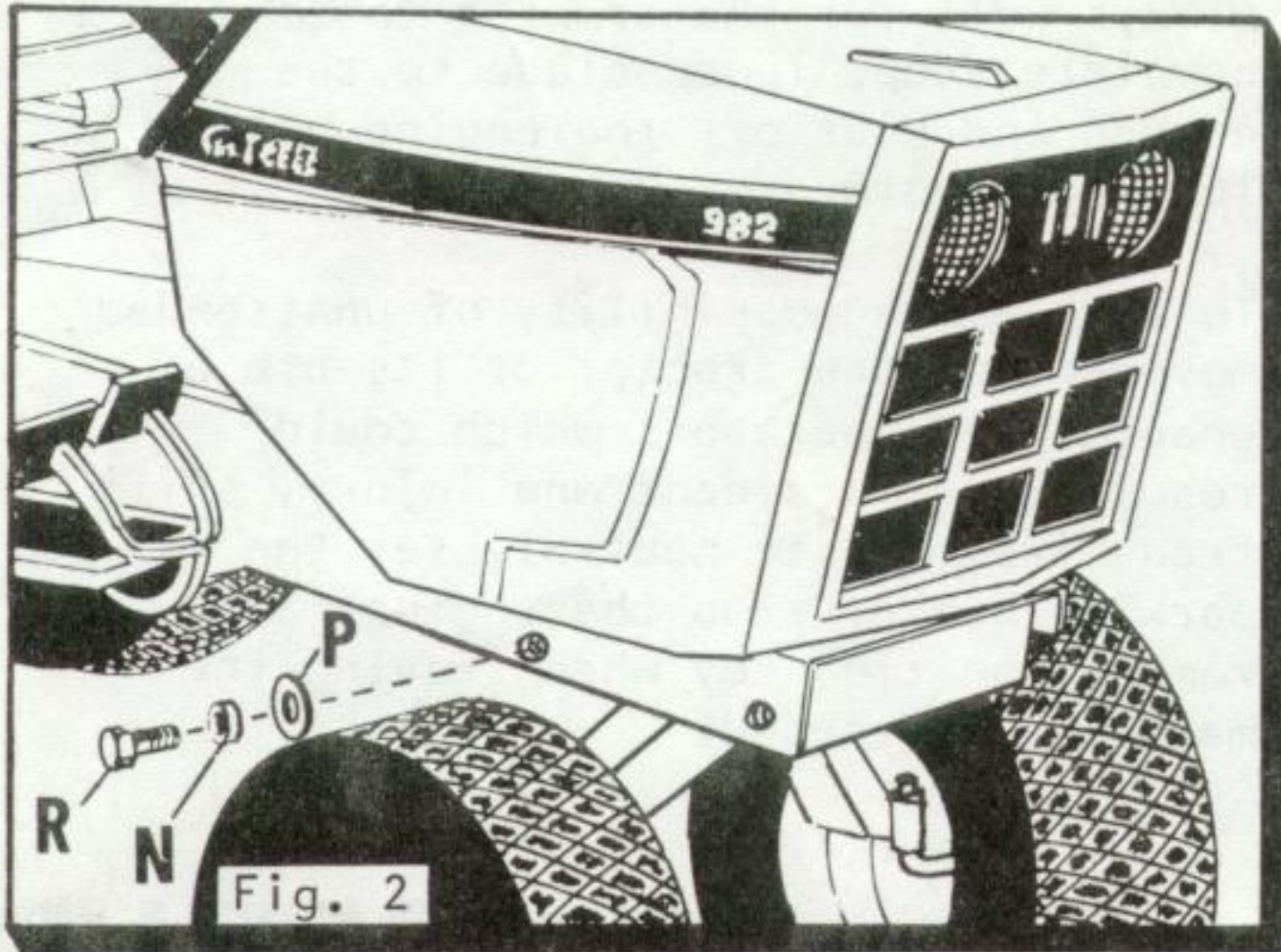
- A. Pivot Box & "A" Frame Assembly
- B. Rear Mounting Frame Assembly
- C. Front Mounting Frame
- D. Lift Bracket Assembly
- E. Pivot Control Arm

- F. Lift Tube
- G. Pin Release Rod
- H. Pivot Control Rod Front
- J. Pivot Control Rod Rear
- K. Pivot Control Handle
- L. Bag of Parts
- M. Dozer Blade
- N. Anchor Plates

Tools needed for assembly are as follows:

1. 3/4" Box End Wrench.....2
2. Large Pair of Pliers.....1

# SET UP

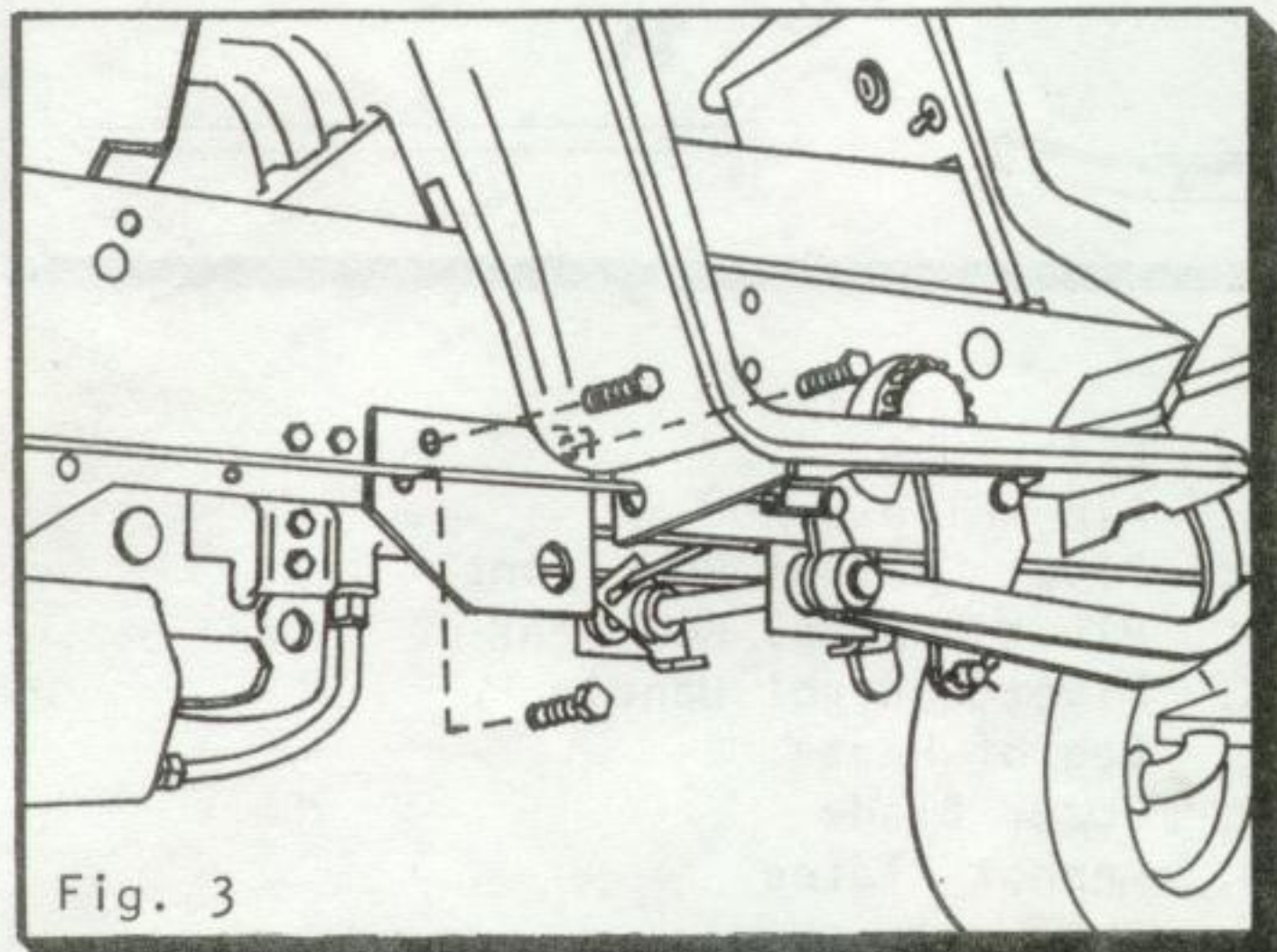


## PREPARATION OF TRACTOR

Before installing dozer blade remove any other attachments which may be on tractor.

Assemble heavy duty washer to tractor frame.

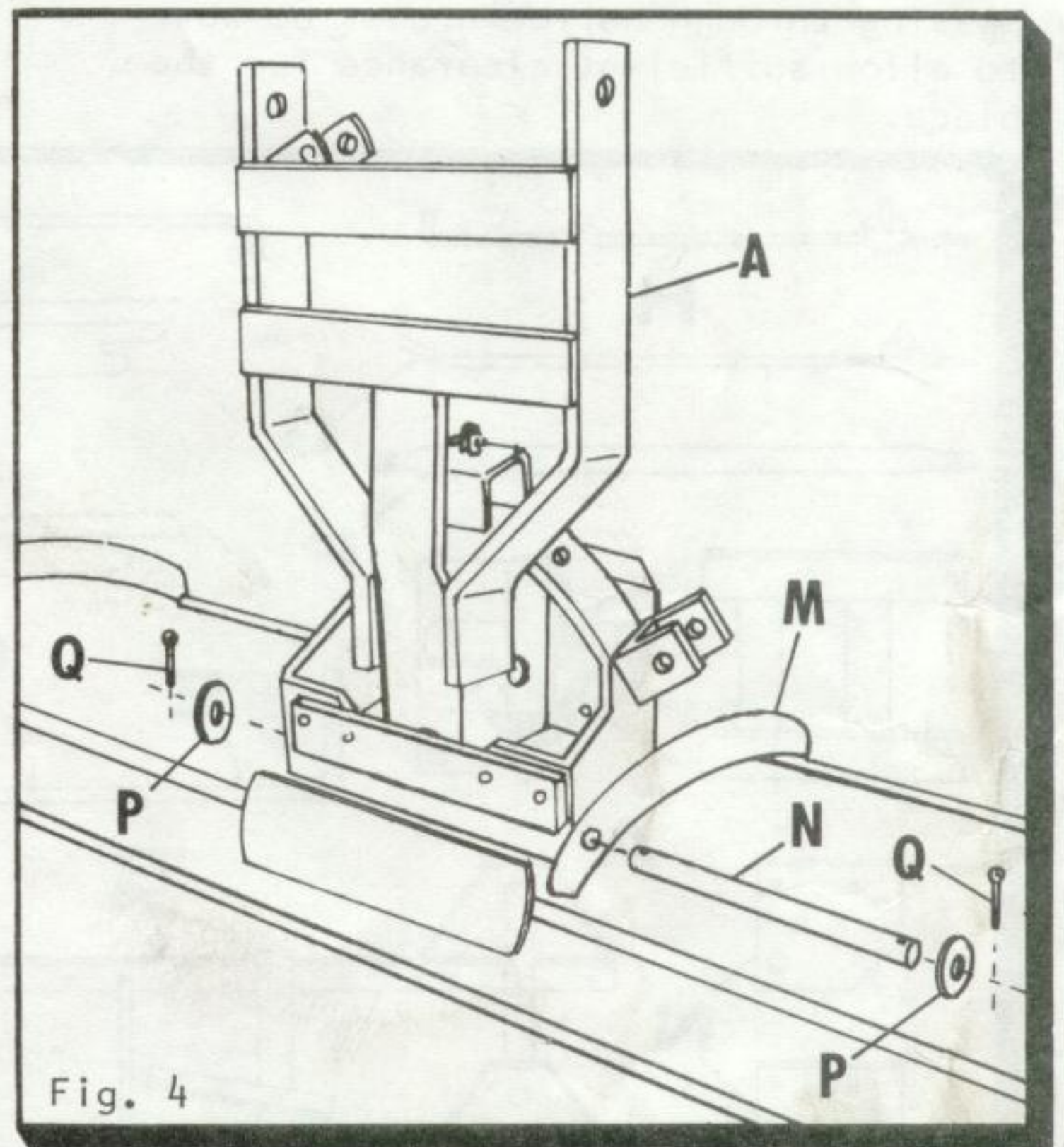
1. Disassemble bolt (R), spacer (N) and washer (P) from tractor frame. (See Fig. 2)
2. Replace tractor washer with heavy duty washer found in bag of parts.
3. Reassemble bolt (R), spacer (N) and new washer (P).



## INSTALLATION OF ANCHOR PLATES TO TRACTOR

Assemble anchor plate to each side of tractor using two 3/8" hex bolts with lock washers and nuts, and one 1/2" hex bolt with lock washer and nut. All are found in bag of parts.

1. Assemble anchor plate (A) to tractor frame (B) with two bolts (C) with lock washers and nuts, and one bolt (D) with lock washer and nut. (See Fig. 3)
2. Secure bolts tightly, then assemble other anchor plate (A) to opposite side of tractor in the same manner.



## INSTALLATION OF "A" FRAME ASSEMBLY TO DOZER BLADE

Assemble "A" frame assembly to dozer blade with locating pin, two washers and two cotter pins. (Found assembled in dozer blade)

1. Lay dozer blade (M) face down on ground. (See Fig. 4)
2. Slide "A" frame assembly (A) into pocket on dozer blade (M).
3. Align holes and slide locating pin (N) through.
4. Secure locating pin (N) to dozer blade (M) with washers (P) and cotter pin (Q).

# SET UP

## INSTALLATION OF PIVOT CONTROL ARM TO REAR MOUNTING FRAME ASSEMBLY

Assemble pivot control arm to rear mounting assembly with two cotter pins found in bag of parts.

1. Assemble pivot control arm (E) to rear mounting frame (B). (See Fig. 6)
2. Secure with two cotter pins (N).

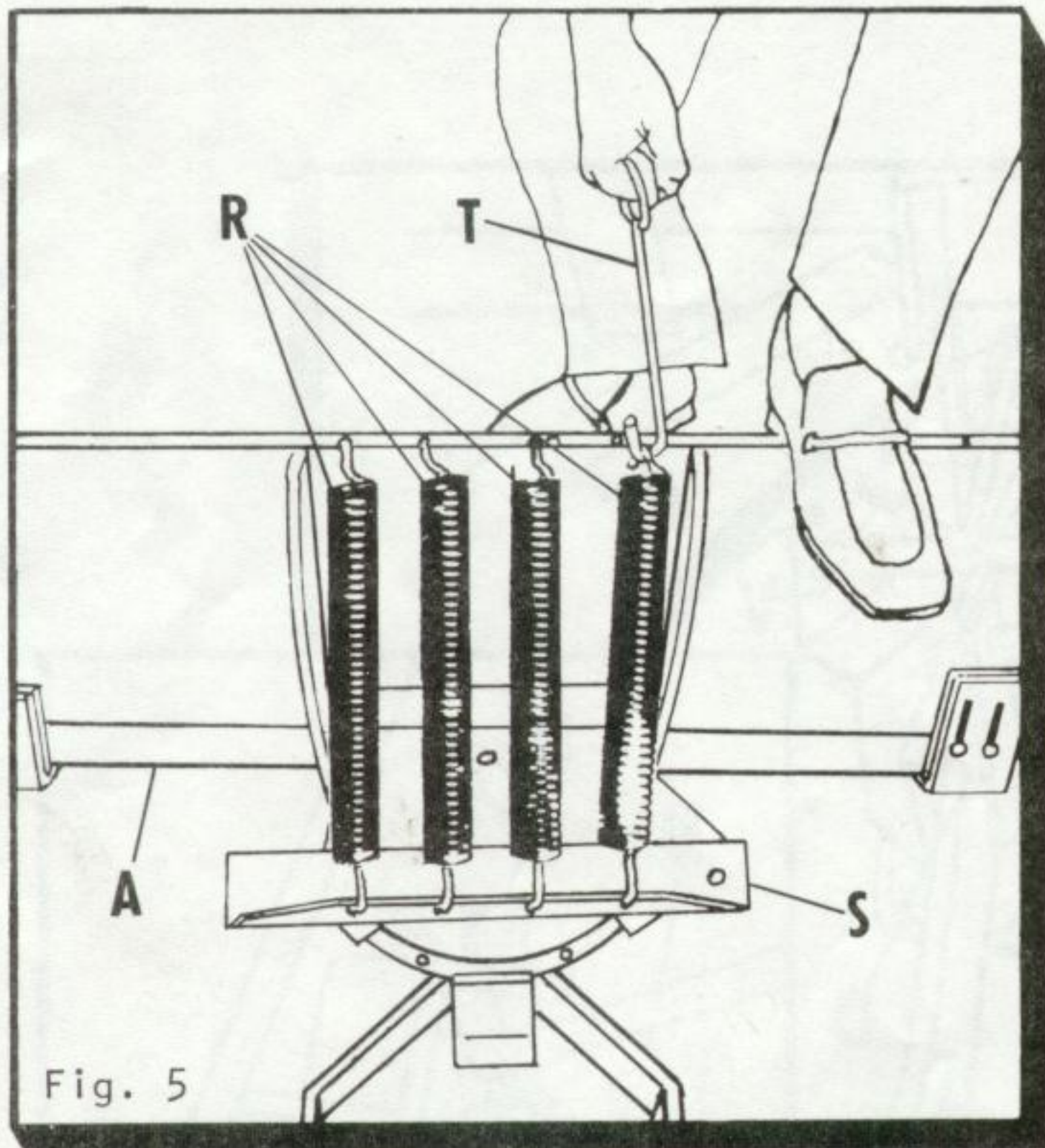


Fig. 5

## INSTALLATION OF TILT SPRINGS TO DOZER BLADE

Assemble springs to dozer blade using special hook furnished with unit.

1. Place dozer blade (M) up right on ground. (See Fig. 5)
2. Assemble four springs (R) to spring anchor (S).
3. Using special hook (T) place foot on dozer blade (A) stretch spring (R) and hook it into hole on top of dozer blade (A).

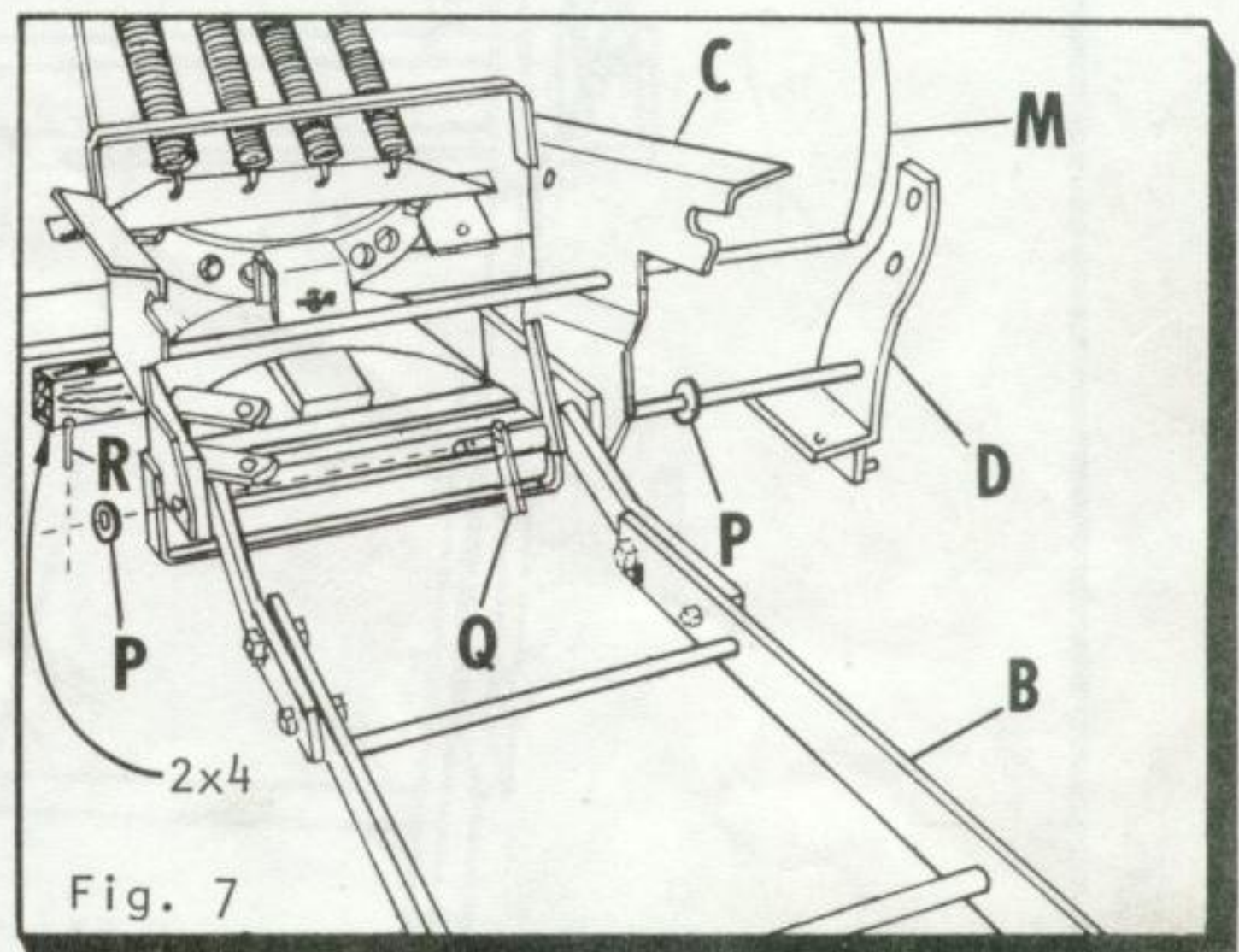


Fig. 7

## INSTALLATION OF FRONT MOUNTING FRAME, REAR MOUNTING FRAME AND DOZER BLADE

Assemble front mounting frame and rear mounting frame to dozer blade using two washers and one cotter pin found in bag of parts.

NOTE: Set unit on 2 x 4 board approximately 12" long for this operation in setup. (See Fig. 7)

1. Place front mounting frame (C), rear mounting frame (B) and dozer blade (M) together as shown in Fig. 7.
2. Assemble washer (P) onto lift arm assembly (D).
3. Slide lift arm assembly (D) through on side.
4. Assemble bell crank (Q) onto lift arm assembly (D) with short leg to inside of frames.
5. Slide lift arm assembly (D) through other side of frames.
6. Secure with washer (P) and cotter pin (R).

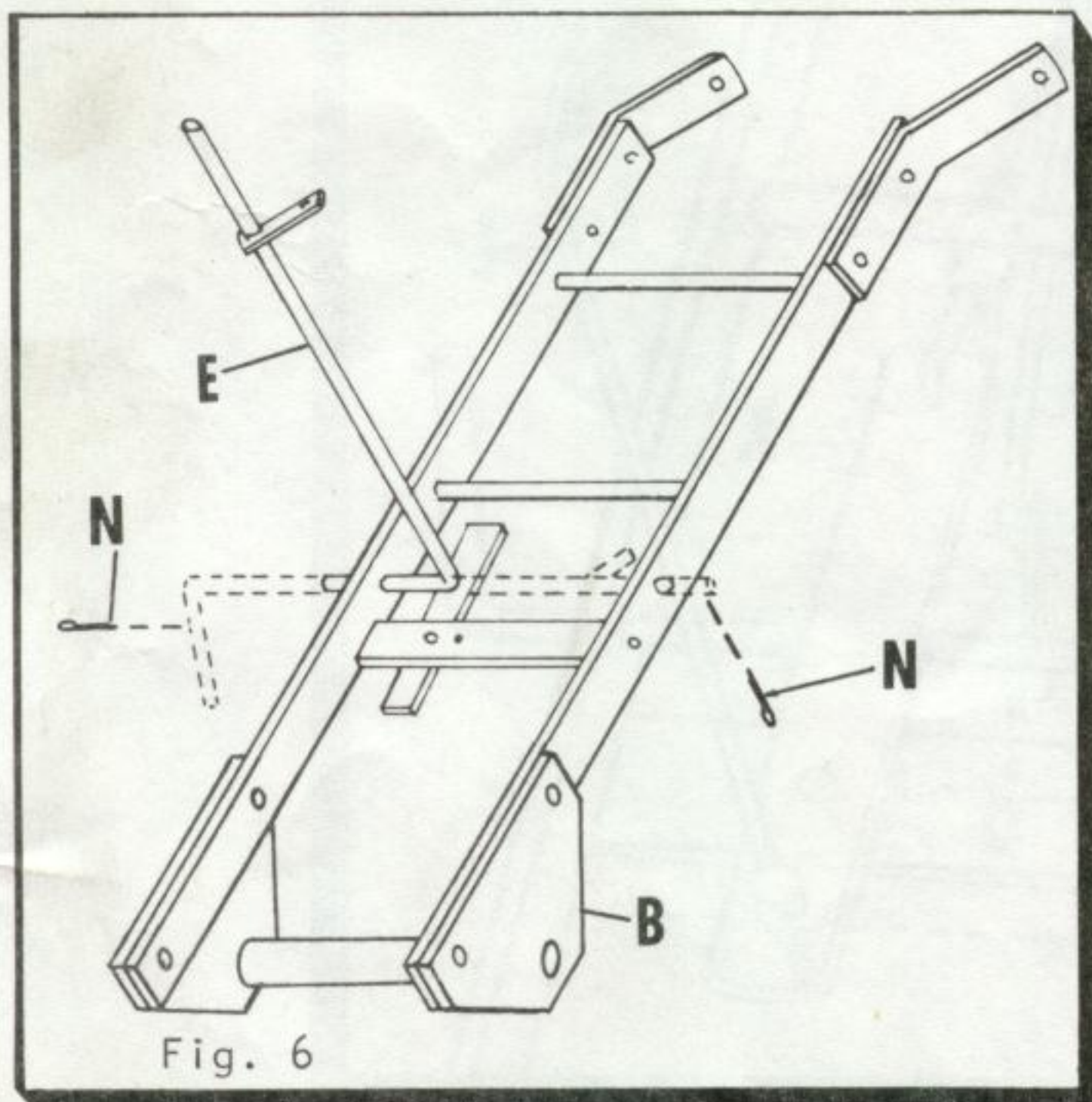


Fig. 6

# SET-UP

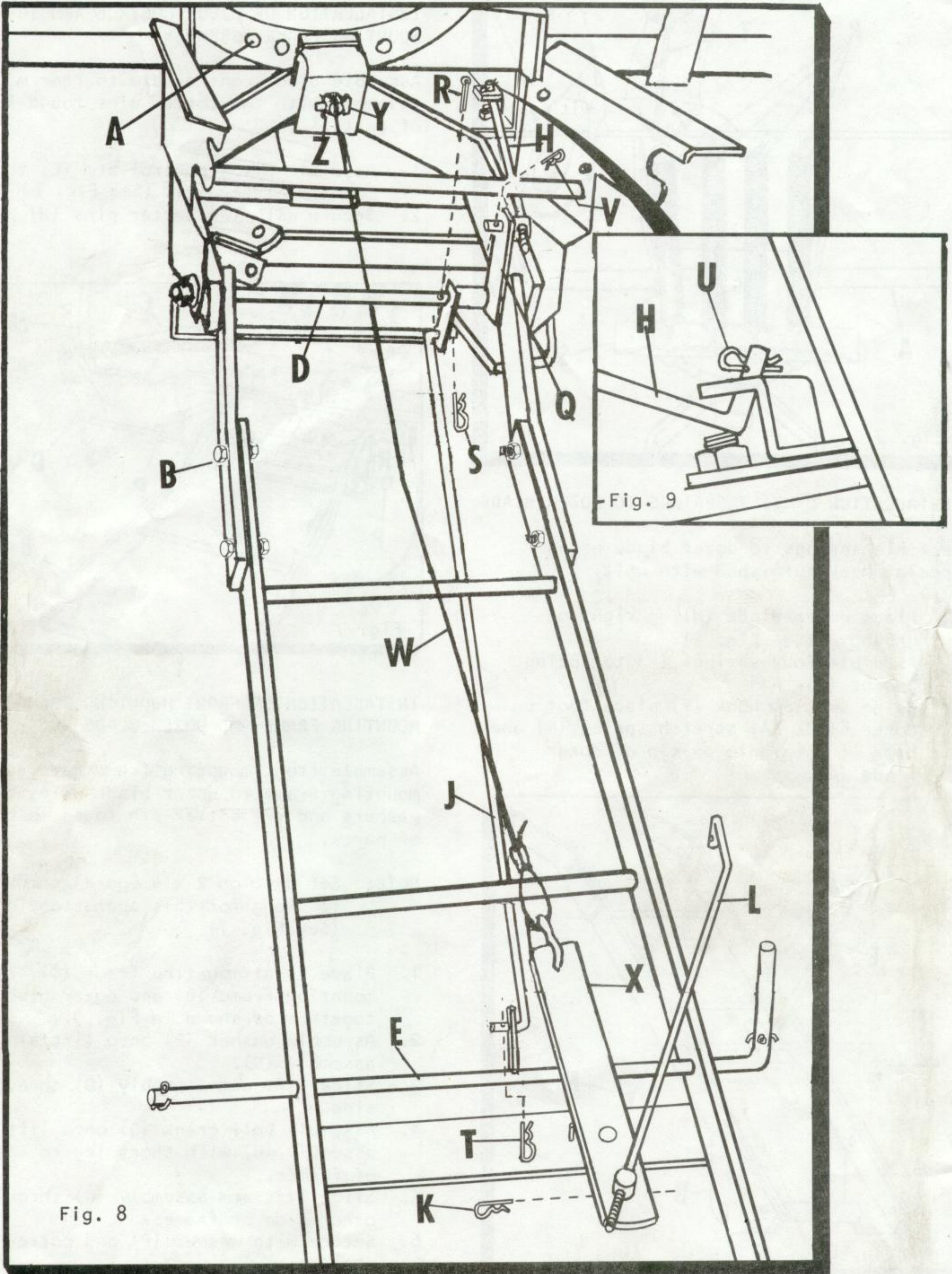


Fig. 8

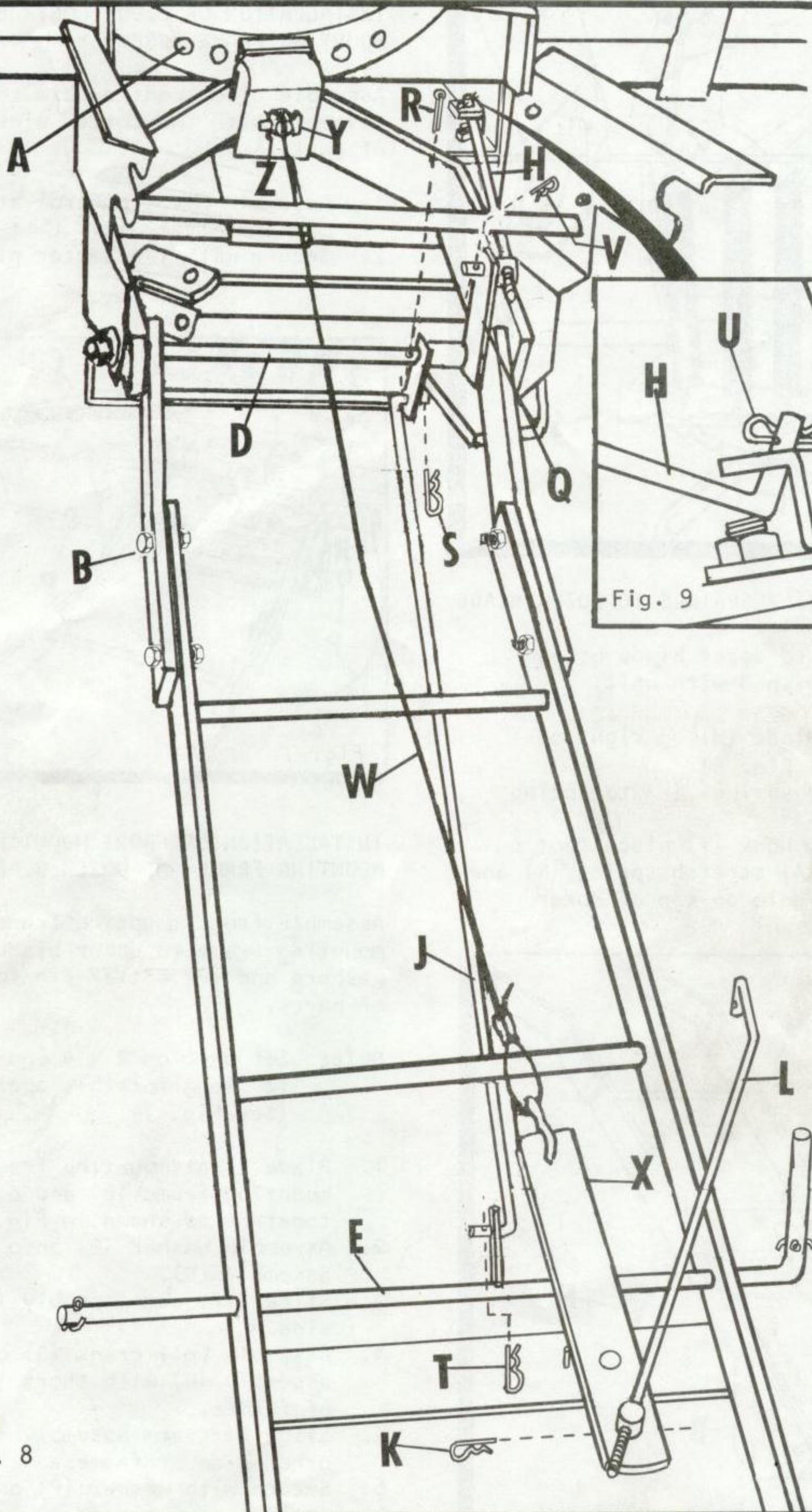


Fig. 8

Fig. 9



# SET UP

## INSTALLATION OF REAR PIVOT ROD

Assemble rear pivot rod to dozer with two hair cotter pins found in bag of parts.

Assemble rear pivot rod to dozer with two hair cotter pins found in bag of parts.

1. Secure bell crank (Q) to lift bracket assembly (D) with cotter pin (R). (See Fig. 8)
2. Assemble rear pivot rod (J) under rear mounting frame assembly (B).
3. Assemble rear pivot rod (J) to bell crank (Q) and secure with hair cotter pin (S).
4. Assemble rear pivot rod (J) to pivot control arm (E) and secure with hair cotter pin (T).

## INSTALLATION OF FRONT PIVOT ROD

Assemble front pivot rod to tractor with two hair cotter pins found in bag of parts.

1. Assemble hooked end of front pivot rod (H) to "A" frame assembly (A) and secure with hair cotter pin (U). (See Fig. 8 & 9)
2. Assemble threader end with anchor of front pivot rod (H) to bell crank (Q) and secure with hair cotter pin (V).

## INSTALLATION OF PIN RELEASE CABLE

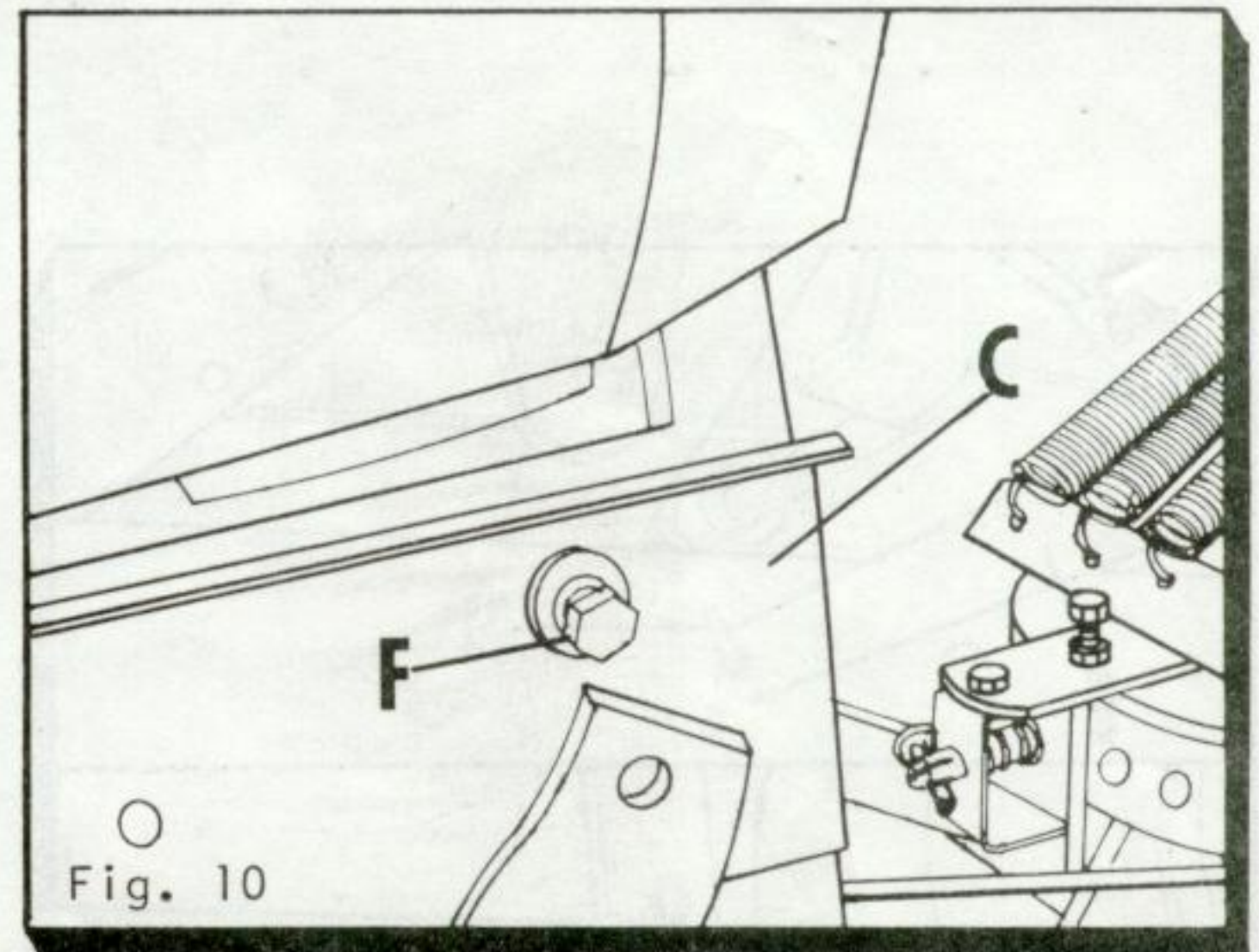
Assemble pin release cable with one clevis pin and one hair cotter pin found assembled in "A" frame assembly. (See Fig. 8)

1. Assemble hooked end of pin release cable (W) to pivot strap (X).
2. Assemble pin release cable (W) over rear mtg. frame (B) and under lift brkt. assy. (D).
3. Secure with clevis pin (Y) and hair cotter pin (Z).

## INSTALLATION OF PIN RELEASE ROD

Assemble pin release rod to pivot strap with one hair cotter pin found in bag of parts.

1. Assemble threaded end with anchor of pin release rod (L) to pivot strap (X). (See Fig. 8)
2. Secure with hair cotter pin (K).

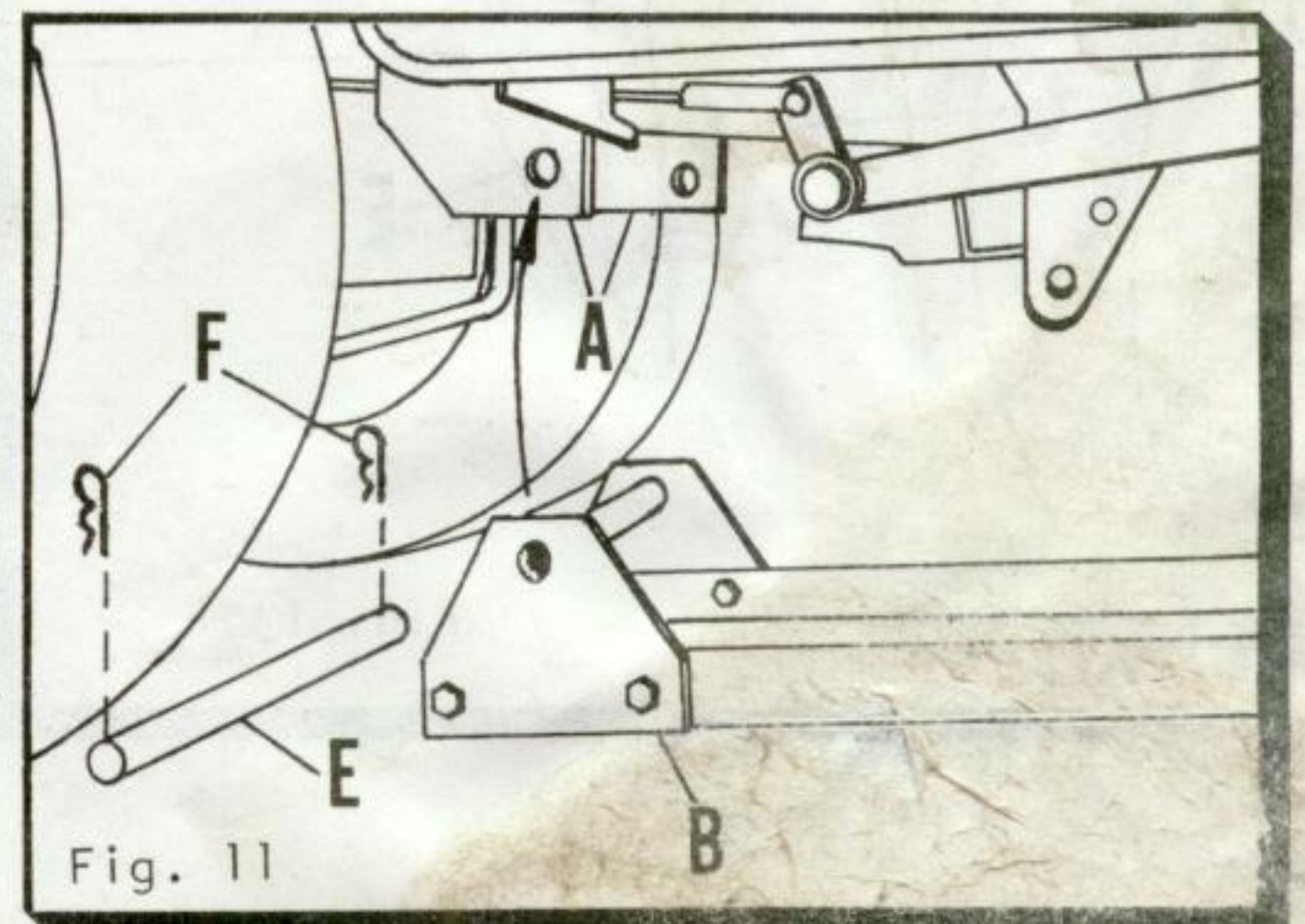


## INSTALLATION OF DOZER BLADE TO TRACTOR

Assemble dozer blade to front of tractor using two hex bolts, two flat washers, and two lock washers found in bag of parts.

Assemble dozer blade to rear of tractor using one locating pin found loose, and two hair cotter pins found in bag of parts.

1. Roll tractor over dozer blade rear mtg. frame (B).
2. Lift up on front mtg. frame and snap into tractor quick hitch.
3. Secure front mounting frame (C) to tractor with bolt, flat washer and lock washer (F). (See Fig. 10)
4. Lift rear of mounting frame (B) to align holes of mounting frame with holes in anchor plates (A). (See Fig. 11)
5. Slide locating pin (E) through holes in anchor plates and mounting frame.
6. Secure locating pin (E) with hair cotter pin (F) at each end.



# SET-UP

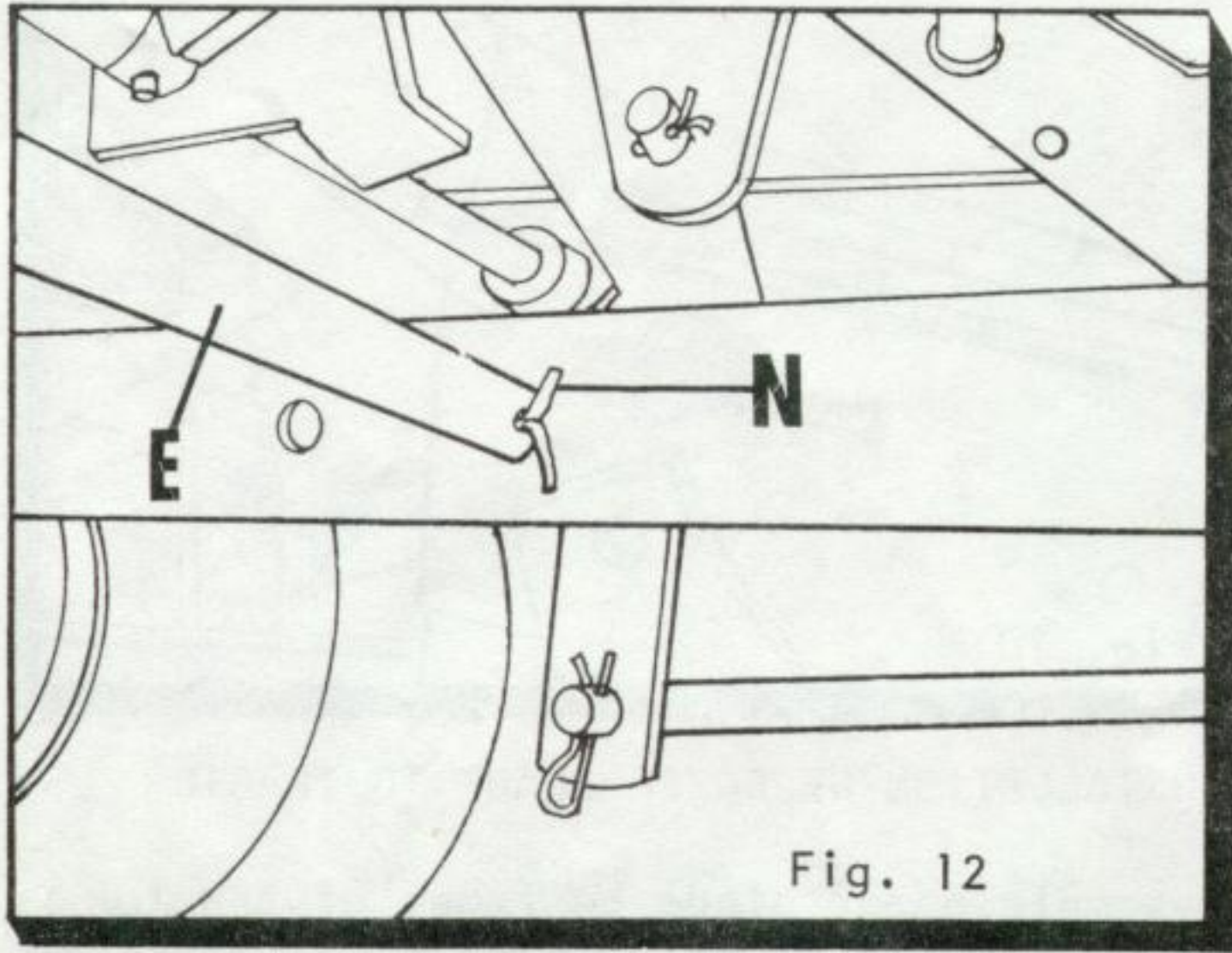


Fig. 12

## SECURE PIVOT CONTROL ARM

To secure pivot control arm to dozer frame use one cotter pin found in bag of parts.

1. Pull pivot control arm (E) as far to the right hand side of tractor as possible. (See Fig. 12)
2. Secure with cotter pin (N).

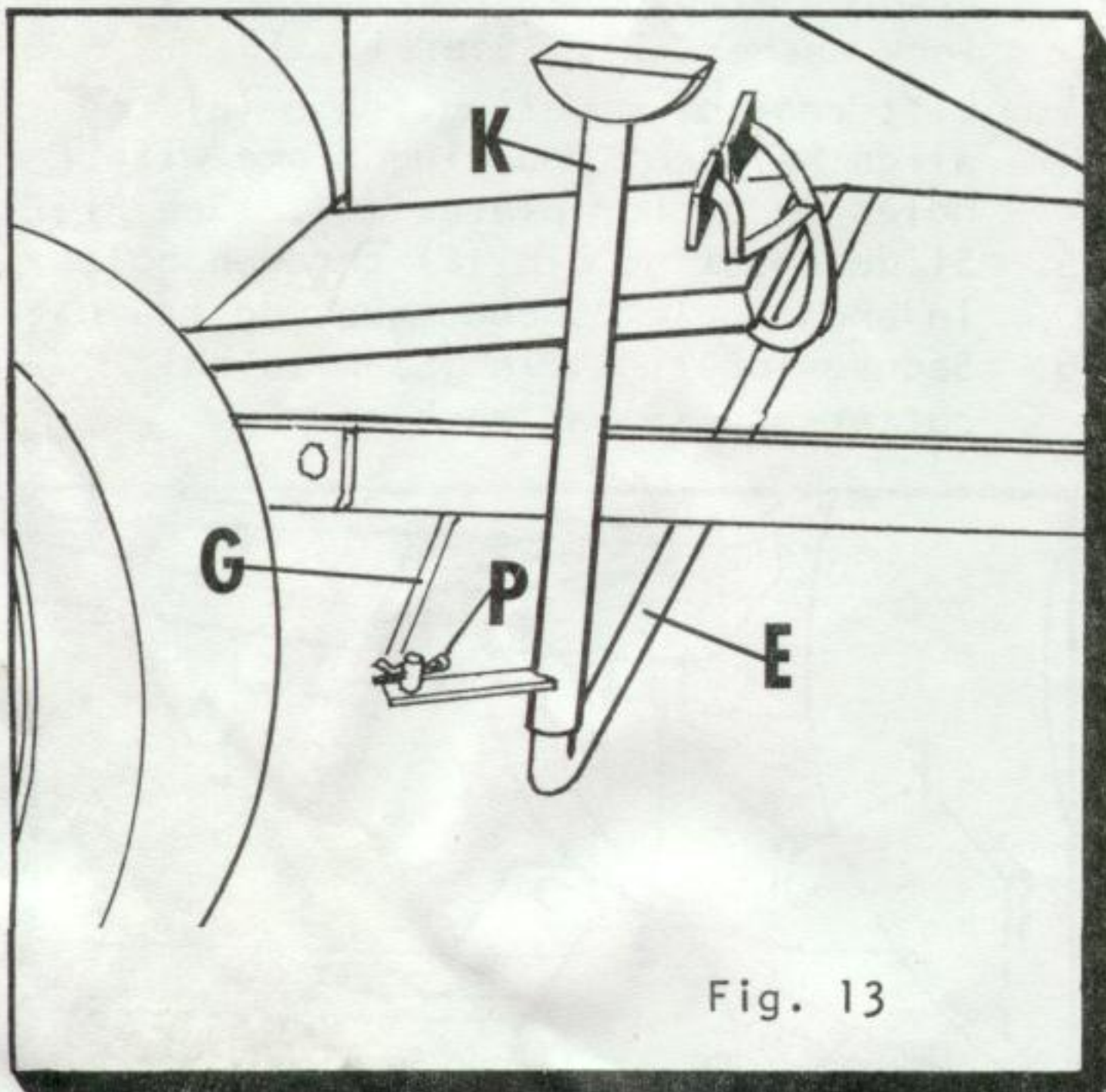


Fig. 13

## INSTALLATION OF PIVOT CONTROL HANDLE

1. Slide pivot control handle (K) over pivot control arm (E). (See Fig. 13)

## INSTALLATION OF PIN RELEASE ROD TO PIVOT CONTROL HANDLE

Assemble pin release rod to pivot control handle with one hair cotter pin found in bag of parts.

1. Assemble pin release rod (G) into hole on pivot control handle (K). (See Fig. 13)
2. Secure with hair cotter pin (P).

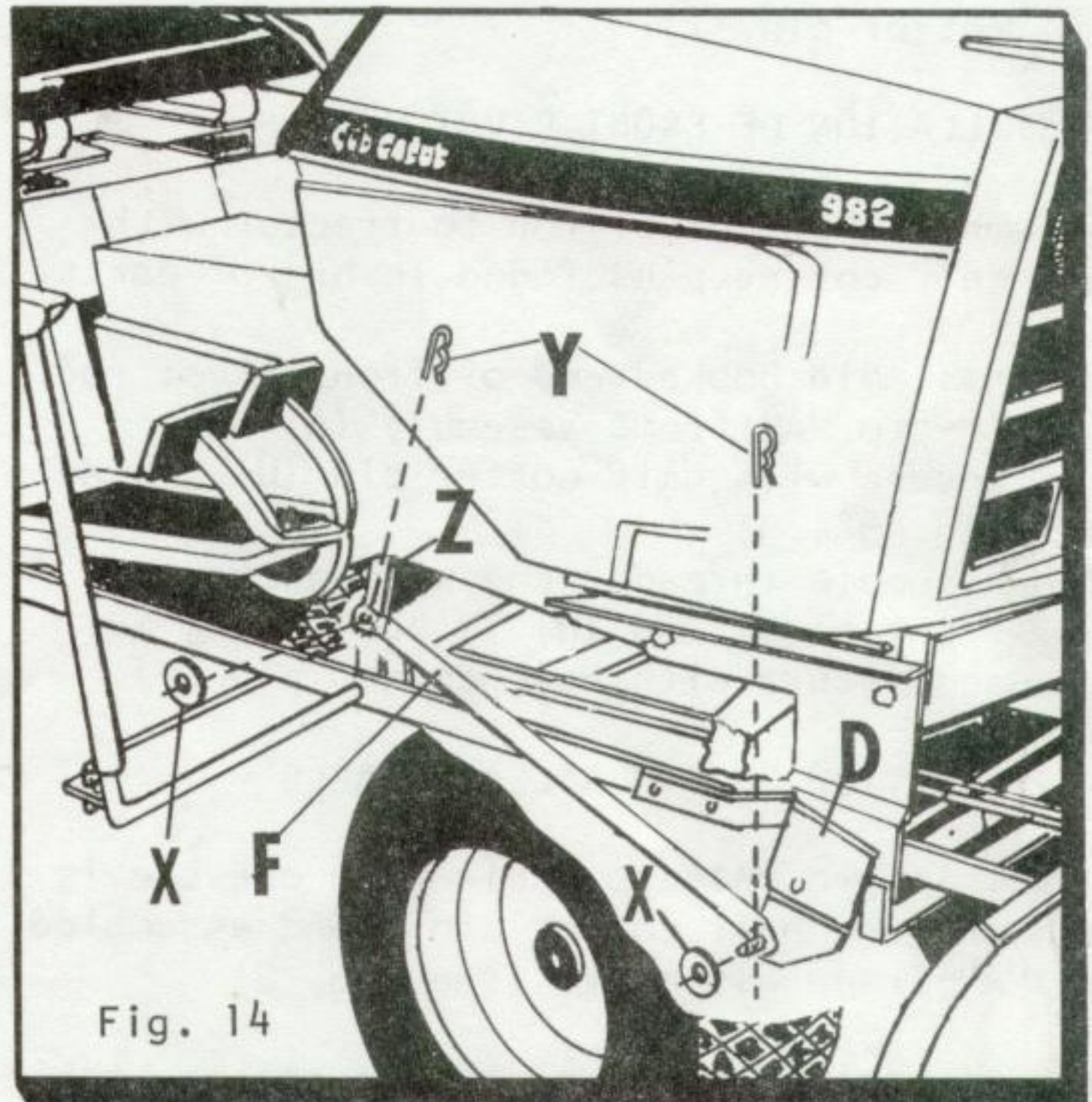


Fig. 14

## INSTALLATION OF LIFT TUBE

Assemble lift tube using two washers and two hair cotter pins found in bag of parts.

1. Assemble lift tube (F) onto tractor lift bracket (Z) and secure with washer (X) and with hair cotter pin (Y). (See Fig. 14)
2. Assemble lift tube (F) onto lift bracket assembly (D) and secure with washer (X) and with hair cotter pin (Y).

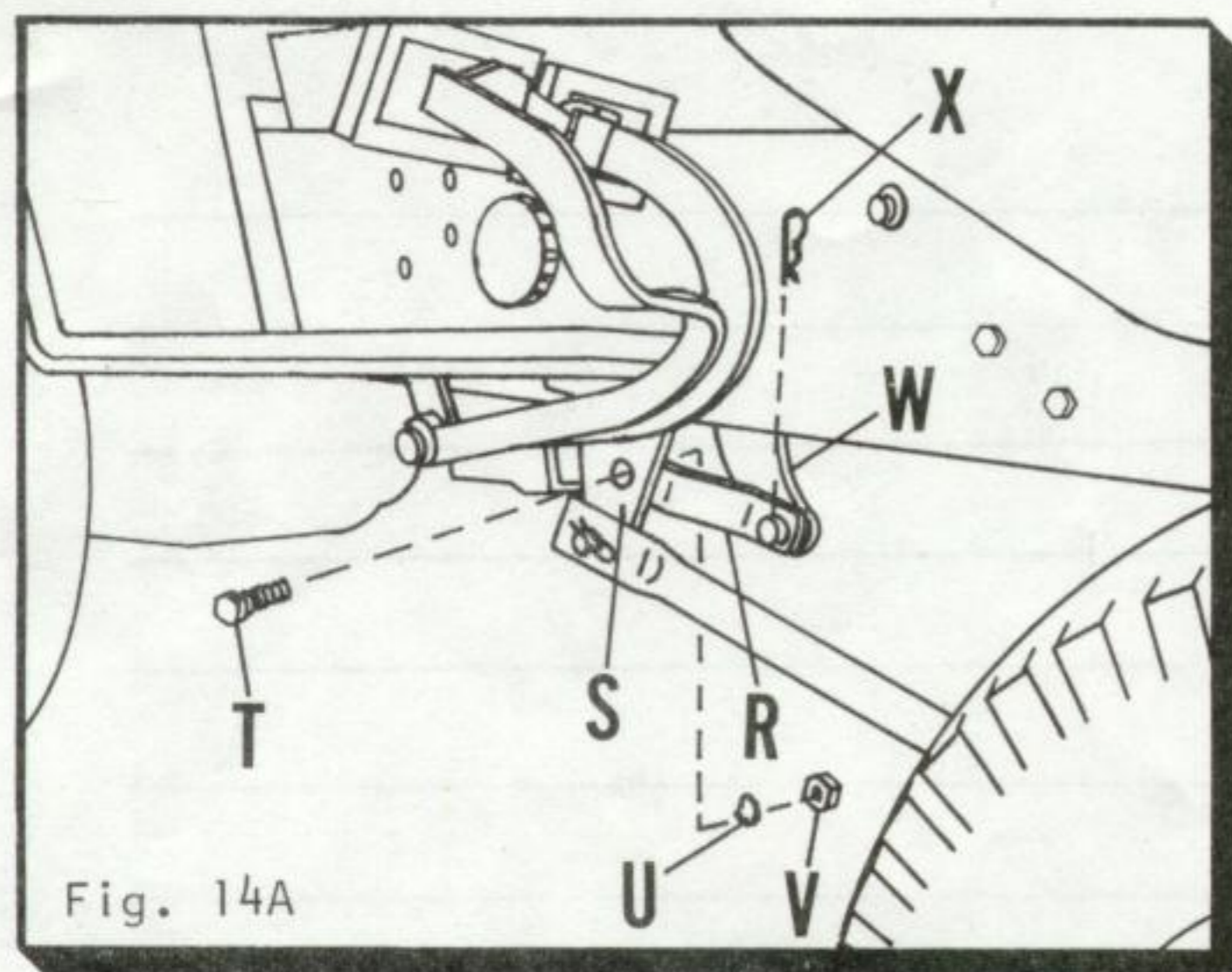


Fig. 14A

## INSTALLATION OF CROSS SHAFT SUPPORT STRAP

Install cross shaft support strap using bolt, lock washer, nut and hair cotter pin found in bag of parts.

1. Fasten cross shaft support strap (R) loosely to tractor lift bracket (S) with bolt (T), lock washer (U), and nut (V). (See Fig. 14A)
2. Slip other end of cross shaft support strap (R) onto peg on end of tractor cross shaft lever (W).
3. Secure cross shaft support strap (R) to tractor cross shaft lever (W) with hair cotter pin (X).
4. Tighten bolt (T), lock washer (U), and nut (V) holding cross shaft support shaft (R) to tractor lift bracket (S).

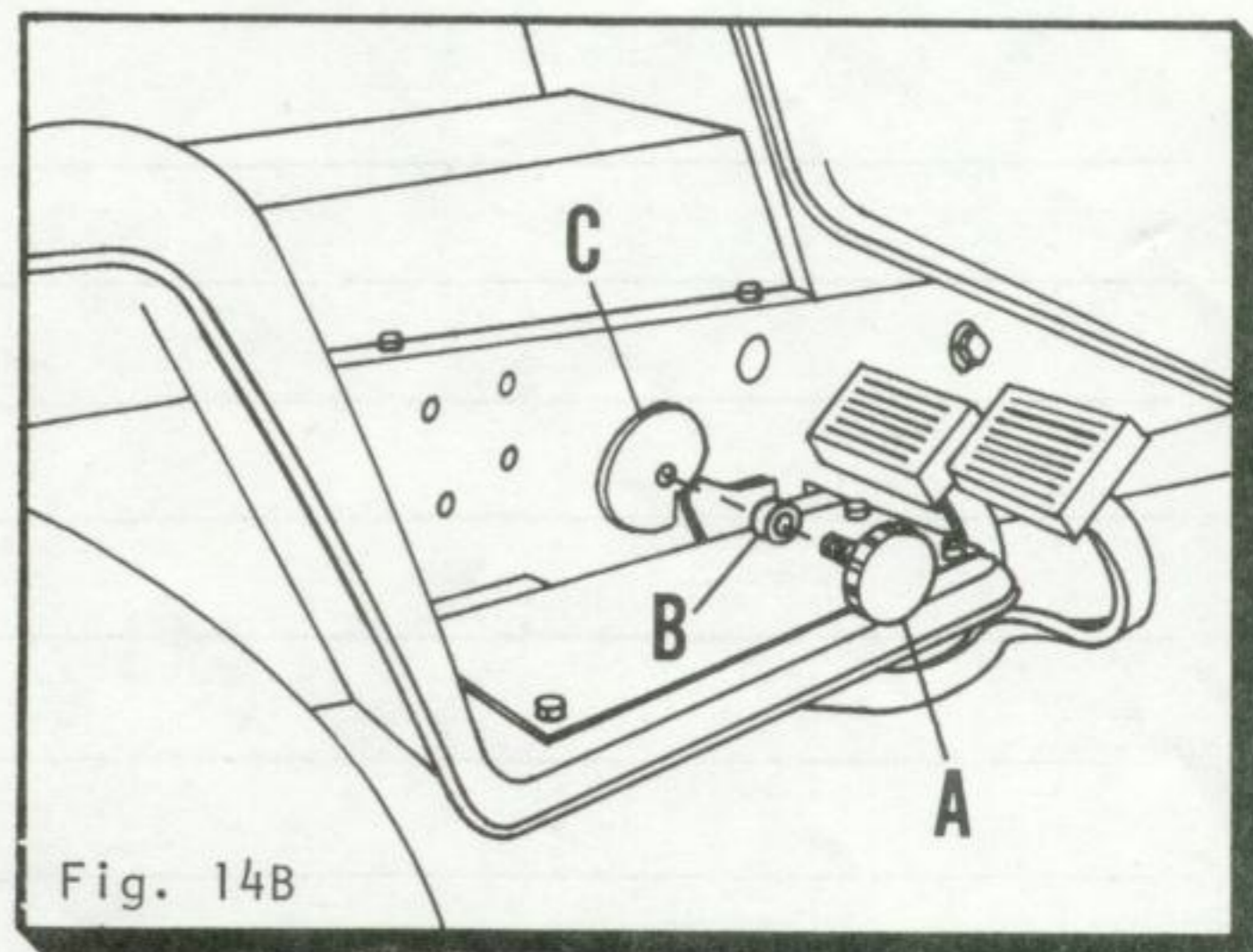


Fig. 14B

## INSTALLATION OF TRACTOR LIFT KNOB SPACER

1. Unscrew and remove lift knob (A).
2. Place lift knob spacer (B) onto threads of lift knob (A). (See Fig. 14B)
3. Screw lift knob (A) back into tractor, adjust cam stop (C) to desired position and tighten lift knob (A).



# OPERATION

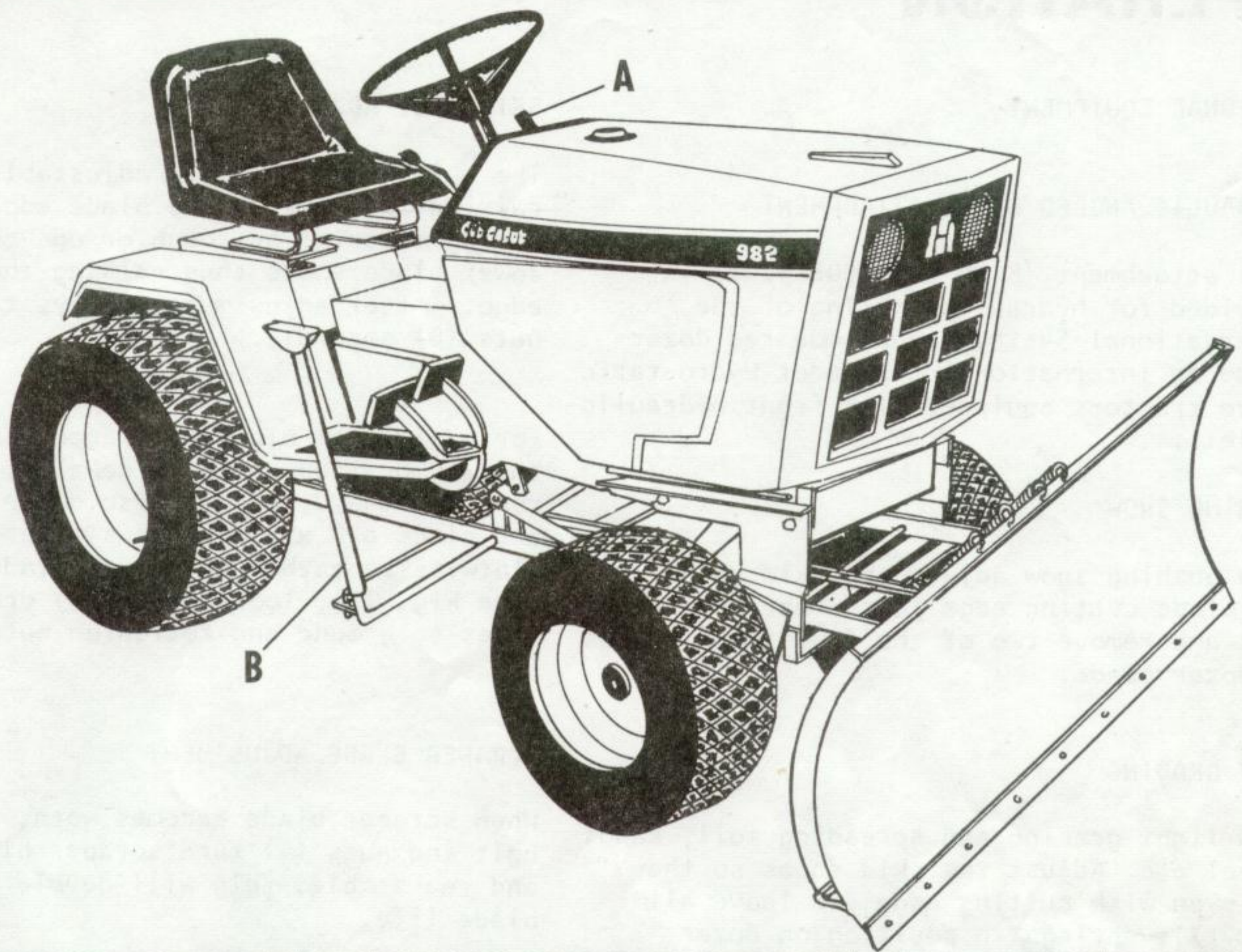


FIG. 15

## OPERATING INSTRUCTIONS

The blade is designed for use on International Cub Cadet Tractors for clearing snow, leveling soft dirt or sand, and other lightweight dozer jobs. The spring trip release protects the blade, tractor, and operator from severe shock loads when the blade comes in contact with curbs and other obstacles, regardless of speed. The blade has a reversible and replaceable cutting edge.

### BEFORE PLACING DOZER BLADE INTO OPERATION:

1. Check all bolts and nuts for proper tightness and all parts are assembled properly.
2. Test the following controls for smooth operation.
  - A. Lift control lever
  - B. Pivot control handle

NOTE: Terms left and right as used in this manual refer to the left and right sides of the dozer blade when facing forward from rear of dozer blade.

### TO RAISE AND LOWER DOZER BLADE

Lift control lever (A) to raise and lower dozer blade is located on left hand side of tractor dash. (See Fig. 15)

To raise dozer blade, pull back on lift control lever until desired height is reached.

To lower dozer blade, push forward on lift control lever until dozer reaches desired height.

### TO ANGLE DOZER BLADE

The manually operated dozer blade has five angular positions. The angle is controlled by the pivot control handle (B).

To angle dozer blade to the right, twist pivot control handle (B) counterclockwise and pull rearward. When desired angle is reached turn pivot control handle clockwise to lock dozer blade in place.

To angle dozer blade to the left, twist pivot control handle (B) and push forward. When desired angle is reached turn pivot control handle clockwise to lock dozer blade in place.

# OPERATION

## OPTIONAL EQUIPMENT

### HYDRAULIC ANGLED BLADE ATTACHMENT

This attachment (KIND 006-CODE 3247) is provided for hydraulic angling of the International 54-inch front mounted dozer blade on International Cub Cadet Hydrostatic Drive tractors equipped with front hydraulic outlets.

### PUSHING SNOW

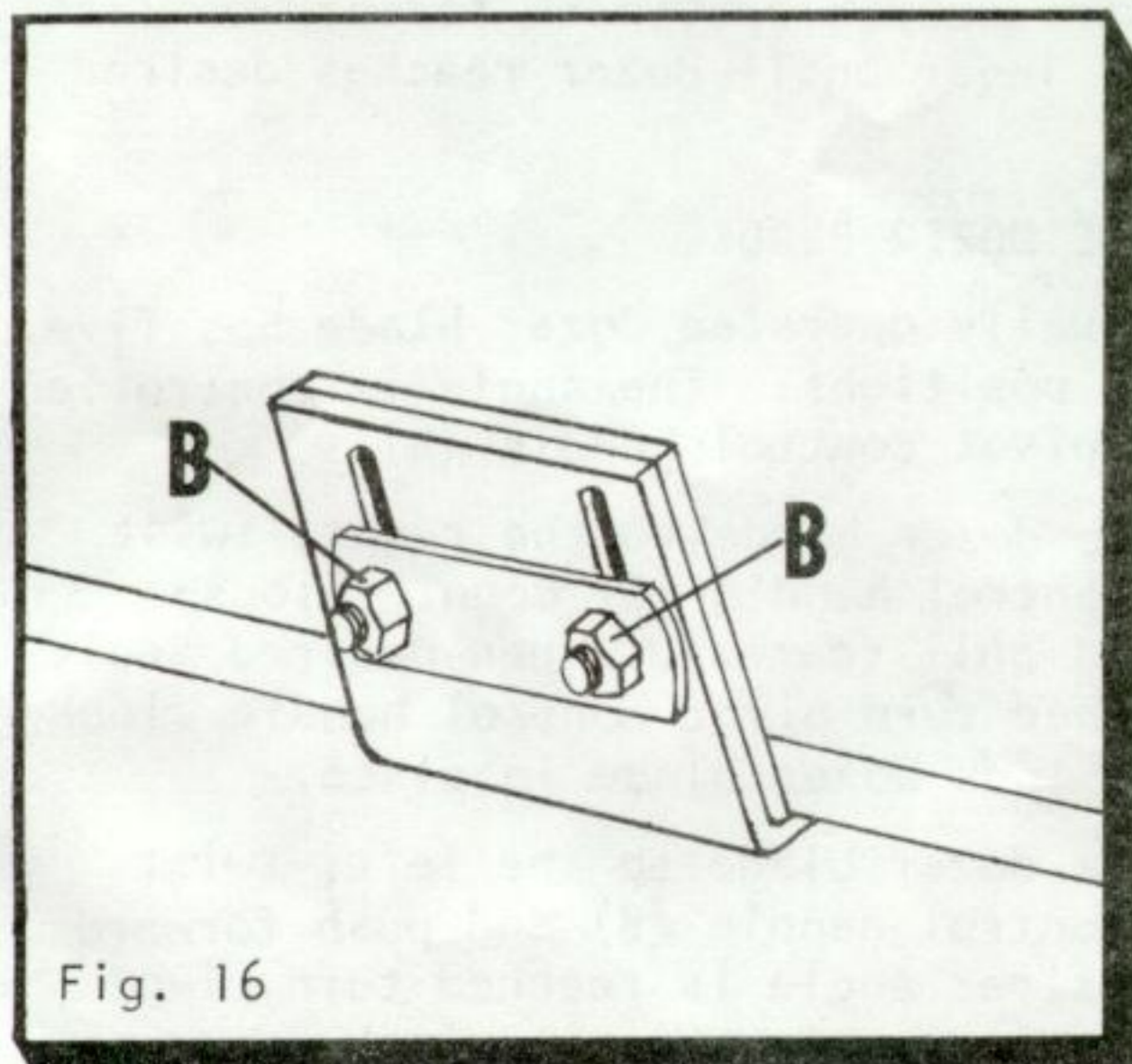
When pushing snow adjust the skid shoes so the blade cutting edge just clears pavement and remove two of the four tilt springs on dozer blade.

### LIFT GRADING

When light grading and spreading soil, sand, gravel etc. Adjust the skid shoes so they are even with cutting edge and leave all four tilt springs in position on dozer blade.

### HEAVY GRADING

When heavy grading of soil, sand, gravel etc., adjust the skid shoes so they are slightly above the cutting edge and leave all four tilt spring in position on dozer blade.



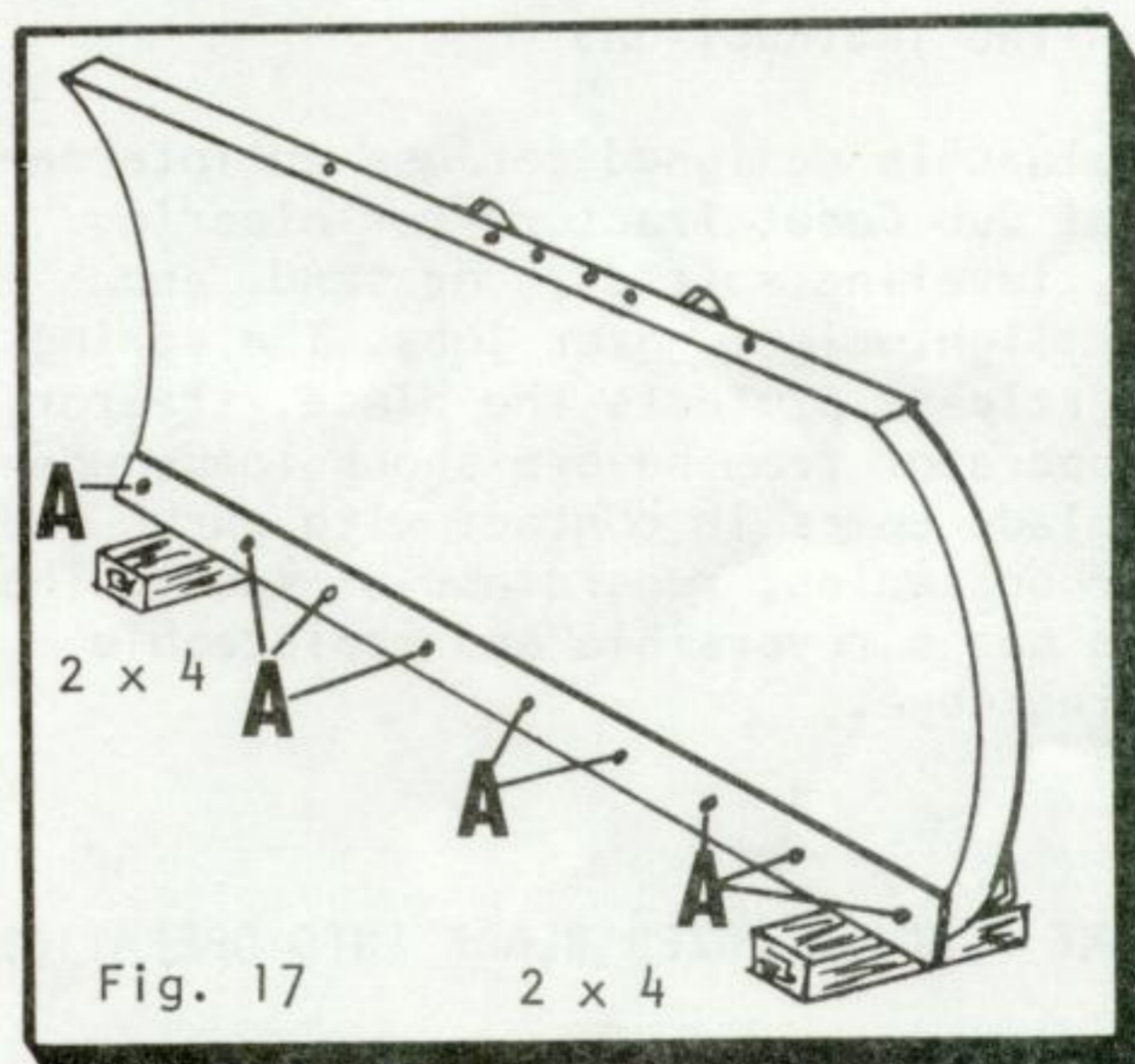
## SKID SHOE ADJUSTMENT

The skid shoes (D), are adjustable for raising or lowering the blade edge. When moving material on rough or uneven surfaces, lower blade shoes thus raising the blade edge. After adjustment, always tighten nuts (B) securely.

For additional blade clearance, such as; snow removal on uneven sidewalks, crushed rock driveways, etc., raise dozer blade and place a 2 x 4 or some similar object flatwise beneath each end of blade as shown, (See Fig. 17), loosen nuts (B) drop skid shoes to ground and retighten nuts (B).

## SCRAPER BLADE ADJUSTMENT

When scraper blade becomes worn, remove bolt and nuts (A) turn scraper blade over and reassemble, this will double scraper blade life.



# OPERATION

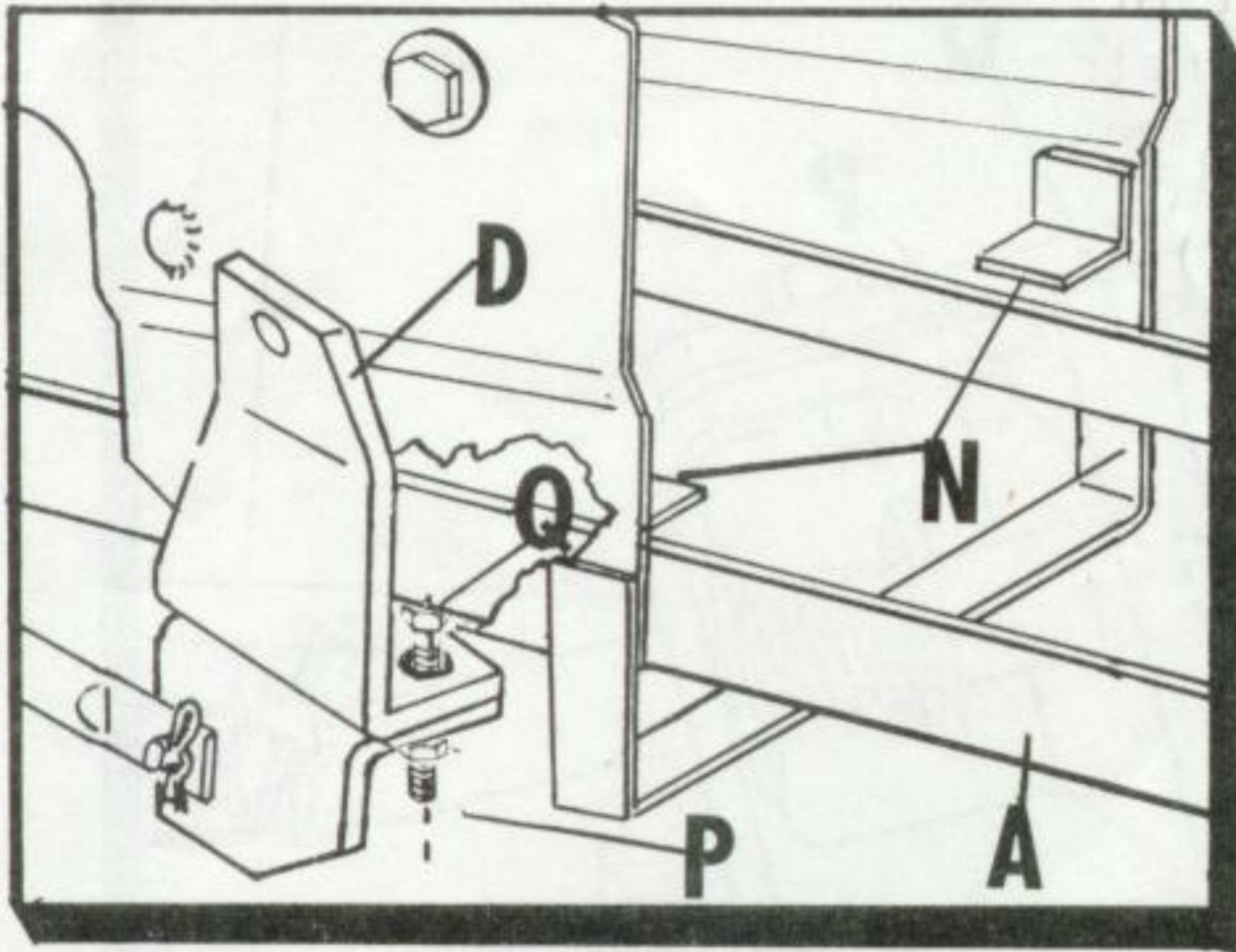


Fig. 18

## DOZER LIFT ADJUSTMENT (See Fig. 18)

For maximum dozer blade ground clearance and machine stability when transporting, the "A" frame assembly (A) must hit up stop angles (N) when machine is raised by the tractor lift system.

Raise the dozer blade to the full transport height. Check the clearance between the top of "A" frame assembly (A) and the under side of up stop angle (N).

The top edge of "A" frame assembly (A) should just touch the under side of the up stop angles (N).

If the "A" frame assembly (A) does not touch the up stop angles (N) or is forced tight against the up stop angles (N) a lift height adjustment is necessary. Proceed as follows:

Lower the dozer blade to the ground and loosen jam nut (P) on the adjustment bolt located on the lift bracket assembly (D) at the right side of the dozer blade.

Operate the tractor lift and raise the dozer blade to the full transport height. Turn the adjustment bolt head (Q) in a counter clock-wise direction to raise the "A" frame assembly (A) or clock-wise direction to lower the "A" frame (A).

Adjust the lift height so that the top edge of the "A" frame assembly (A) just touches the under side of the up stop angles (N).

Hold the adjustment bolt head (Q) from turning and retighten the jam nut (N) firmly, to lock the bolt head in position.

Lower the dozer blade to the ground and raise to transport position once more. Check to see that the adjustment is correct.

## TRANSPORTING

Be sure that the blade is fully raised and is in the straight forward position when in transport.

When turning close to buildings or passing through narrow areas, be sure to allow sufficient clearance for the blade.

Avoid heavily-traveled roads when moving equipment, if at all possible.

## AFTER OPERATING

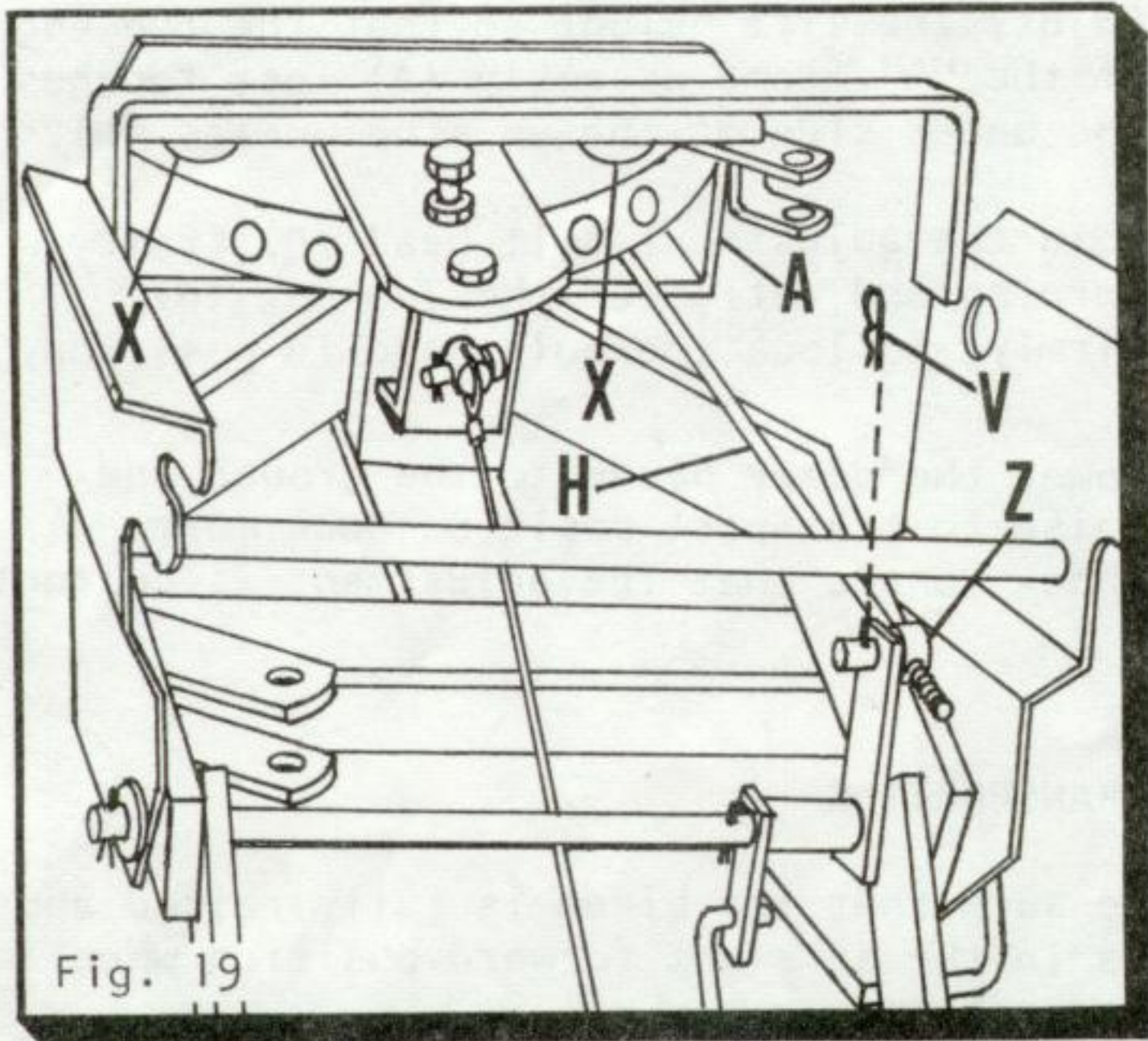
Always wait for the tractor to come to a complete stop, lower blade to the ground and shut off the engine before leaving tractor.

To reduce the possibility of unattended movement of the tractor or its use by unauthorized operators which could result in an accident and injury, shift transmission into neutral, set the parking brake, stop the engine, and remove ignition key when leaving the machine unattended.

## LUBRICATION

—11— Periodically, lubricate the pivot points with a good grade of engine oil.

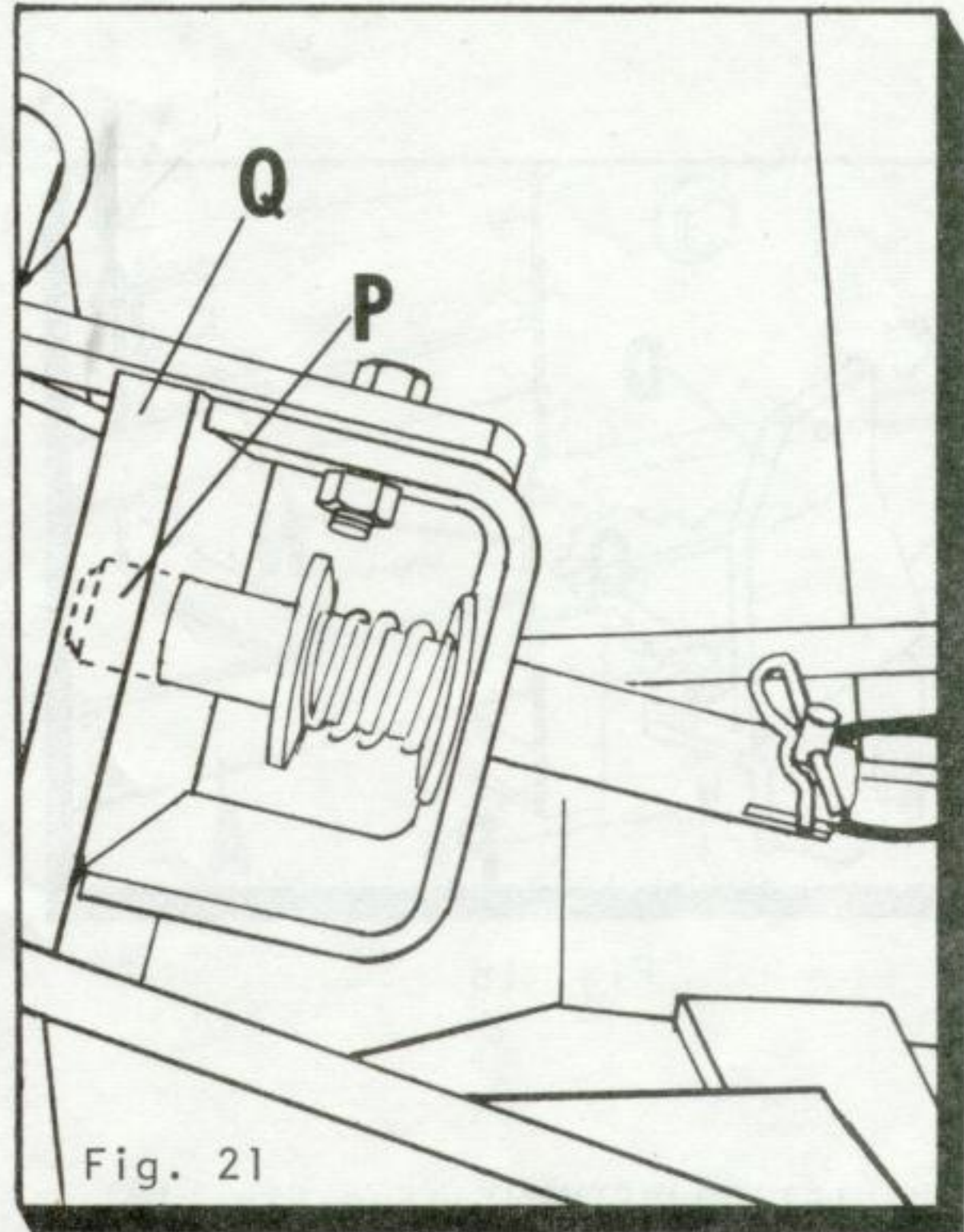
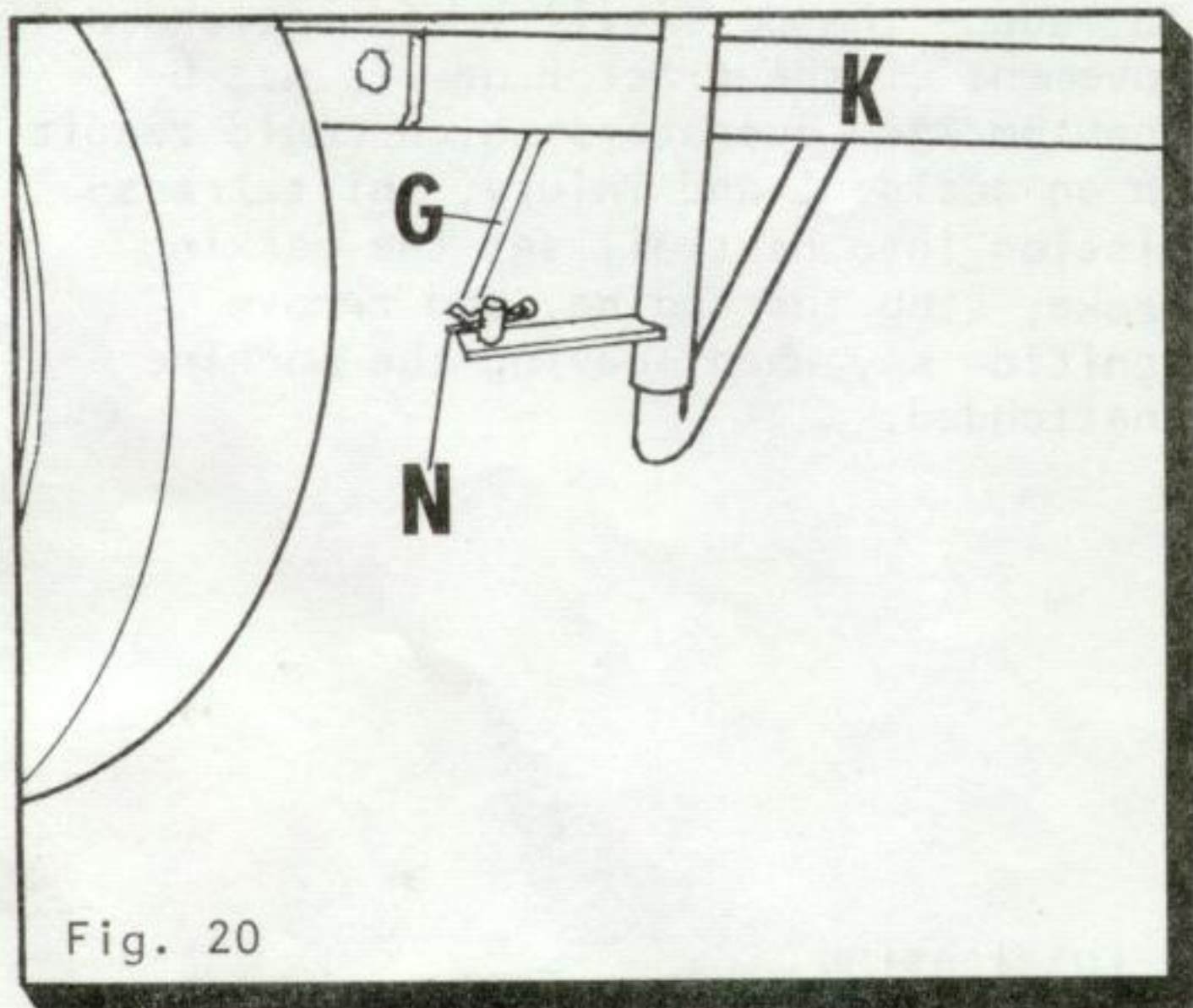
# OPERATION



## FRONT PIVOT ROD ADJUSTMENT (See Fig. 19)

To adjust front pivot rod (H) remove pin (V) turn anchor (Z) counter-clockwise to lengthen rod and clockwise to shorten rod.

The front pivot rod (H) is adjusted to the proper length when "A" frame assy. (A) will hit both stops (X) by movement of pivot control handle (K). (See Fig. 15)



## PIN RELEASE ROD ADJUSTMENT

To adjust pin release rod (G) remove hair pin (N) turn release rod (G) clockwise to lengthen it and counter-clockwise to shorten it. (See Fig. 20)

The pin release rod is adjusted correctly when dozer angle lock pin (P) is flush with the front of pin housing (Q). To move pin forward lengthen pin release rod. To move pin rearward shorten pin release rod. (See Fig. 21)



## OPTIONAL EQUIPMENT

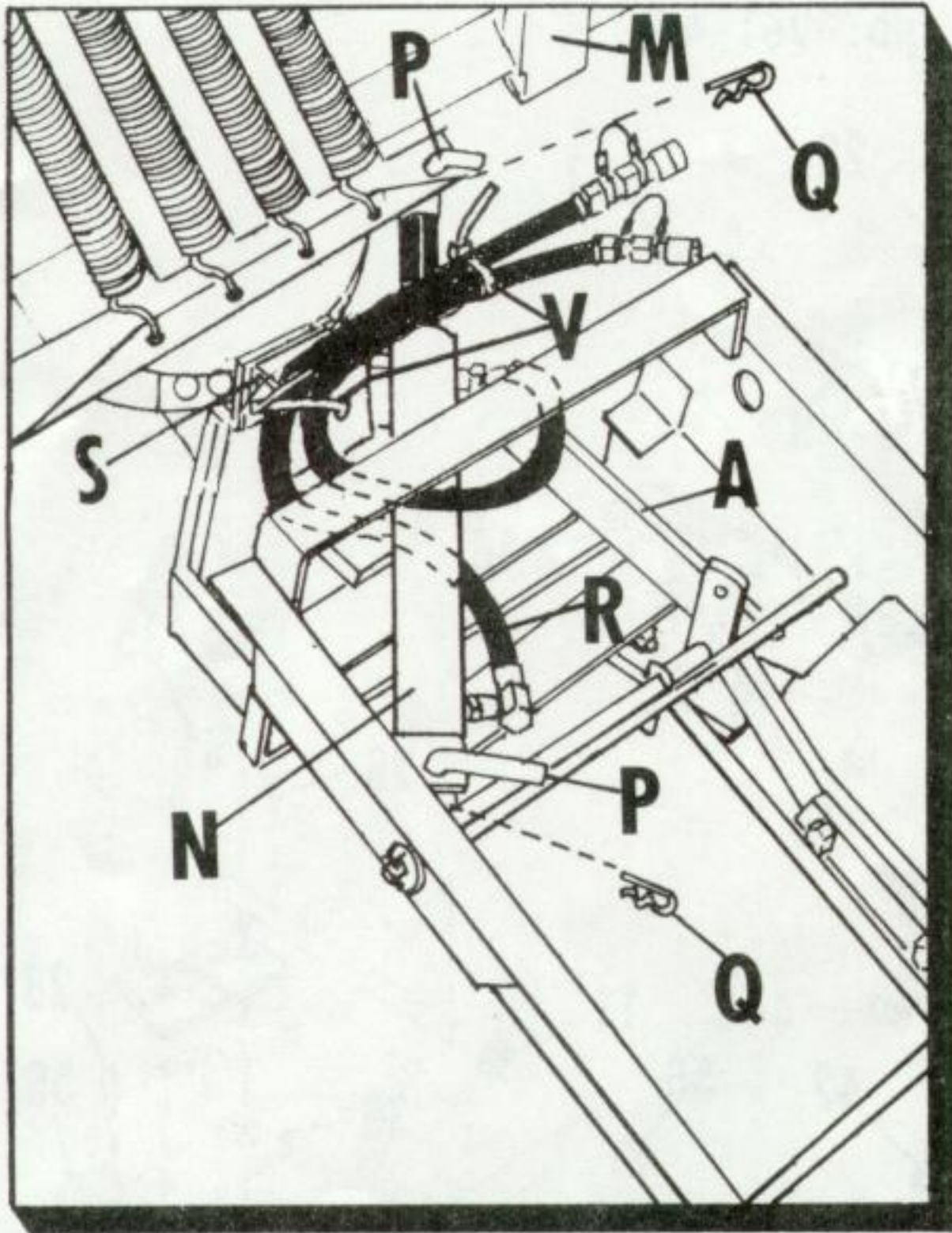


Fig. 22

### HYDRAULIC ANGLED BLADE ATTACHMENT

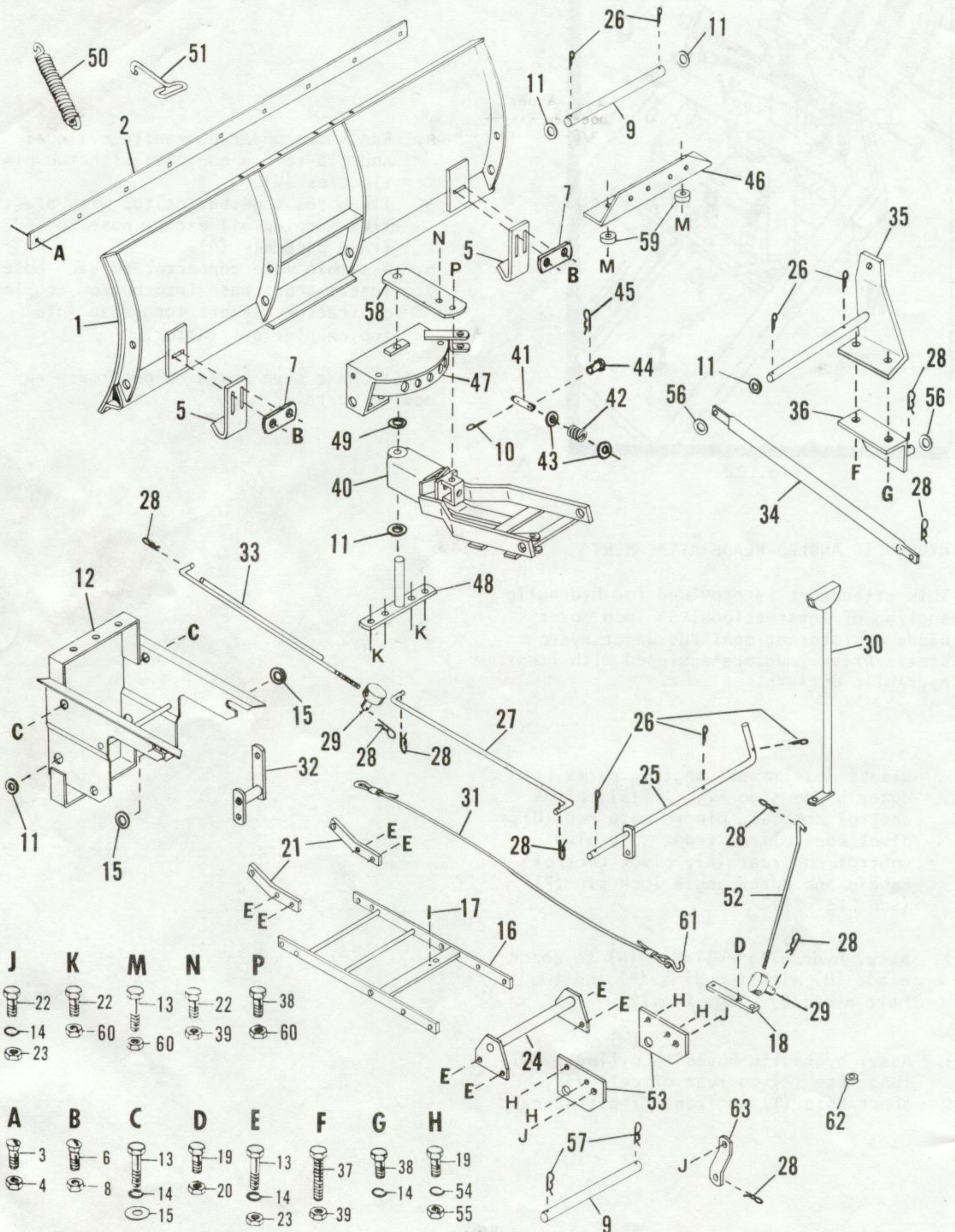
This attachment is provided for hydraulic angling of International 54-inch dozer blade on International Cub Cadet Hydrostatic Drive tractors equipped with front hydraulic outlets.

1. Disassemble manual angling parts from dozer blade (See Fig. 1) (E), pivot control arm (G), pin release rod (H), pivot control rod front (J), pivot control rod rear (K), pivot control handle and dozer angle lock pin (P). (See Fig. 21)
2. Assy. hydraulic cylinder (N) to dozer blade (M) with two pins (P) and two hair pins (Q). (See Fig. 22)
3. Assy. hydraulic hoses to cylinder (N), long hose (R) to rear of cylinder, short hose (T) to front of cylinder.

4. Run hoses under hydraulic cylinder and tie to pin hsg. (S) with two plastic ties (V).
5. Tie hoses together at top with plastic ties keeping all excess hose in "A" frame assembly (A).
6. Assemble male connector to each hose.
7. Insert short hose into bottom coupler on tractor. Insert long hose into top coupler on tractor.

NOTE: Make sure hoses do not touch any moving parts.

CUB CADET 54" DOZER BLADE MODEL NO. 761-405



- |          |          |          |          |          |
|----------|----------|----------|----------|----------|
| <b>J</b> | <b>K</b> | <b>M</b> | <b>N</b> | <b>P</b> |
| 22       | 22       | 13       | 22       | 38       |
| 14       | 60       | 60       | 39       | 60       |
| 23       |          |          |          |          |

- |          |          |          |          |          |          |          |          |
|----------|----------|----------|----------|----------|----------|----------|----------|
| <b>A</b> | <b>B</b> | <b>C</b> | <b>D</b> | <b>E</b> | <b>F</b> | <b>G</b> | <b>H</b> |
| 3        | 6        | 13       | 19       | 13       | 37       | 38       | 19       |
| 4        | 8        | 14       | 20       | 14       | 39       | 14       | 54       |
|          |          | 15       |          | 23       |          |          | 55       |

CUB CADET 54" DOZER BLADE MODEL NO. 761-405

REF. NO.	PART NUMBER	DESCRIPTION	QTY. REQ.
1	12329	Blade Assembly-----	1
2	12355	Cutting Edge Blade-----	1
3	GM-126358*	Bolt - 5/16-18 x 1" Carriage-----	9
4	GM-271184*	Nut & Lock Washer Assembly - 5/16-18 Hex-----	9
5	12356	Skid Shoe-----	2
6	GM-120915*	Bolt - 3/8-16 x 1" Carriage-----	4
7	4808	Strap-----	2
8	GM-271190*	Nut & Lock Washer Assembly - 3/8-16 Hex-----	4
9	12359	Locating Pin-----	2
10	GM-120123*	Hair Cotter Pin-----	1
11	GM-456151*	Washer - 13/16" x 1 1/2" x .134 Flat-----	5
12	12751	Front Mounting Frame Assembly-----	1
13	GM-180177*	Bolt - 1/2-13 x 1 1/2" Hex Head-----	12
14	GM-120384*	Washer - 1/2" Medium Lock-----	15
15	GM-120389*	Washer - 1/2" x 1 1/4" x .083 Flat-----	4
16	12754	Mounting Frame Assembly-----	1
17	GM-455481*	Roll Pin-----	1
18	12770	Pivot Control Strap-----	1
19	GM-180122*	Bolt - 3/8-16 x 1" Hex Head-----	5
20	GM-9413534*	Nut - 3/8-16 Hex Lock-----	1
21	12758	Front Mounting Strap-----	2
22	GM-180175*	Bolt - 1/2-13 x 1 1/4" Hex Head-----	8
23	GM-120378*	Nut - 1/2-13 Light Hex-----	12
24	14294	Rear Mounting Frame Assembly-----	1
25	12766	Pivot Arm Assembly-----	1
26	GM-137258*	Pin - 3/16" x 1-3/4" Hair Cotter-----	7
27	12769	Pivot Rod-----	1
28	3430	Hair Cotter Pin-----	9
29	9492	Anchor-----	2
30	12772	Pivot Control Handle Assembly-----	1
31	12774	Pivot Control Cable Assembly-----	1
32	12776	Bell Crank Assembly-----	1
33	12869	Pivot Control Rod Assembly-----	1
34	14287	Lift Tube-----	1
35	12843	Lift Arm Assembly-----	1
36	12782	Lift Extension Assembly-----	1
37	4570	Bolt-----	1
38	GM-180173*	Bolt - 1/2-13 x 1" Hex Head-----	2
39	GM-120238*	Nut - 1/2-13 Half Hex-----	2
40	13386	"A" Frame Assembly-----	1
41	12797	Lock Pin-----	1
42	5681	Spring-----	1
43	GM-110962*	Washer - 21/32" x 1-5/16" x .095 Flat-----	2
44	3694	Clevis Pin-----	1
45	3090	Hair Cotter Pin-----	1
46	13385	Pivot Stop Angle-----	1
47	13387	Pivot Box Assembly-----	1
48	12716	Pivot Pin Assembly-----	1
49	3396	Washer-----	1
50	12383	Breakover Spring-----	4
51	12846	Spring Mounting Hook-----	1
52	12771	Pivot Control Rod-----	1
53	14300	Anchor Plate-----	2
54	GM-120382*	Washer - 3/8" Medium Lock-----	4
55	GM-120377*	Nut - 3/8-16 Light Hex-----	4
56	GM-120396*	Washer - 17/32" x 1-1/16" x .095 Flat-----	2
57	3341	Hair Cotter Pin-----	2
58	13384	Strap-----	1
59	13382	Pivot Stop Spacer-----	2
60	GM-9414074*	Nut - 1/2-13 Hex Lock-----	7
61	3247	"S" Hook-----	1
62	11018	Tractor Lift Knob Spacer-----	1
63	14297	Cross Shaft Support Strap-----	1
NP	12893	Bag of Parts (For Hydraulic Angle Kit)-----	1
NP	17042	Manual-----	1

\*Standard Hardware - Purchased Locally

***Cub Cadet***

**Model 190-401-100**

# **HOW TO ORDER REPAIR PARTS**

## **REPAIR PARTS**

All parts listed herein may be ordered from any authorized Cub Cadet Dealer.

**WHEN ORDERING REPAIR PARTS, ALWAYS GIVE THE  
FOLLOWING INFORMATION:**

- THE PART NUMBER
- THE PART DESCRIPTION
- THE MODEL NUMBER
- THE NAME OF MERCHANDISE