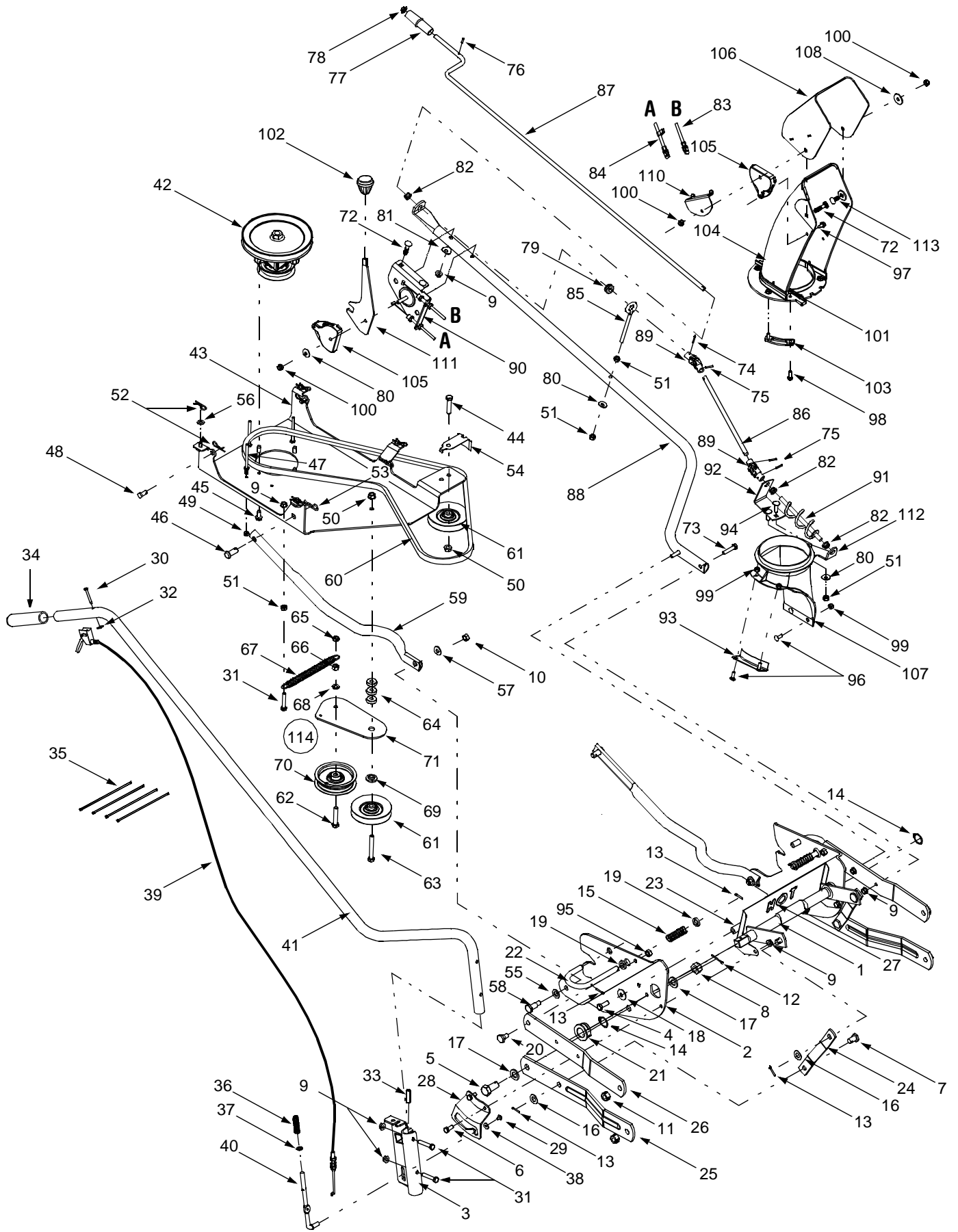


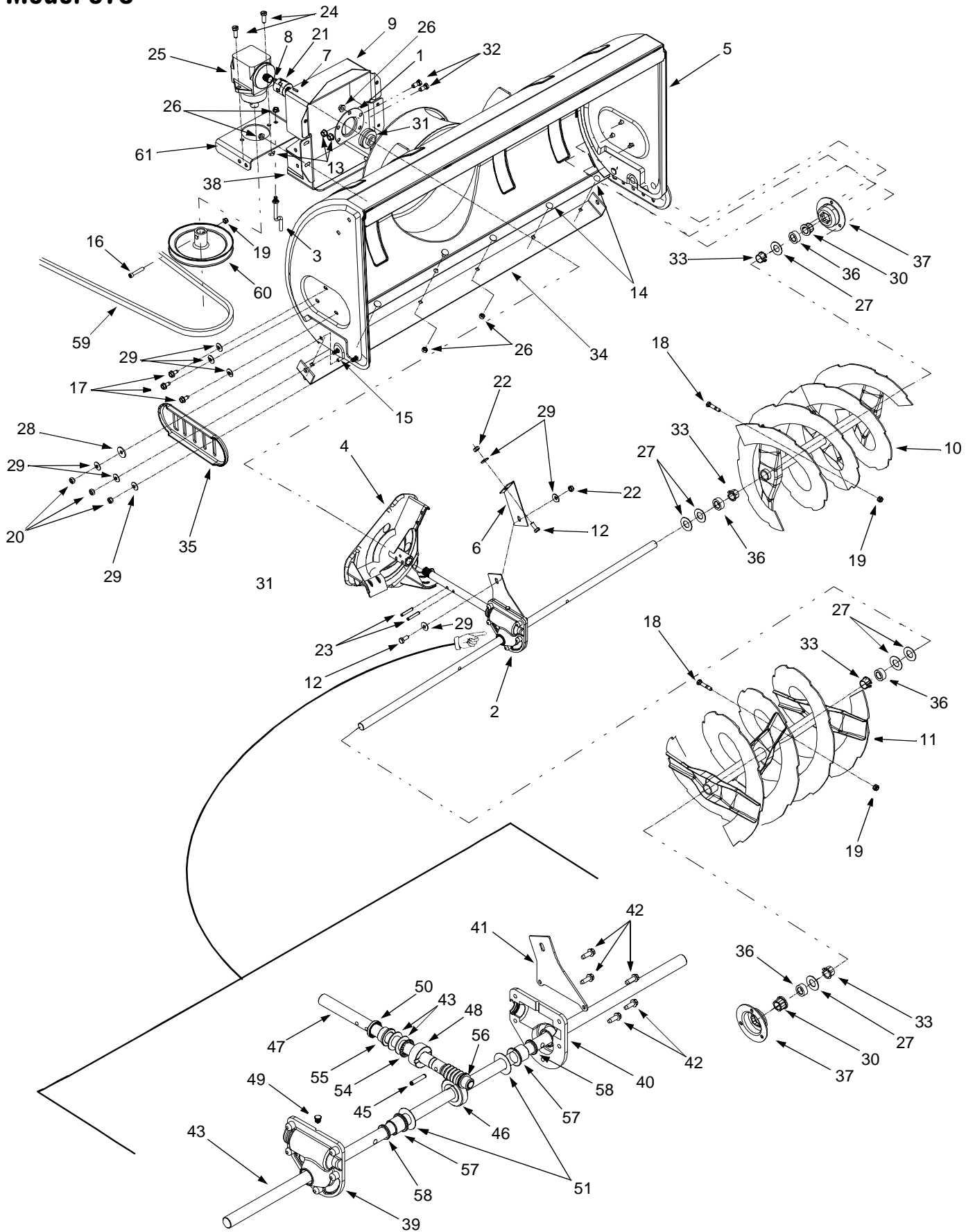
MODEL 673 PARTS LIST



Model 673

REF. NO.	PART NO.	DESCRIPTION	REF. NO.	PART NO.	DESCRIPTION
1	611-0132	Rod Assembly	58	738-0145	Shoulder Screw, 3/8-16, .5 x .835,
2	684-0150	RH Support Plate Assembly	59	749-1104	RH Support Tube
	684-0151	LH Support Plate Assembly		749-1103	LH Support Tube
3	683-0298	Lift Bracket Assembly	60	754-0371A	Upper V-belt
4	710-0514	Hex Cap Screw, 3/8-16 x 1.0	61	756-0487	Idler pulley, 4" Diameter
5	710-0964A	Hex Cap Screw, 5/8-18 x 1.31	62	710-0151	Hex Cap Screw, 3/8-24 x 2
6	710-3008	Hex Cap Screw, 5/16-18 x .75	63	710-0521	Hex Cap Screw, 3/8-16 x 3
7	711-0332	Clevis Pin, .5 x .78	64	711-0242	Spacer
8	712-0386A	Slotted Hex Nut, 5/8-18	65	712-0116	Nylon Jam Lock Nut, 3/8-24
9	712-3004A	Flange Lock Nut, 5/16-18	66	712-0241	Hex Nut, 3/8-24
10	712-3017	Hex Nut, 3/8-16	67	732-0978	Extension Spring, .620 x 5.62
11	712-3022	Hex Lock Nut, 1/2-13	68	736-0169	Lock Washer, 3/8
12	714-0470	Cotter Pin, 1/8 x 1.25	69	738-0347	Shoulder Spacer, .625 x .169
13	714-0474	Cotter Pin, .125 x .75	70	756-0627B	Idler Pulley, 3.5" Diameter
14	716-0102	Snap Ring	71	784-5727	Idler Pivot Arm
15	732-0987	Compression Spring, .72 x 2.25	72	710-0262	Carriage Bolt, 5/16-18 x 1.5
16	736-0272	Flat Washer, .51 x 1.0 x .060	73	710-0805	Hex Cap Screw, 5/16-18 x 1.5
17	736-0366	Flat Washer, .64 x 1.12 x .125	74	714-0507	Cotter Pin, 3/32 x .75
18	736-0452	Bell Washer, .396 x 1.14 x .095	75	715-0129	Spirol Pin, .125 x .82
19	736-3069	Flat Washer, .531 x .875 x .15	76	715-0138	Rolled Pin, 1/8 x .63
20	738-0234	Shoulder Screw, .5 x .29, 3/8-16	77	720-0201A	Crank Knob
21	741-0170	Flange Bearing w/ Flats	78	726-0100	Push Cap, 3/8 ID
22	747-1191	Handle Rod	79	735-0234	Rubber Grommet, .44 x .94 x .5
23	747-1192	Rod, 1/2 x 11.55	80	736-0242	Bell Washer, .34 x .872
24	783-0876	Link, 5.875	81	736-0451	Saddle Washer, .32 x .93
25	783-0877	Link, 15.3	82	741-0475	Plastic Bushing
26	783-0878	Link, 13.25	83	746-1108	Chute Cable, 62"
27	783-1274A	Heat Shield	84	746-1109	Chute Cable w/ Clip, 62"
28	703-2728A	Snow Thrower Lift Bracket	85	747-0697	Eye Bolt
29	710-1268	Hex Index Washer Screw #10-16 x .375	86	747-0932	Rod, .375 x 11.375
30	710-3143	Pan Phillips Screw, #10-24 x .75	87	747-1201	Chute Crank Rod, .375 x 33
31	710-3108	Hex Cap Screw, 5/16-18 x 1.75	88	750-1231	Support Chute Tube
32	712-0127	Flat Weld Nut, #10-24	89	784-5149	Joint Block Assembly
33	715-0114	Heavy Duty Spirol Pin, 1/4 x 1.5	90	603-0302	Chute Tilt Bracket Assembly
34	720-0274	Handle Grip	91	684-0061	Chute Crank Assembly
35	725-0157	Cable Tie	92	703-2735A	Chute Crank Bracket
36	732-0306	Compression Spring, .406 x .531 x 1.75	93	705-5226	Chute Reinforcer
37	736-0140	Flat Washer, .385 x .62 x .063	94	710-0276	Splined Carriage Screw, 5/16-18 x 1.0
38	736-0400	Flat Washer, .194 x .62 x .063	95	712-3000	Hex Lock Nut, 3/8-16
39	746-1103	Lift Cable, 42" w/ Trigger Control	96	710-0703	Screw, 1/4-20 x .75
40	747-1203	Lift Index Rod	97	710-0896	Hex Index Washer Screw, 1/4-14 x .625
41	750-1221	Lift Handle Tube	98	710-3015	Hex Cap Screw, 1/4-20 x .75
42	618-0411	Spindle Assembly	99	712-0324	Nylon Hex Lock Nut, 1/4-20
43	683-0306	Pulley Mounting Bracket	100	712-0429	Nylon Hex Lock Nut, 5/16-18
44	710-0347	Hex Cap Screw, 3/8-16 x 1.75	101	712-3027	Hex Flange Lock Nut, 1/4-20
45	710-1260A	Self Tapping Screw, 5/16-18 x .75	102	720-0232	Knob
46	711-0310	Clevis Pin, .5 x 1.18	103	731-0851A	Chute Flange Keeper
47	711-1000	Belt Keeper Pin	104	731-1300B	Lower Chute
48	711-1421	Clevis Pin, 3/8 x .75	105	731-1313C	Chute Tilt Cable Guide
49	712-0291	Hex Lock Nut, 1/4-20	106	731-1320	Upper Chute
50	712-0431	Hex Flange Lock Nut, 3/8-24	107	731-1379C	Adapter Chute
51	712-3010	Hex Nut, 5/16-18	108	736-0231	Flat Washer, .344 x 1.125 x .125
52	714-0145	Click Pin, .092 x 1.64	109	736-0463	Flat Washer, .25 x .63 x .0515
53	714-0147	Internal Cotter Pin, .125 x 1.75	110	784-5594	Cable Bracket
54	732-0990	Belt Guard	111	784-5604	Chute Tilt Handle
55	736-0192	Flat Washer, .531 x .93 x .09	112	784-5647	Chute Crank Bracket
56	736-0275	Flat Washer, .344 x .688 x .065	113	710-04071	Carriage Screw, 5/16-18 x 1.0
57	736-3072	Flat Washer, .38 x .93 x .11	114	684-0149	Double Idler Assembly (Incl. Refs. 61-71)

Model 673



Model 673

REF. NO.	PART NO.	DESCRIPTION	REF. NO.	PART NO.	DESCRIPTION
1	05931A	Bearing Housing, 1.85 ID	32	710-0216	Hex Cap Screw, 3/8-16 x .75
2	618-0407	Auger Gear Case (Incl. Ref. 39-58)	33	741-0493A	Flange Bushing, .80 x .91
3	747-1257	Belt Keeper Rod	34	784-0396A	Skid Plate Bracket, 42"
4	684-0158	Impeller Assembly, 12"	35	784-5038B	Slide Shoe
5	684-0148	Housing Assembly	36	711-0469	Spacer, .75 x .125 x .5
6	703-2734	Housing Brace Bracket	37	784-5618	Hex Bearing Housing, 1.0
7	714-0122	Square Key, 3/16 x .75	38	784-0402	Skid Plate
8	714-0126	Hi-pro Key, 3/16 x .75	39	618-0123	RH Reducer Housing (Incl. Ref. 57, 58)
9	703-2736	Belt Cover	40	618-0124	LH Reducer Housing (Incl. Ref. 57, 58)
10	705-5269	LH Spiral Auger, 40"	41	703-2733A	Housing Brace Plate
11	705-5270	RH Spiral Auger, 40"	42	710-0642	Self Tapping Screw, 1/4-20 x .75
12	710-0157	Hex Cap Screw, 5/16-24 x .75	43	711-1395	Spiral Axle, 41.5"
13	712-0431	Flange Lock Nut, 3/8-16	44	714-0161	Hi-Pro Key, 3/16 x 5/8
14	710-0260A	Carriage Bolt, 5/16-18 x .62	45	715-0143	Spring Spirol Pin, .25 x 1.25
15	710-0276	Splined Carriage Screw, 5/16-18 x 1.0	46	717-0528	Worm Gear, 20-tooth
16	710-3251	Socket Head Cap Screw, 5/16-18 x 1.75	47	717-3320	Worm Shaft
17	710-0604A	Self Tapping Screw, 5/16-18 x .625	48	718-0513	Thrust Collar
18	710-0890A	Shear Bolt, 5/16-18 x 1.5	49	721-0325	Grease Plug
19	712-0429	Hex Lock Nut, 5/16-18	50	721-0327	Grease Seal
20	712-3010	Hex Nut, 5/16-18	51	736-0351	Flat Washer, .76 x 1.5 x .030
21	718-0691	Coupling	52	736-0369	Flat Washer, .508 x 1.0 x .020
22	712-3057	Hex Nut, 5/16-24	53	736-0617	Thrust Washer, .75 x 1.25 x .0615
23	715-0114	Spirol Pin, 1/4 x 1-1/2	54	741-0150	Thrust Bearing, .75 x 1.25 x .078
24	710-0514	Hex Cap Screw, 3/8-16 x 1.0	55	741-0700	Flange Bearing, .75 x 1.0 x .59
25	717-1714A	Right Angle Drive	56	748-0108	Flange Bearing, .503 x .75
26	712-3004A	Flange Lock Nut, 5/16-18	57	741-0661	Flange Bearing, .754 x 1.0 x .925
27	736-0188	Flat Washer, .76 x 1.49 x .06	58	721-0179	Grease Seal
28	736-0231	Flat Washer, .344 x 1.125 x .12	59	754-0125A	Lower V-belt
29	736-0242	Bell Washer, .340 x .872	60	756-1181A	Drive Pulley, 7"
30	741-0245	Hex Flange Bearing, .75 ID	61	783-1014A	Drive Mounting Bracket
31	741-0309	Flange Ball Bearing, .75 x 1.85			

IMPORTANT: For a proper working machine, use Factory Approved Parts.

V-belts are especially designed to engage and disengage safely. A substitute (non-OEM) V-belt can be dangerous by not disengaging completely.

NOTE: For **painted parts**, please refer to the list of color codes below. Please add the applicable color code, wherever needed, to the part number to order a replacement part. For instance, if a part, numbered 700-xxxx, is painted Cub Yellow, the part number to order would be 700-xxxx-0716.

Cub Yellow: 0716
 Cub Beige: 0499
 Cub Blue: 0685
 Powder Black: 0637