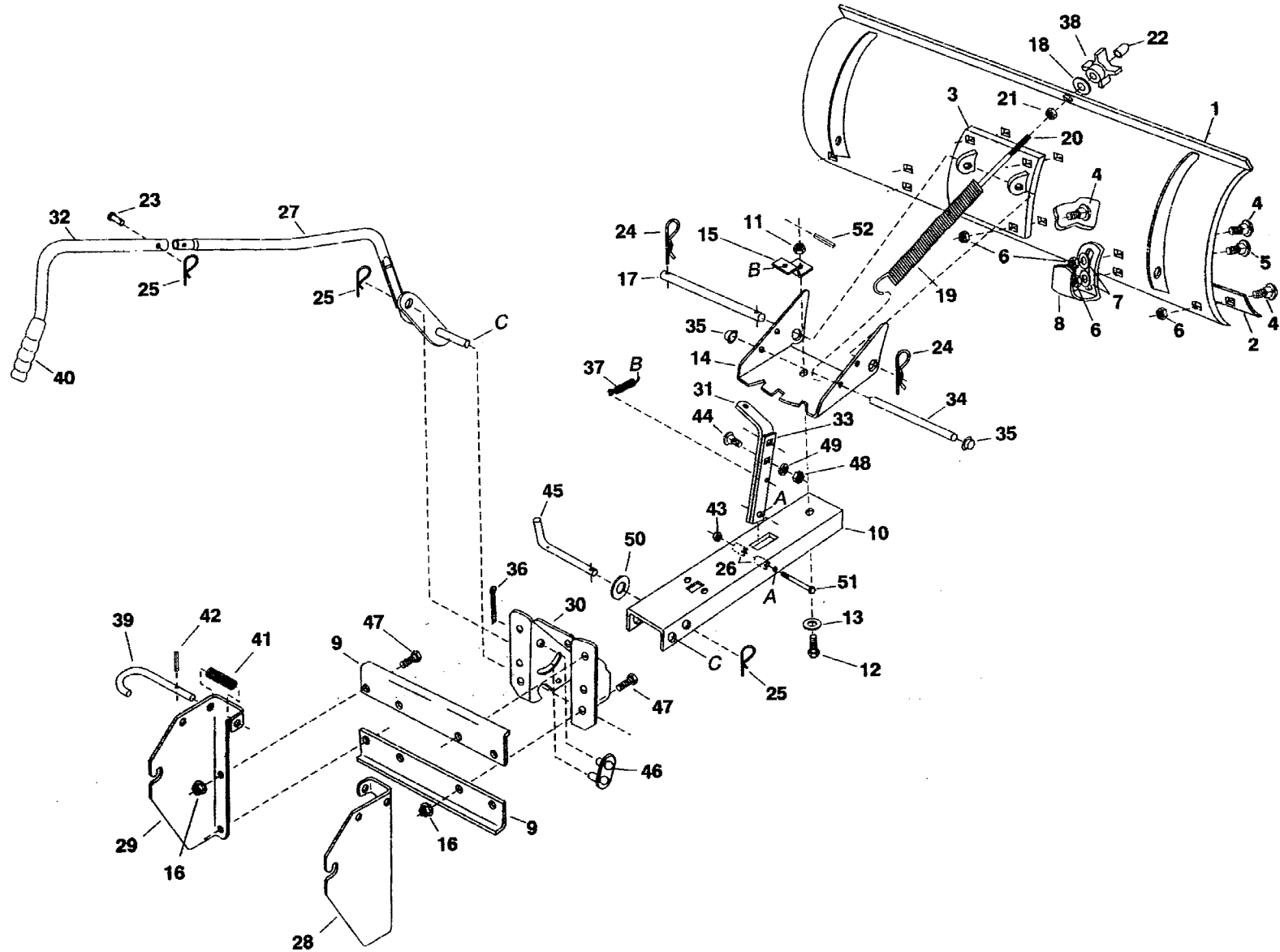


MODEL 190-674-100



MODEL 190-674-100

REF. NO.	PART NO.	QTY	DESCRIPTION	REF. NO.	PART NO.	QTY	DESCRIPTION
1	AF-63821	1	Blade - 46"	28	AF-24518	1	Hitch Bracket, R.H.
2	AF-24524	1	Wear Plate - 46"	29	AF-24519	1	Hitch Bracket, L.H.
3	AF-62980	1	Reinforcement Plate Assy.	30	AF-24023	1	Pivot Support Bracket
4	AF-43080	8	Bolt, Carriage 5/16-18 x 3/4"	31	AF-23129	1	Angle Lock Bar (Long)
5	AF-43079	2	Bolt, Carriage 5/16-18 x 1"	32	AF-46553	1	Lift Handle, Upper
6	AF-43064	10	Hex Lock Nut, 5/16-18 Thd.	33	AF-23151	1	Angle Lock Bar (Short)
7	AF-43081	4	Washer, 5/16"	34	AF-23856	1	Spring Mount Rod
8	AF-23070	2	Skid Shoe	35	AF-44917	2	Palnut, 3/8"
9	AF-24520	2	Bracket, Angle Support	36	AF-43010	1	Cotter Pin 1/8" x 1"
10	AF-24347	1	Push Channel	37	AF-43348	1	Angle Lock Spring
11	AF-43262	1	Hex Lock Nut, 1/2 - 13 Thd.	38	AF-47501	1	Knob
12	AF-23131	1	Bolt, Special Pivot	39	AF-47553	2	Pin, Attachment
13	AF-1540-118	1	Washer, Flat 1/2"	40	AF-43362	1	Handle, Grip
14	AF-23958	1	Plate, Pivot 7 Ga.	41	732-3127	2	Spring, Compression
15	AF-23130	1	Bracket, Spring Mt.	42	AF-43659	2	Pin, Spring 3/16" x 1"
16	AF-47572	8	Fl. Lock Nut, 3/8-16 Thd.	43	AF-43013	1	Hex Lock Nut, 1/4-20 Thd.
17	AF-23122	1	Shaft, Pivot	44	710-0305	2	Carriage Bolt, 3/8-16 x 1-1/4"
18	AF-43070	1	Washer, 3/8" STD.	45	AF-46065	1	Channel Pivot Pin
19	AF-9466R	1	Spring, Blade Adjust	46	AF-63034	1	Lift Link Assembly
20	AF-44071	1	Hex Bolt, 3/8-16 x 3-1/2"	47	AF-43001	8	Hex Bolt, 3/8-16 x 1"
21	AF-43015	1	Hex Nut, 3/8-16 Thd.	48	AF-43082	2	Hex Lock Nut, 3/8-16 Thd.
22	AF-44074	1	Plastic Cap	49	AF-43003	2	Lock Washer 3/8"
23	AF-41-42	1	Pin, Clevis 1/4" x 1-1/2"	50	AF-R19171616	1	Washer
24	AF-43343	2	Pin, Hair Cotter #4 (1/8")	51	AF-46071	1	Hex Bolt, 1/4-20 x 3-1/4" Lg.Gr 5
25	AF-43055	3	Pin, Hair Cotter #3 (3/32")	52	AF-43349	1	1/4" x 1" Spring Pin
26	AF-46053	2	Spacer, .28 ID x 1"				
27	AF-63283	1	Lift Handle Assembly, Lwr.				