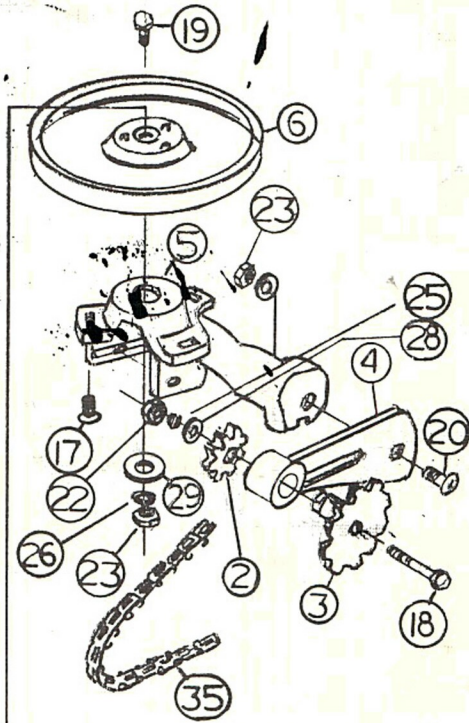
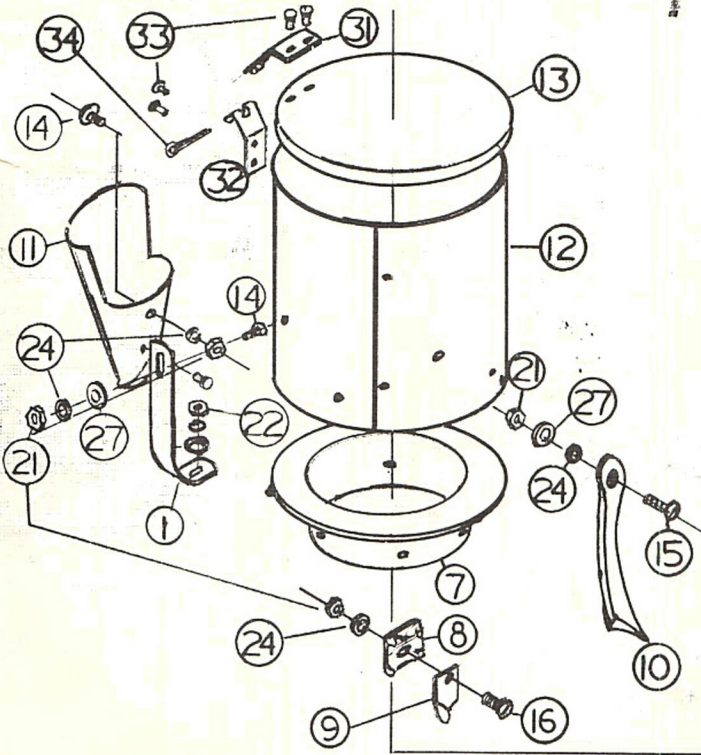


# ASSEMBLY

Refer to Fig. 1

- (1) Remove 5/16" Hex Bolt (1) retaining the Seed Covers (2).
- (2) Position Hopper Assembly (3) over Chassis Assembly at these holes. Reinstall the 5/16" Hex Bolts (with covers in place).
- (3) Mount the Fertilizer Spout (4) to hole provided at right side of Chassis Assembly and secure with 1/4" x 5/8"

- Carriage Bolt (5), lock washer (6), and hex nut (7).
- (4) Loosen Chain Tightener and remove drive chain.
- (5) Check alignment of the three sprockets and adjust Seed Hopper Sprocket and the Press Wheel Sprocket to the Fertilizer Hopper Sprocket, if necessary.
- (6) Install the longer drive chain (8) as shown in Fig. 1. Readjust Chain Tightener, but be careful not to over-tighten chain. **Caution** — Gate should never be adjusted to full closed position as gate could drag on plate causing drive press wheel to skid.



## PARTS LIST KK-320

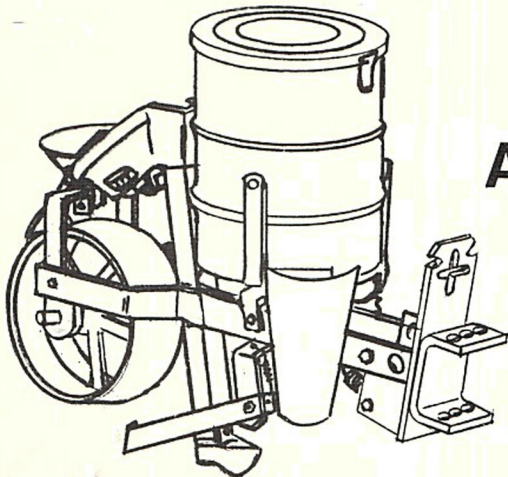
Ref. No.	Part No.	Part Name	Ref. No.	Part No.	Part Name
1	B-420	Brace, Fertilizer Hopper	18	1M1036P	Hex Bolt — 5/16" x 2 1/4"
2	A-48-A	Gear	19	1M1216P	Hex Bolt — 3/8" x 1"
3	B-415	Sprocket, Fertilizer Drive	20	10M1220P	Carriage Bolt — 3/8" x 1 1/4"
4	B-426-A	Mounting Arm	21	30M0800P	Hex Nut — 1/4"
5	B-411-A	Support, Fertilizer Hopper	22	30M1000P	Hex Nut — 5/16"
6	58	Plate, Fertilizer Plate	23	30M1200P	Hex Nut — 3/8"
7	57	Ring, Fertilizer	24	40M0800P	Lock Washer — 1/4"
8	52	Shield; Scraper	25	40M1000P	Lock Washer — 5/16"
9	50-369	Scraper, Inside	26	40M1200P	Lock Washer — 3/8"
10	A-50	Scraper, Outside	27	45M0909P	Flat Washer — 1/4" S.A.E.
11	50-366	Spout, Fertilizer	28	45M1313P	Flat Washer — 3/8" S.A.E.
12	50-367	Hopper, Fertilizer	29	K-177	Flat Washer — 3/8" I.D. x 1 1/2" O.D.
13	50-368	Hopper Lid	31	K-183	Hinge Half, One
14	10M0810P	Carriage Bolt — 1/4" x 5/8"	32	K-184	Hinge Half, Two
15	25M0812P	Flat Head Screw — 1/4" x 3/4"	33	K-185	Rivets, .141" x 7/32" Semi Tube
16	25M0816P	Flat Head Screw — 1/4" x 1"	34	50M0432P	Cotter Pin — 1/8" D. x 1" Long
17	10M1014P	Carriage Bolt — 5/16" x 7/8"	35	K-186	Chain, #25 (43" Long — 48 Links)

# BRINLY



## MODEL KK-320 FERTILIZER ATTACHMENT

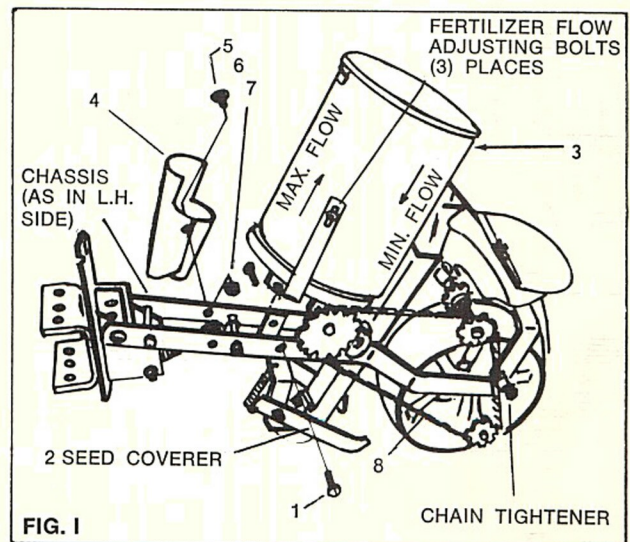
For use with Brinly Model KK-300 Garden Planter



## OPERATING ASSEMBLY INSTRUCTIONS PARTS LIST

### OPERATION

The amount of fertilizer deposited (flow) can be adjusted by loosening the three bolts on the side of the hopper, moving hopper up (maximum flow), dropping it down (Minimum flow), or positioning anywhere between. When using row spacing of approximately 36", and the Fertilizer Hopper adjusted for the maximum flow position, this unit is capable of depositing over 1,000 pounds per acre of average density fertilizer. The pounds per acre will, however, vary according to fertilizer analysis, atmospheric conditions, and whether regular or granular fertilizer is used. Also, rate of flow is determined by selection of drive sprockets on press wheel.



### WARRANTY

This Brinly Product is guaranteed to the original retail purchaser for ONE YEAR from date of purchase. The Brinly-Hardy Company will replace free of charge f.o.b. Authorized Brinly Dealer, any part found to be defective when returned, TRANSPORTATION CHARGES PREPAID. The warranty will not apply to any products repaired or altered outside of our factory which, in the

Company's judgment affects its conditions or operation. Neither will the warranty apply to any failures from misuse, negligence or accident. The Company also reserves the right to incorporate any changes in design without obligation to make these changes on units previously sold.

For Parts and Service, see your local Dealer. Use part NAME and NUMBER when ordering.

BRINLY-HARDY COMPANY, Inc., P. O. Box 1116, Louisville, Ky. 40201