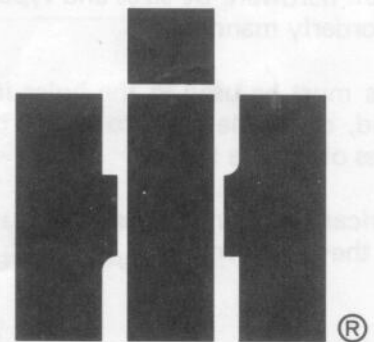


INTERNATIONAL®
Blade
(42 and 54-inch)
with
Spring Trip
for
INTERNATIONAL®
Cub Cadet Tractors

INTERNATIONAL®

SETTING UP INSTRUCTIONS



INTRODUCTION

The International 42 or 54 inch blade can be installed on all International Cub Cadet Tractors.

When the proper sub frame has been installed on the tractor, then the installation of either of the two sized blades and their main frames are basically the same.

Use sub frame adapting package (473 932 R92) for International Cub Cadet Tractors serial numbers up to and including 65457 and International Cub

Cadet models 70, 71, 72, 73, 100, 102, 104, 105, 106, 107, 122, 123, 124, 125, 126, 127 and 147 serial numbers 65458 up to and including 400,000. Instructions for Setting Up appear on pages 3 through 9.

Use sub frame adapting package (549 674 R92) for International Cub Cadet models 86, 108, 109, 128, 129, 149, 169, 800, 1000, 1200, 1250, 1450 and 1650 serial numbers 400,001 and up. Instructions for Setting Up appear on pages 10 through 15.



CAUTION

Read the Operator's Manual.

Learn to operate this machine SAFELY.

Be alert. Observe ALL Safety Practices.

Machines can be hazardous in the hands of an UNFAMILIAR, UNTRAINED or COMPLACENT operator.

Don't risk INJURY or DEATH.

MA-10034

SETTING UP

Remove all wires or other packaging material. Sort out all hardware by sizes and types in a convenient and orderly manner.

Bolts must be used in the holes in which they are found, or in the parts to which they are attached unless otherwise shown.

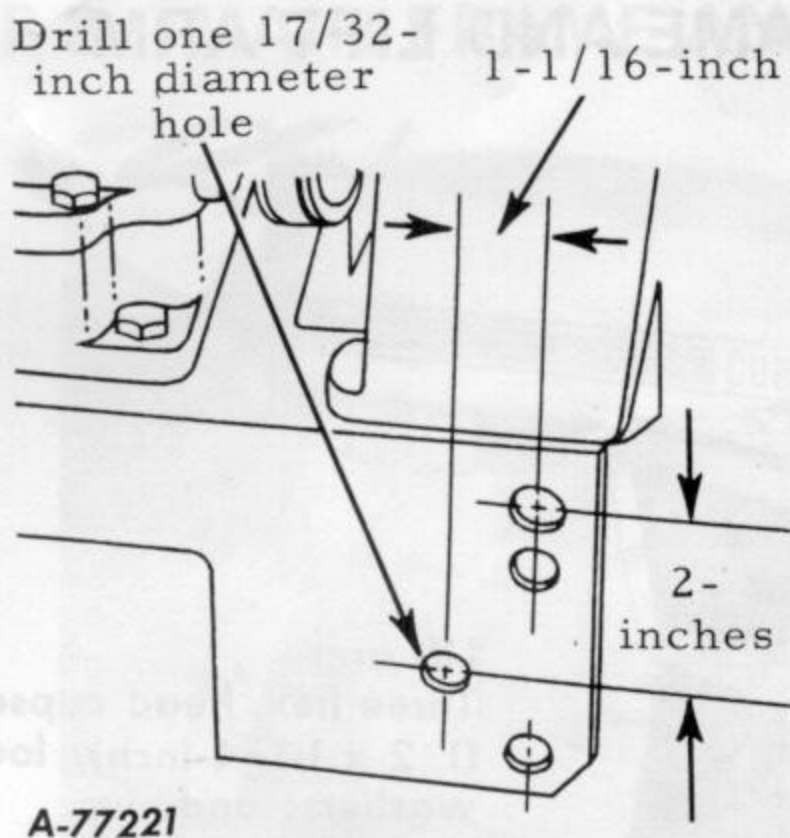
Lubricate all working parts as you proceed, and see that they work freely.

Whenever the terms "left" and "right" are used, it should be understood to mean from a position behind and facing the machine.

Bolts furnished with the blade are identified by three radial lines on the head. Bolts without radial lines are type 1.

SETTING UP
Subframe Adapter Package (473 932 R92)

TRACTOR MODIFICATION



Illust. 3

To attach the blade subframe to International Cub Cadet Tractors with serial numbers up to and including 65457, drill holes in tractor frame on left

and right sides as shown in **Illust. 3**.

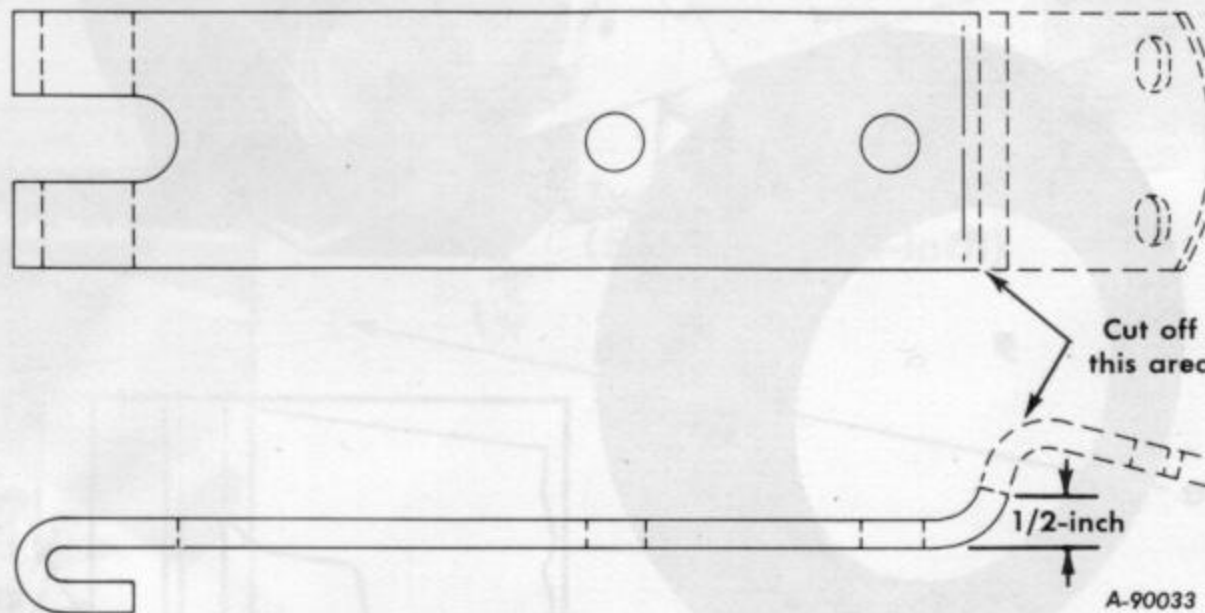
The above step is not required on the following tractors: Tractors with serial number 65458 up to and including 400,000. Models 70, 71, 72, 73, 100, 102, 104, 105, 106, 107, 122, 123, 124, 125, 126, 127, and 147.

Cub Cadet 70, 71, 100, 102, 122 and 123 Tractors with mower mounting brackets: Remove the mounting brackets before attaching the blade subframe.

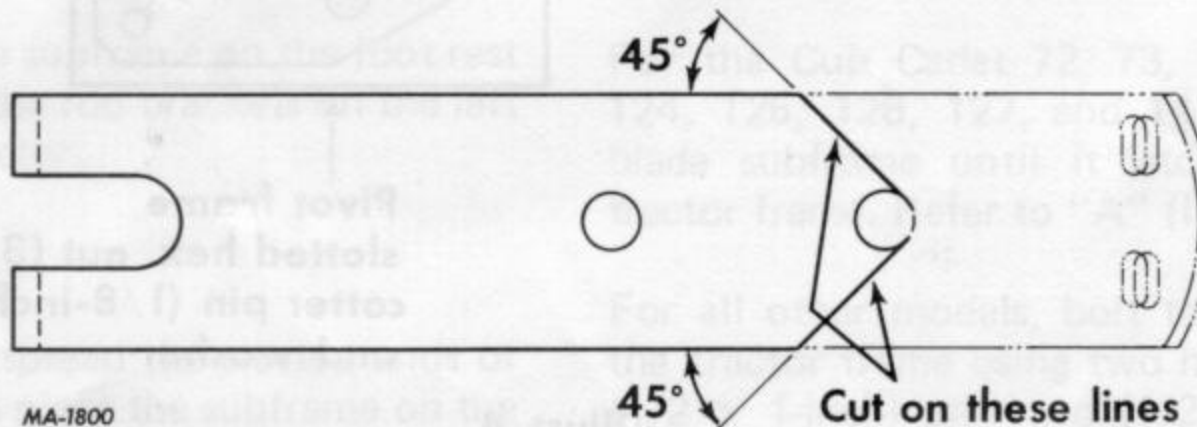
BLADE MODIFICATION

Tractors with Hydraulic Lift Unit: Order the following parts from parts stock; one 27 934A, spacer (1/2 x 1-1/32-inch pipe), one 1/2 x 1-7/8-inch hex. head bolt, and one 1/2-inch medium lock washer. Rework the lift bracket as shown in **Illust. 3A**.

Tractors with Electric Lift: Order one 1/2 x 1-inch hex. head cap screw. Rework lift bracket as shown in **Illust. 3B**.



Illust. 3A – Reworking diagram for lift bracket for tractors equipped with hydraulic lift.

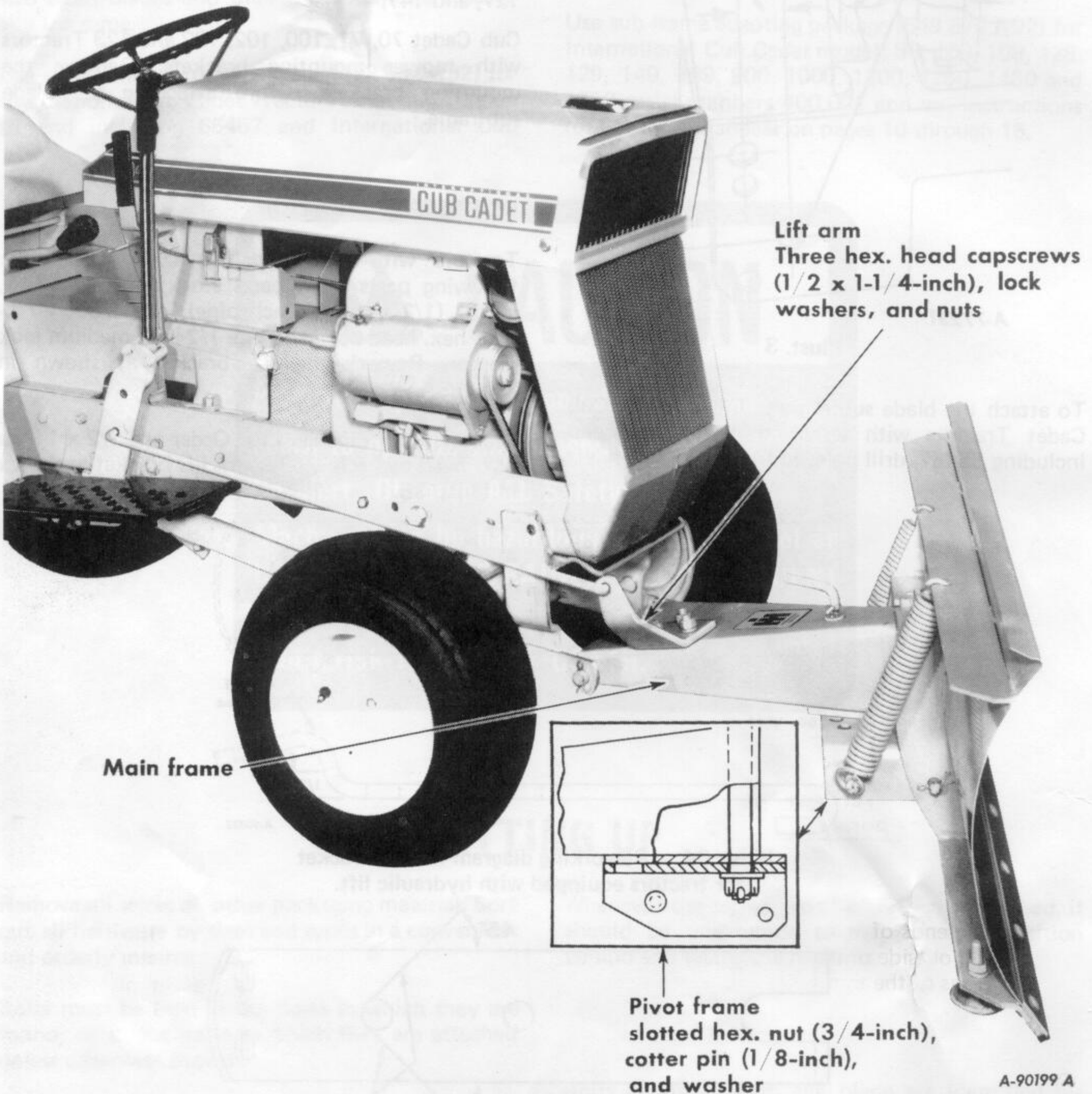


Illust. 3B – Reworking diagram for tractors equipped with electric lift.

SETTING UP

Subframe Adapter Package (473 932 R92)

STEP 1. PIVOT FRAME, MAIN FRAME AND LIFT ARM

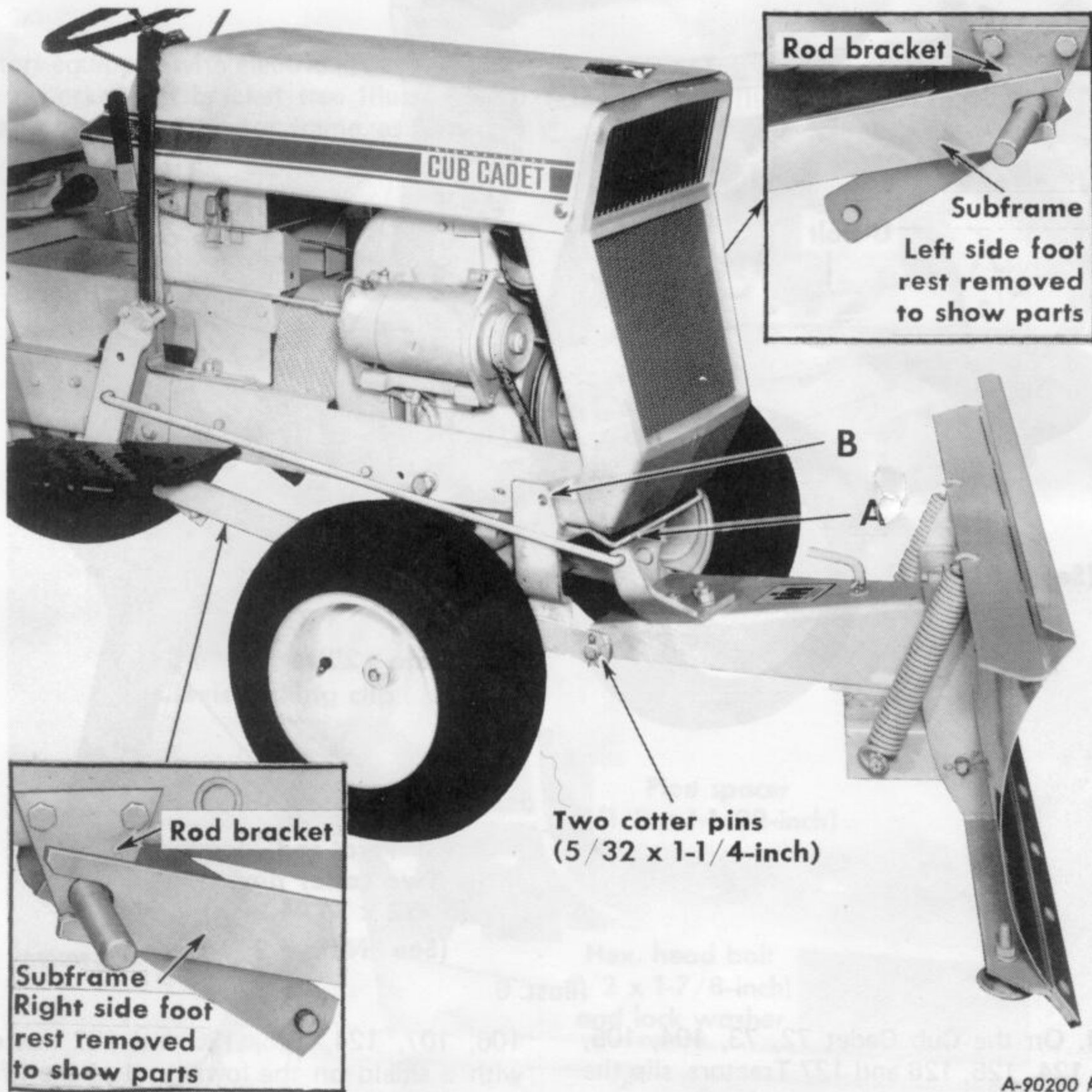


Illust. 4

SETTING UP

Subframe Adapter Package (473 932 R92)

STEP 2. MAIN FRAME AND SUBFRAME



Illust. 5

Place slotted ends of the subframe on the foot rest rods, on the outside of the rod brackets on the left and right sides of the tractor.

It may be necessary to spread the slotted ends of the subframe in order to place the subframe on the foot rest rods.

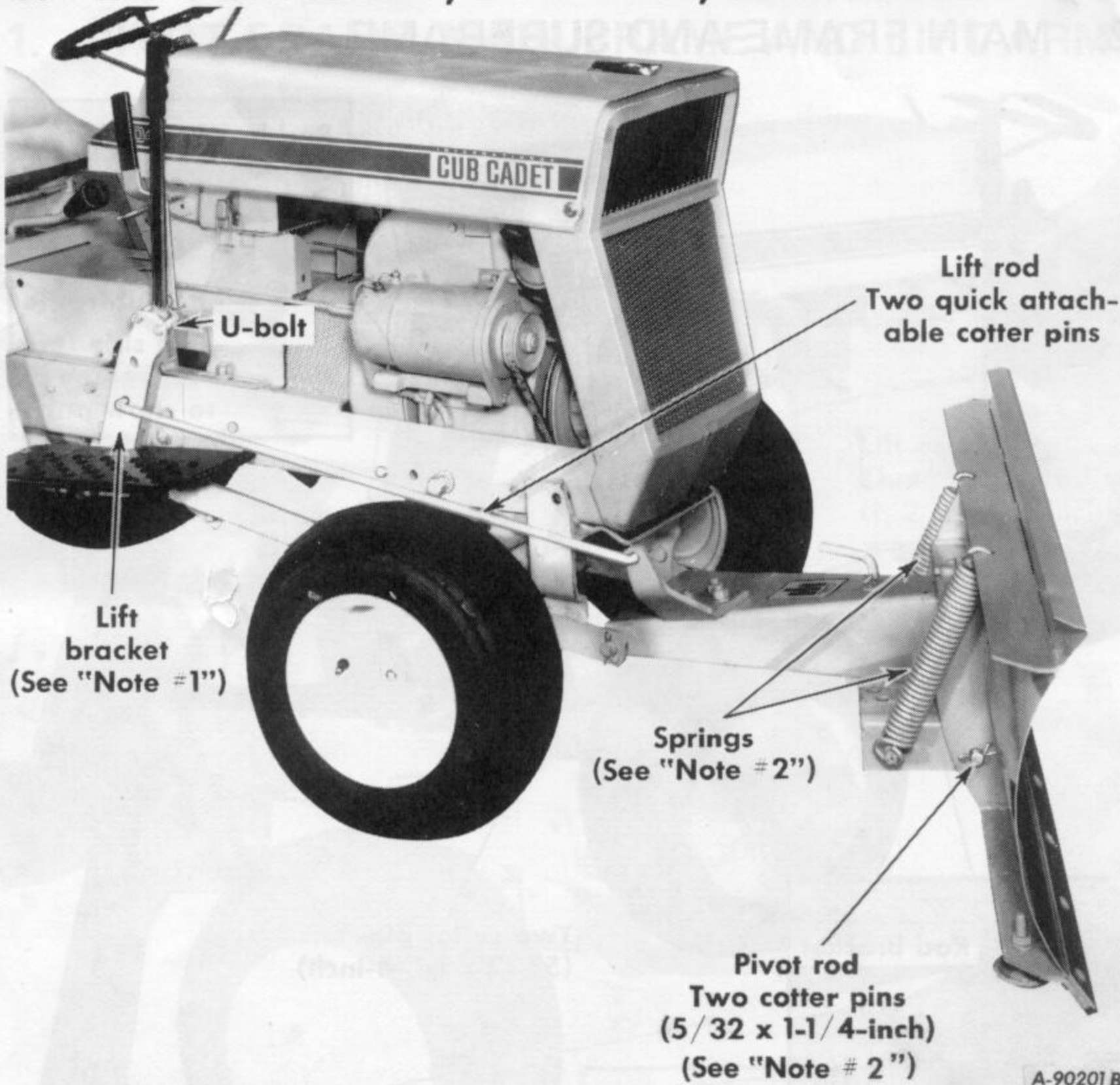
For the Cub Cadet 72, 73, 104, 105, 106, 107, 124, 125, 126, 127, and 147 Tractors, raise the blade subframe until it latches in place on the tractor frame. Refer to "A" (Illust.5)

For all other models, bolt the blade subframe to the tractor frame using two hex. head cap screws, (1/2 x 1-inch) and two (1/2-inch) medium lock-washers. Refer to "B" (Illust. 5).

SETTING UP

Subframe Adapter Package (473 932 R92)

STEP 3. LIFT BRACKET, LIFT ROD, SPRINGS AND BLADE



A-90201 B

Illust. 6

NOTE #1. On the Cub Cadet 72, 73, 104, 105, 106, 107, 124, 125, 126 and 127 Tractors, slip the lift bracket between the foot rest and frame over the lift handle pivot shaft. Secure lift bracket to shaft using hex. head bolt (5/16 x 2-3/4-inch) and two flat washers, one on each side of lift bracket.

For all other models the right foot rest must be removed to install the lift bracket, as shown in **Illust. 9 and 9A.**

For tractors with manual lift handle secure the lift bracket to the handle using the U-bolt.

On all tractors except the Model 72, 73, 104, 105,

106, 107, 124, 125, 126 and 127 not equipped with a shield on the lower end of the lift handle, use two (1/2 x 1-1/16-inch) spacers on the U-bolt, behind the lift bracket.

The lift rod may be used in the upper hole of the lift bracket for a higher lift, and in the lower hole for an easier lift.

For tractors equipped with hydraulic lift attachment, bolt the reworked lift bracket (see **Illust.3A**) to the lift arm as shown in **Illust. 7.**

The lift bracket must be spaced away from the lift arm with the pipe spacer.

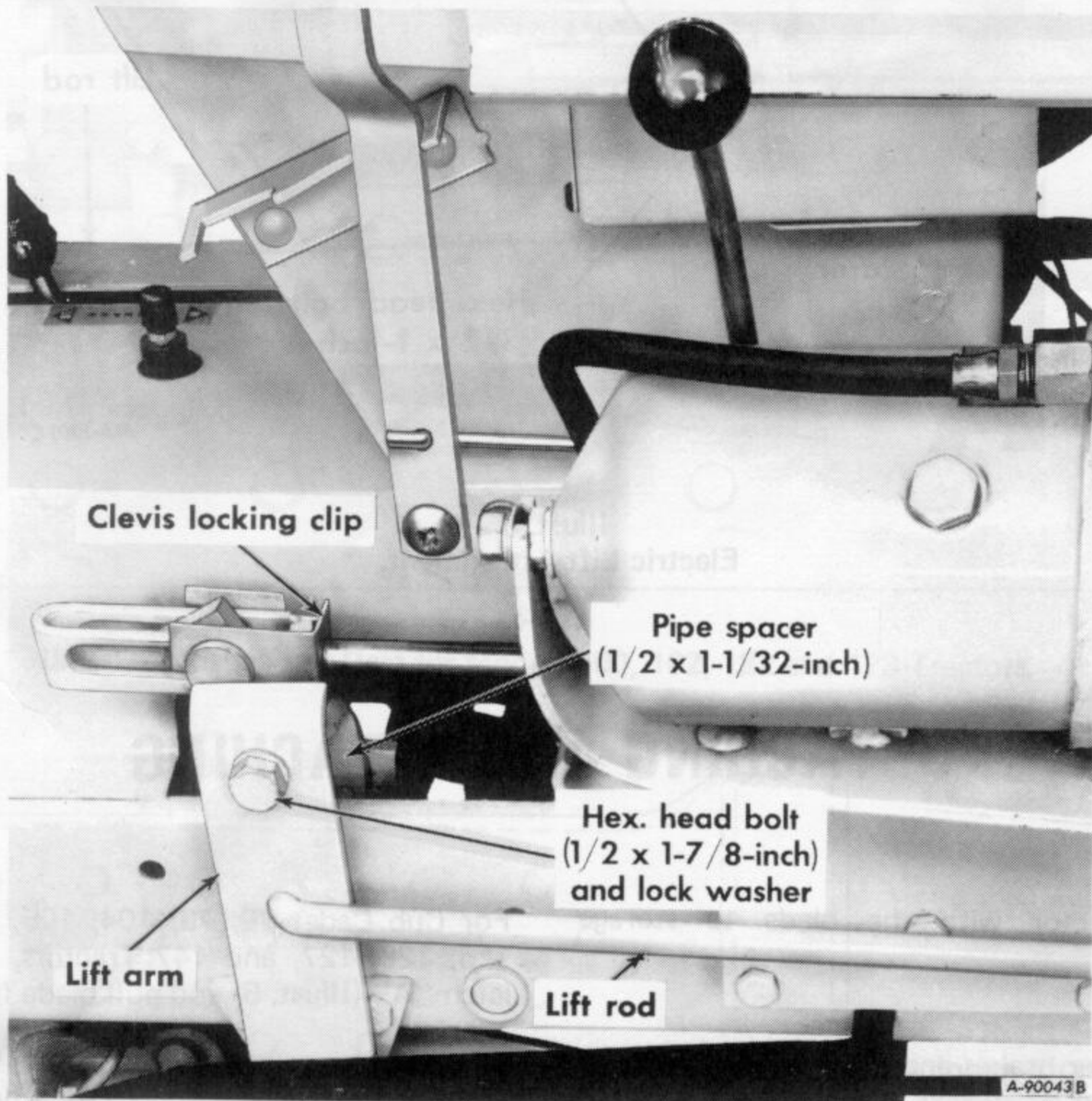
SETTING UP

Subframe Adapter Package (473 932 R92)

STEP 3. LIFT BRACKET, LIFT ROD, SPRINGS AND BLADE – Continued

For tractors equipped with electric lift attachment, bolt the reworked lift bracket (see Illust. 3B) to the lift arm, inside the tractor frame, as shown in Illust. 8.

NOTE #2. Pitch blade rearward and connect the springs. See Illust. 6. Pitch blade forward and down to attach pivot frame to blade, using pivot rod and cotter pins.

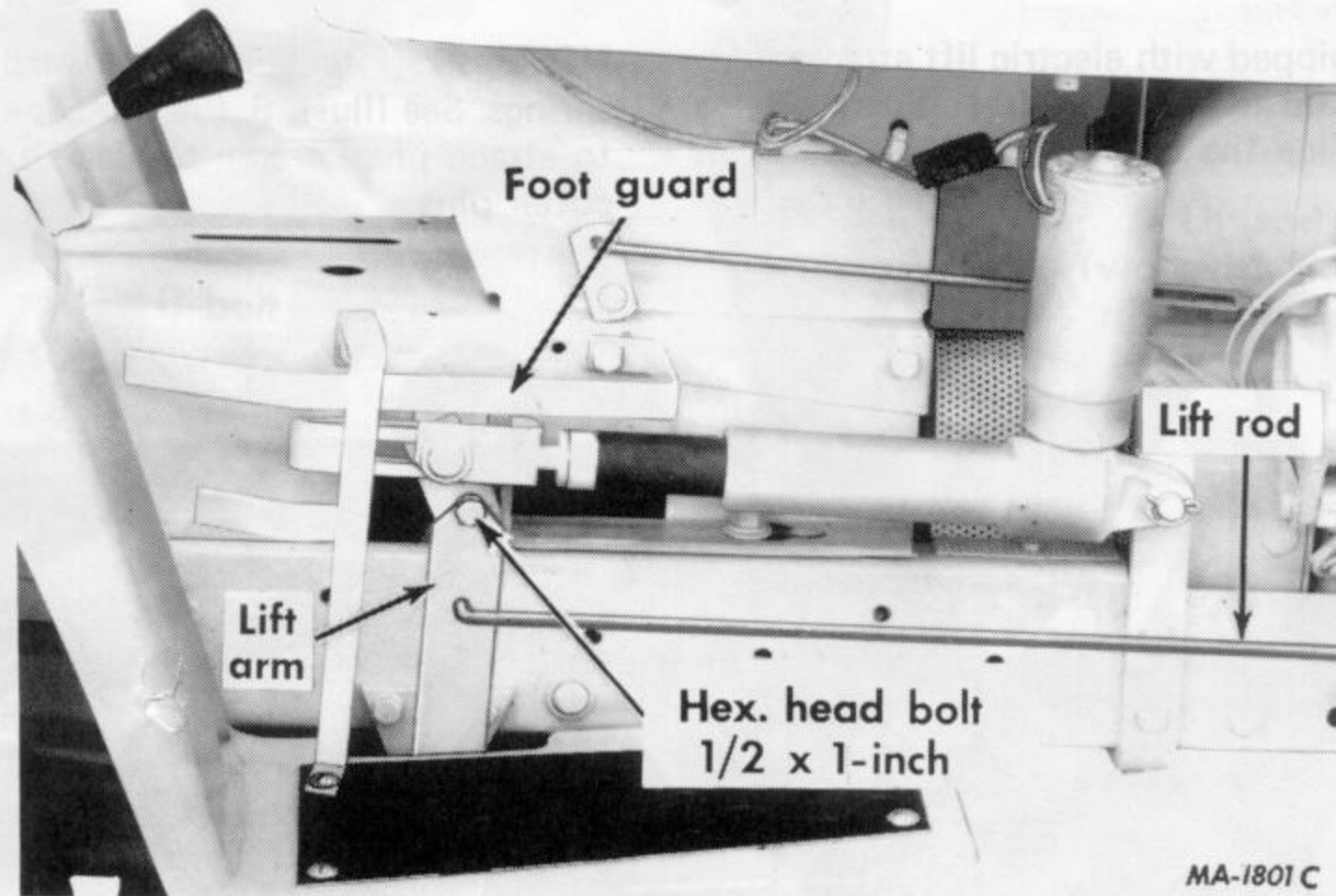


Illust. 7
Hydraulic Lift Arm Attachment.

SETTING UP

Subframe Adapter Package (473 932 R92)

STEP 3. LIFT BRACKET, LIFT ROD, SPRINGS AND BLADE – Continued



Illust. 8
Electric Lift Attachment.

DETACHING AND ATTACHING

Drive the tractor with the blade to storage location.

Lock the tractor brakes and lower the blade to the ground.

Remove the lift rod from the lift bracket and lift arms. See Illust. 6.

For Cub Cadet 72, 73, 104, 105, 106, 107, 124, 125, 126, 127, and 147 Tractors, press down on latch "A" (Illust. 5) and pull blade from tractor.

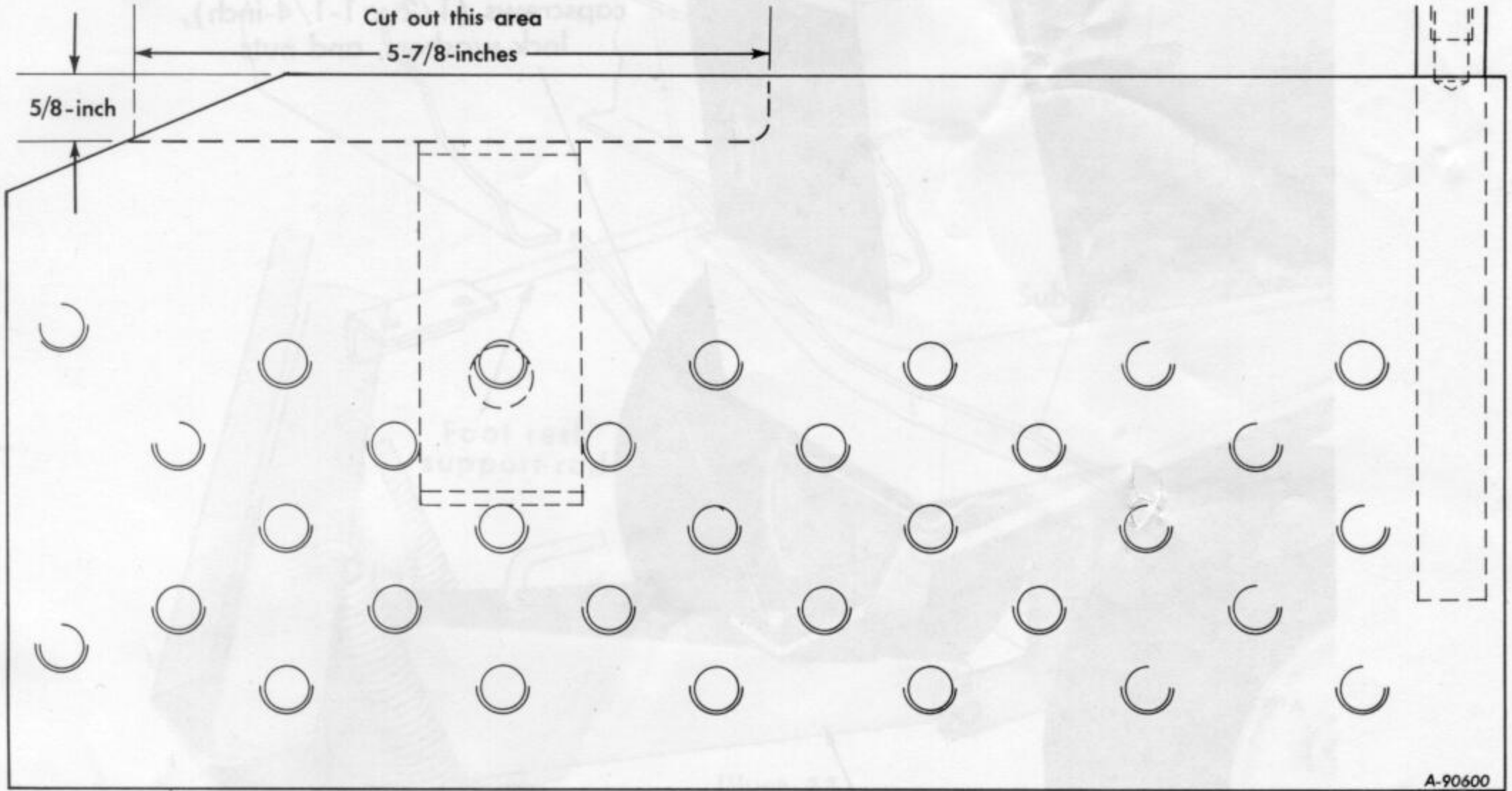
For all other models, remove the two hex. head capscrews and lockwashers "B" (Illust. 5) and pull blade from tractor.

To attach the blade to the tractor, reverse the above procedure.

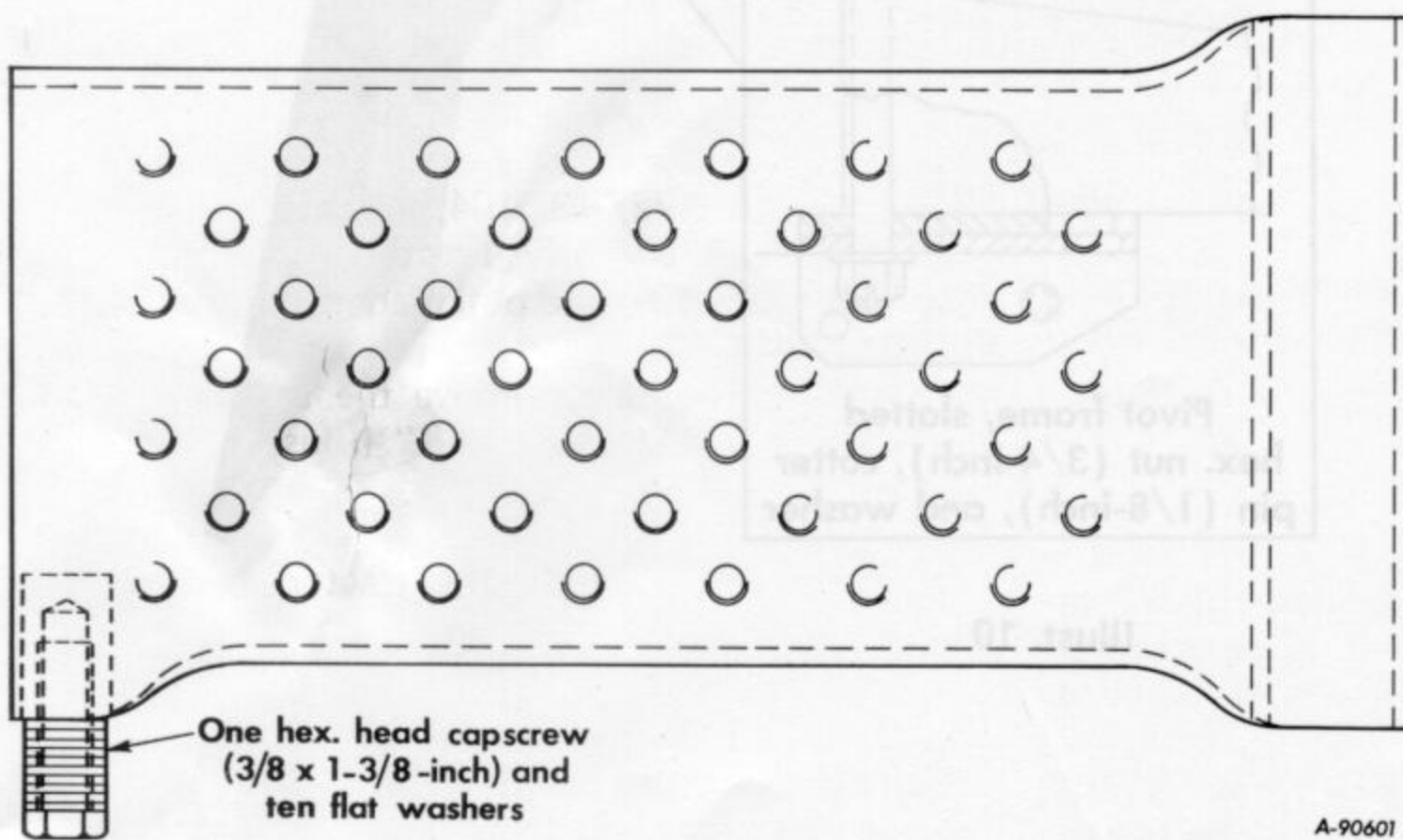
SETTING UP

Subframe Adapter Package (473 932 R92)

STEP 3. LIFT BRACKET, LIFT ROD, SPRINGS AND BLADE – Continued



Illust. 9 - Right Foot Rest for Models 100, 102, 122 and 123 Tractors.

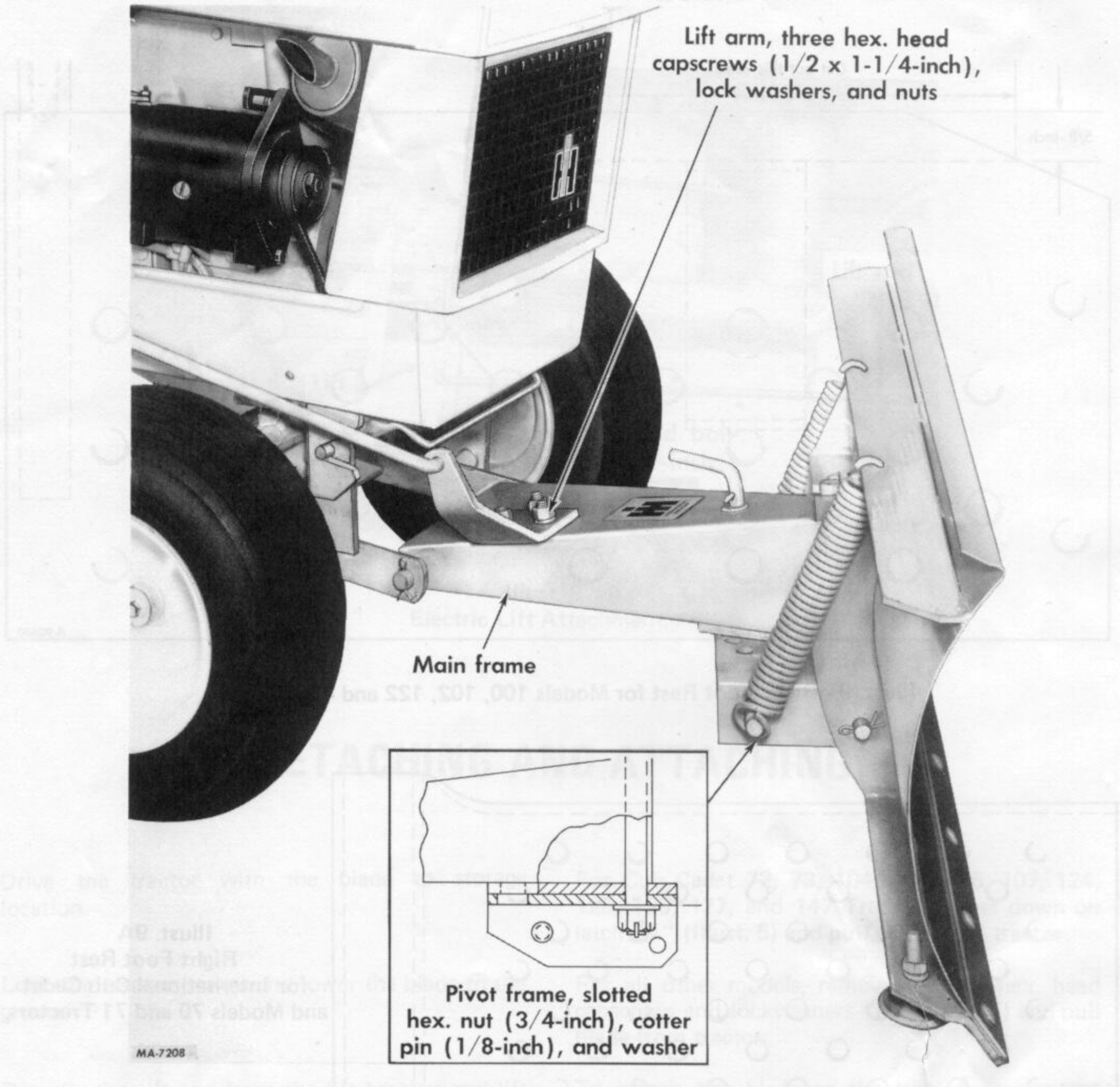


Illust. 9A
Right Foot Rest
for International Cub Cadet
and Models 70 and 71 Tractors.

SETTING UP

Subframe Adapter Package (549 674 R92)

STEP 1. PIVOT FRAME, MAIN FRAME AND LIFT ARM



Lift arm, three hex. head capscrews (1/2 x 1-1/4-inch), lock washers, and nuts

Main frame

Pivot frame, slotted hex. nut (3/4-inch), cotter pin (1/8-inch), and washer

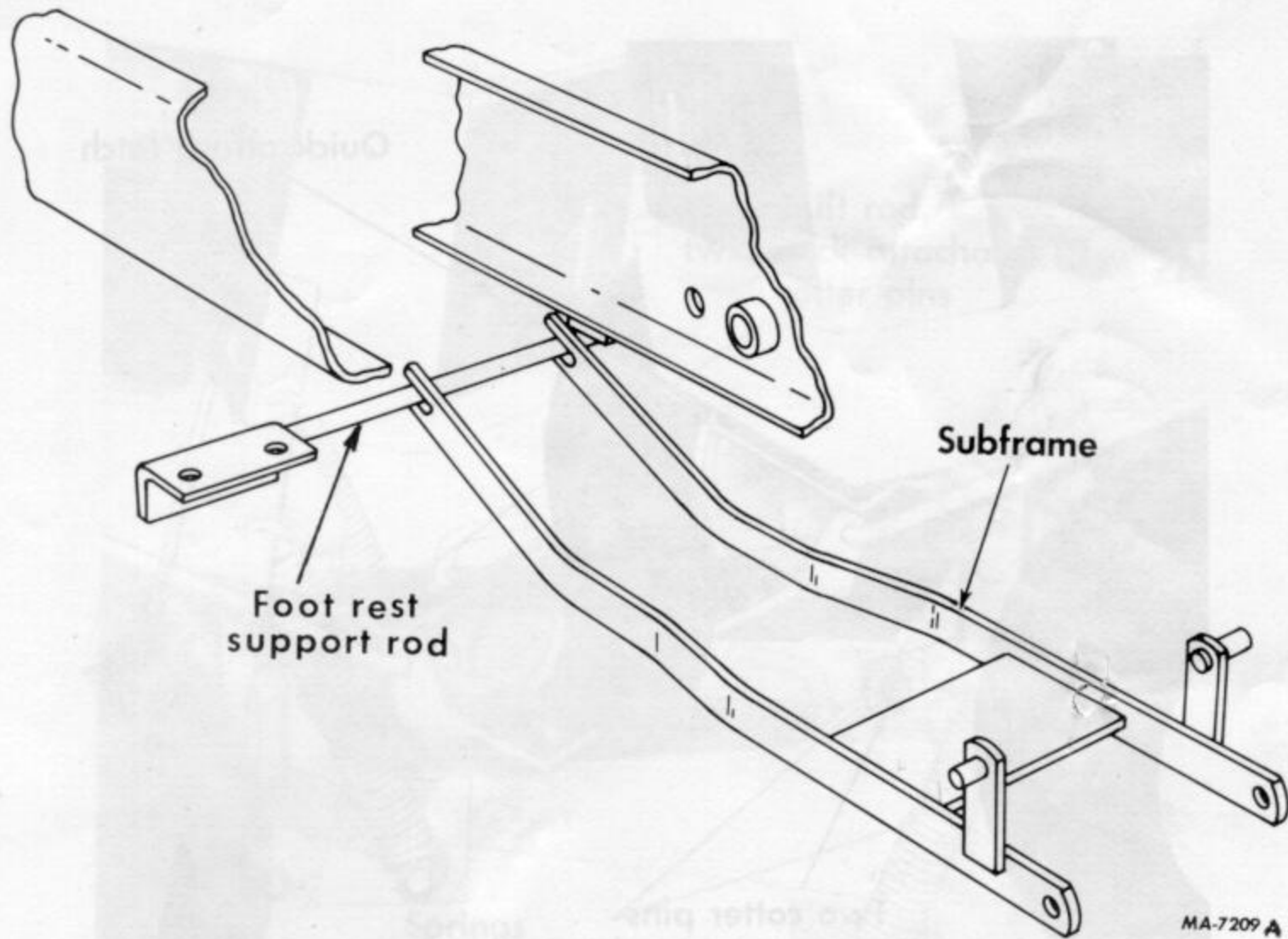
Illust. 10

MA-7208

SETTING UP

Subframe Adapter Package (549 674 R92)

STEP 2. SUBFRAME



Illust. 11

For International Cub Cadet Models 86, 108, 109, 128, 129, 149, 169, 800, 1000, 1200, 1250, 1450, and 1650; Serial Numbers 400,001 and up.

Place slotted ends of the subframe on the foot rest rod as shown in **Illust 11**.

Pivot rod.
Two cotter pins
(5/32 x 1-1/4 inch)
(See Note #2)

Illust. 12

NOTE #1: Pivot rod rearward and connect the springs.

Attach the lift rod to the lift arm of the blade and to the lift handle or rockshaft arm, depending on the type of lift the tractor is equipped with. Refer to Illust. 13, 14, and 14A.

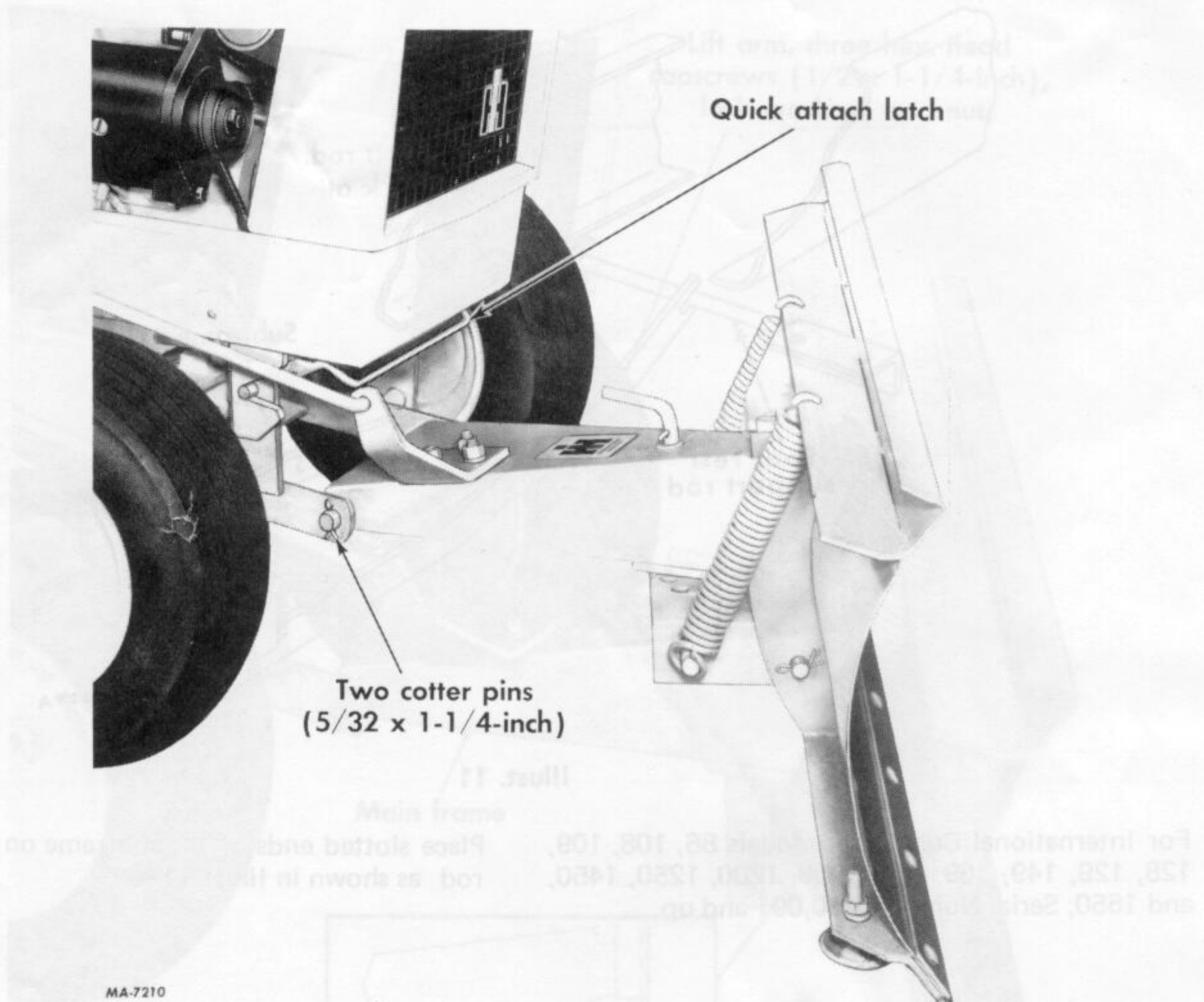
NOTE #2: Push blade forward and down to attach foot frame to blade, using pivot rod and cotter pins. See Illust. 13.

NOTE: Refer to the Operator's Manual for correct operating instructions for Manual Lift, Electric Lift, or Hydraulic Lift.

SETTING UP

Subframe Adapter Package (549 674 R92)

STEP 3. SUBFRAME AND MAINFRAME



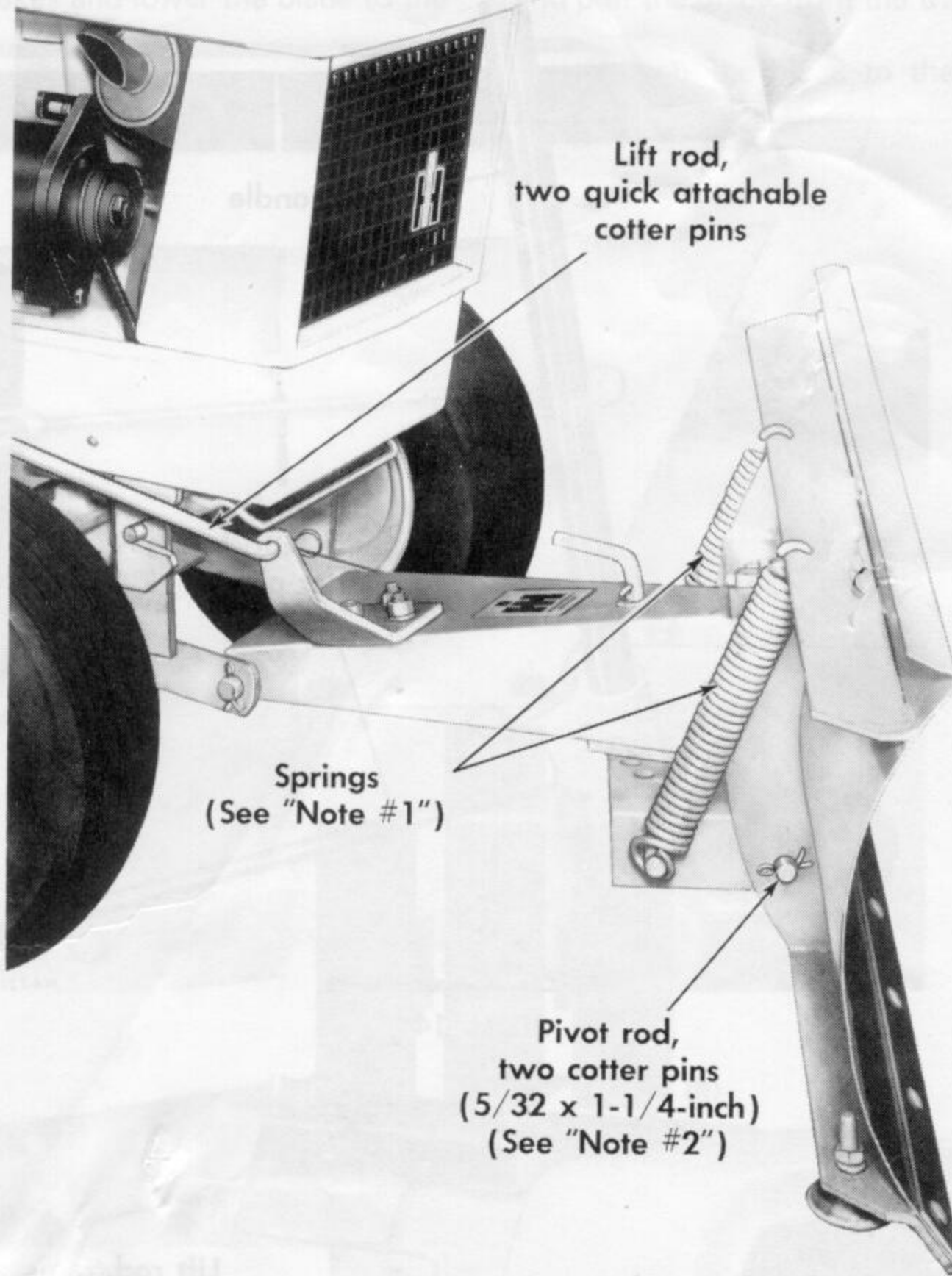
Illust. 12

Raise the blade subframe until it latches in place at the quick attach latch on the tractor frame. See **Illust. 12.**

Attach the blade main frame to the subframe as shown in **Illust. 12.**

Subframe Adapter Package (549 674 R92)

STEP 4. LIFT ROD, SPRINGS AND BLADE



MA-7211

Illust. 13

NOTE #1: Pitch blade rearward and connect the springs.

Attach the lift rod to the lift arm of the blade and to the lift handle or rockshaft arm, depending on the type of lift the tractor is equipped with. Refer to Illust. 13, 14, and 14A.

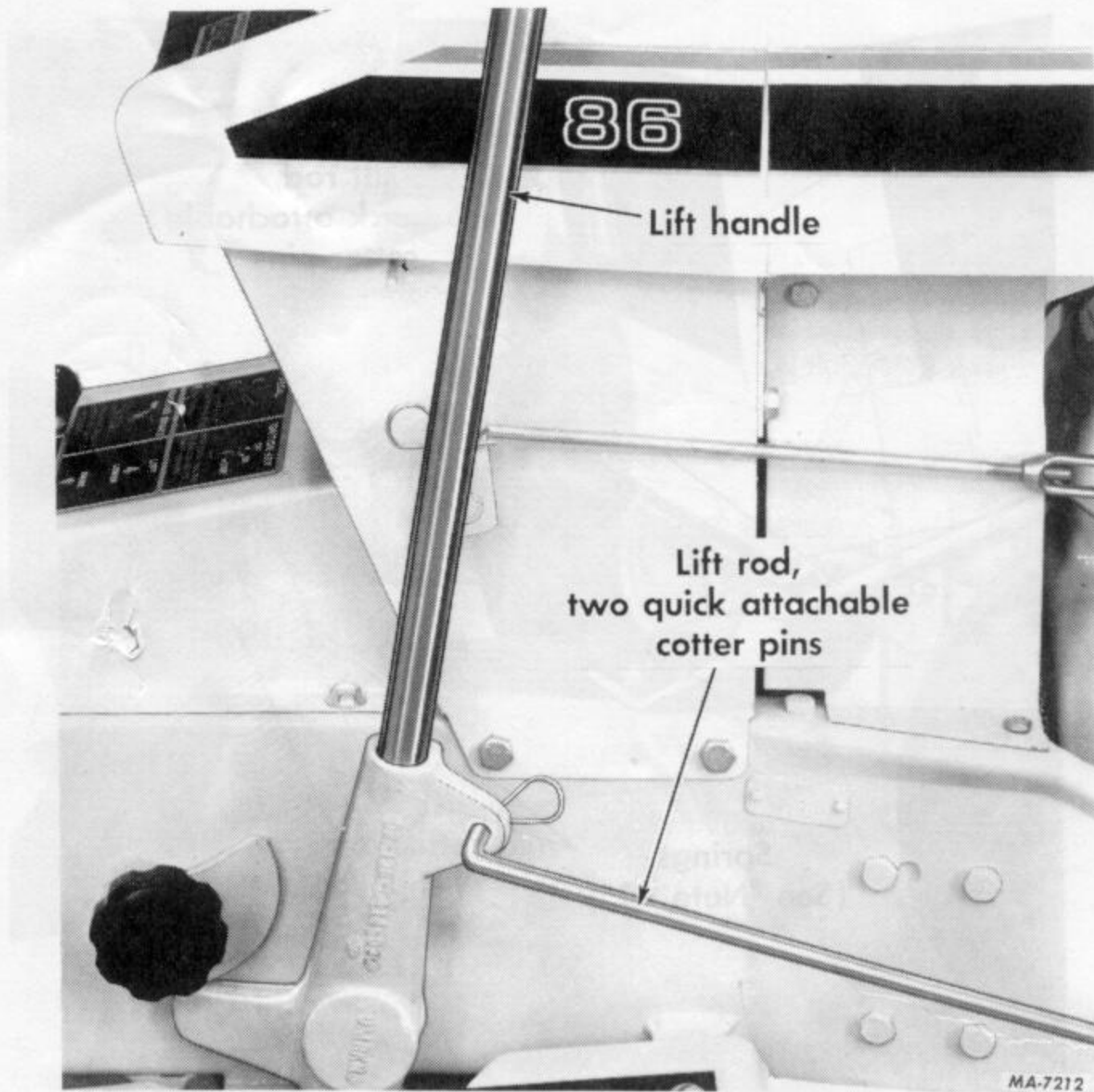
NOTE #2: Pitch blade forward and down to attach pivot frame to blade, using pivot rod and cotter pins. See Illust. 13.

NOTE: Refer to the Operator's Manual for correct operating instructions for Manual Lift, Electric Lift, or Hydraulic Lift.

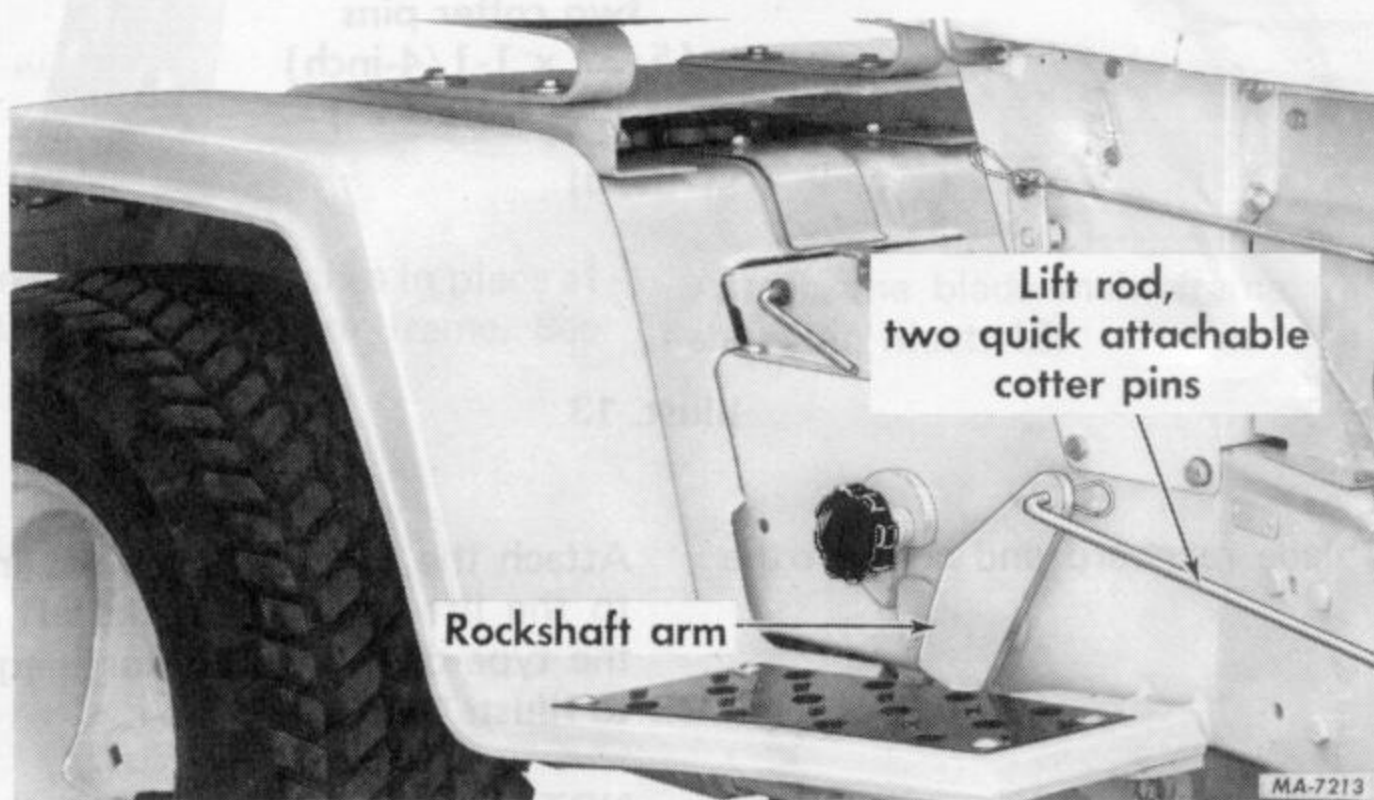
SETTING UP

Subframe Adapter Package (549 674 R92)

STEP 4. LIFT ROD, SPRINGS AND BLADE – Continued



Illust. 14



Illust. 14A

DETACHING INSTRUCTIONS

Drive the tractor with the blade to storage location.

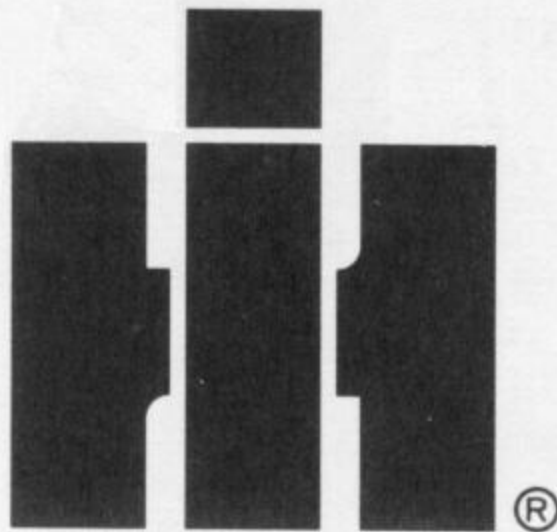
Lock the tractor brakes and lower the blade to the ground.

Remove the lift rod from the lift handle or

rockshaft arm and lift arm.

Press down on the quick attach latch (Illust.12) and pull the blade from the tractor.

To reattach the blade to the tractor, reverse the above procedure.



DETACHING INSTRUCTIONS

Subframe Adapter Package (549 674 R02)

STEP 4. LIFT ROD, SPRINGS AND BLADE - CONTINUED

Press down on the quick attach latch (Illustr. 15) and pull the blade from the tractor.

Detach the blade to the tractor, reverse the tractor and lift the blade.

Lock the tractor brakes and lower the blade to the ground.

Remove the lift rod.



Illustr. 14A