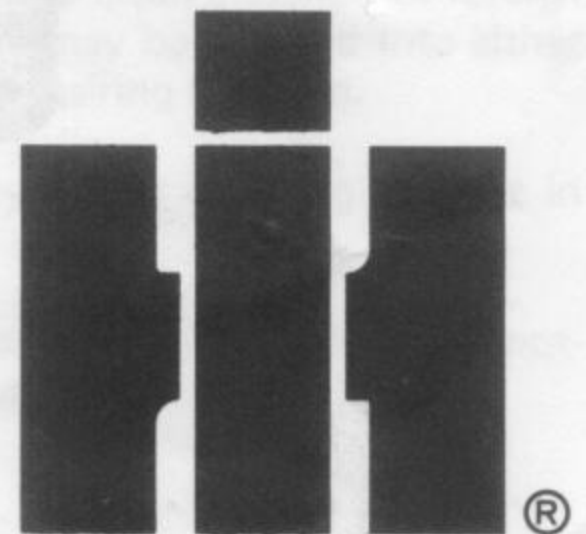


**HYDRAULIC ANGLED
BLADE ATTACHMENT**

(61 904 C91)

INTERNATIONAL®

SETTING UP INSTRUCTIONS



INTRODUCTION

This attachment is provided for hydraulic angling of the International 42 or 54-inch spring trip blade on International Cub Cadet® 1250, 1450, and 1650 Hydrostatic Drive tractors equipped with front hydraulic outlets.

On models built in 1974 and earlier, holes must be drilled, as shown on diagrams, in the main frame and pivot frame before assembly of rear bracket (ref. no. 1) and front bracket (ref. no. 2) using each bracket as a template. Refer to the Operator's Manual for correct operating instructions.



CAUTION

Read the Operator's Manual.

Learn to operate this machine SAFELY.

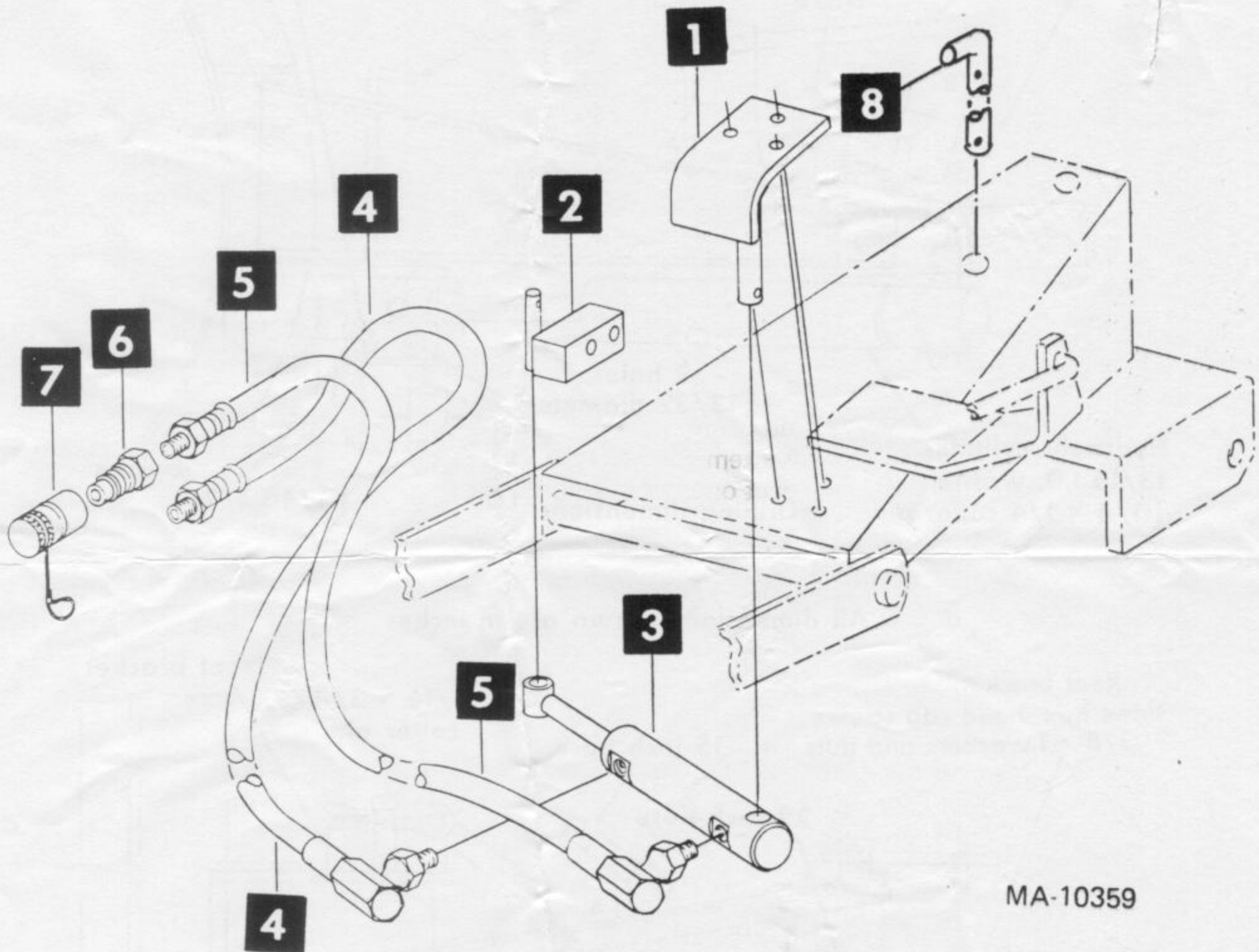
Be alert. Observe ALL Safety Practices.

Machines can be hazardous in the hands of an UNFAMILIAR, UNTRAINED or COMPLACENT operator.

Don't risk INJURY or DEATH.

MA-10034

To insure proper assembly, install parts as shown in illustration and diagrams.



MA-10359

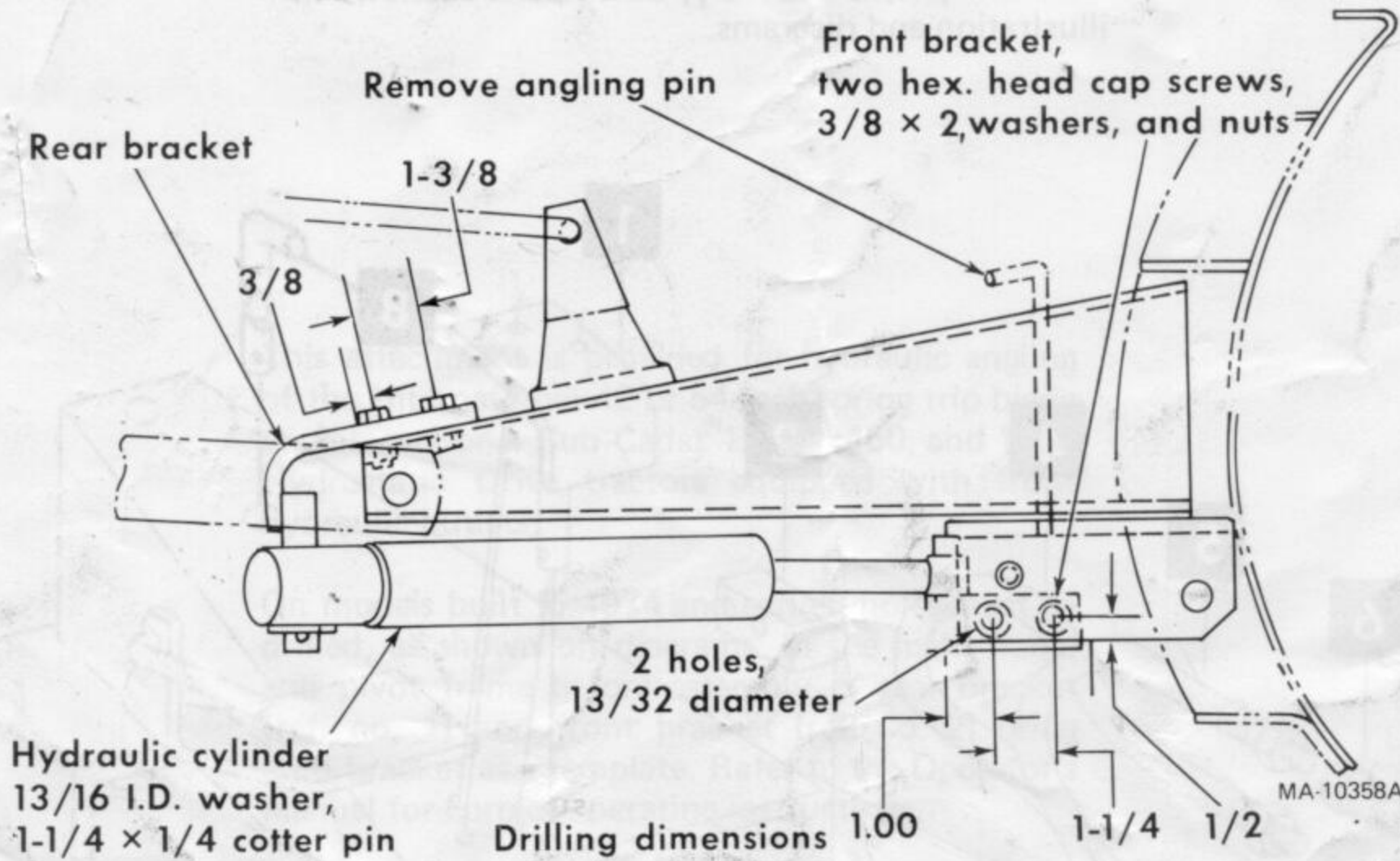
1. Install the rear bracket on to the main frame.
2. Install the front bracket on to the pivot frame.
3. Install the hydraulic cylinder.
4. Install the 15-inch hose in the cylinder port closest to the rod.
5. Install the 22-inch hose in the cylinder port closest to the mounting hole.

6. Assemble male connector to each hose.

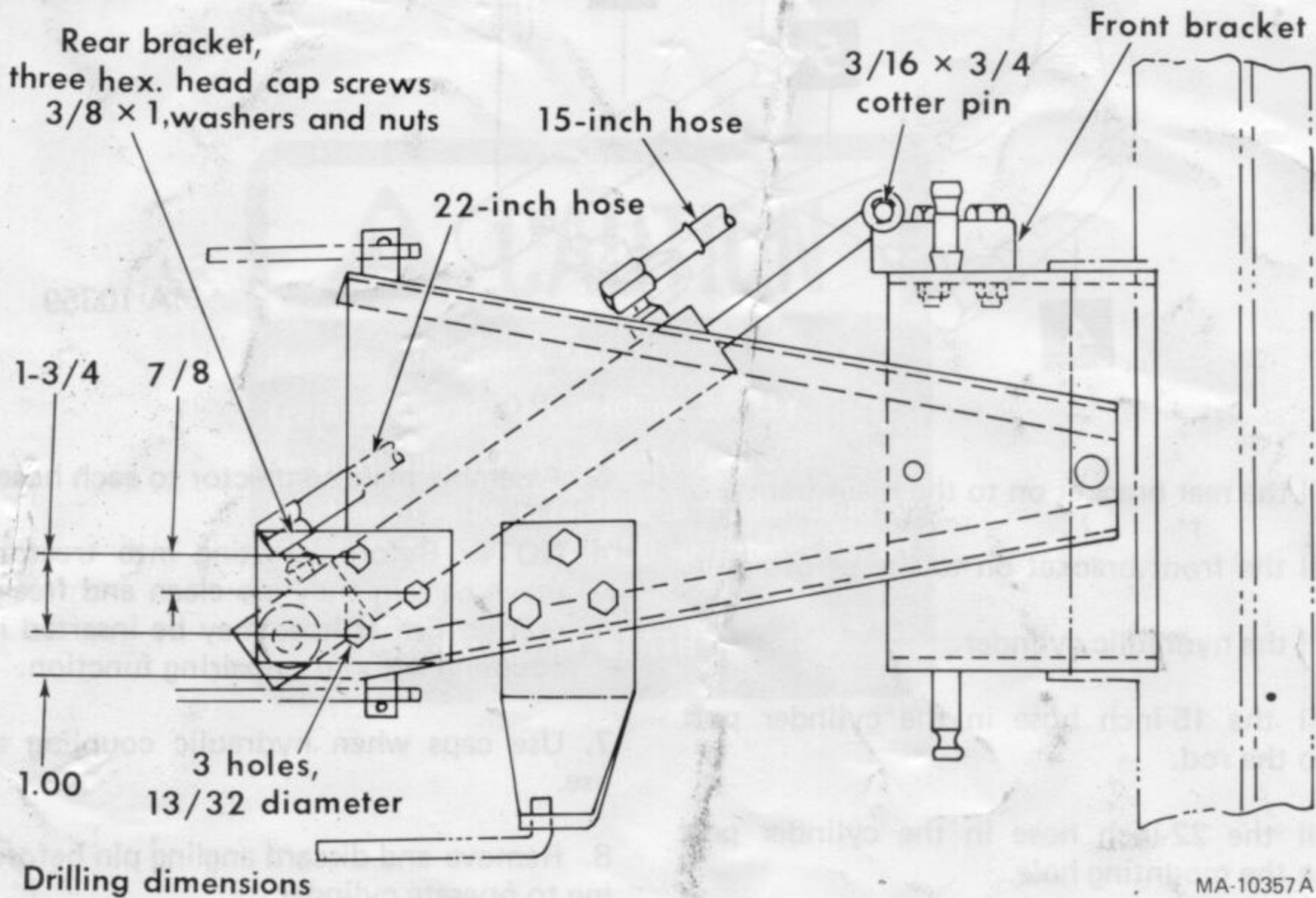
NOTE: Before inserting into tractor coupling make certain they are clean and free of foreign matter. Either hose may be inserted into either coupling without impairing function.

7. Use caps when hydraulic coupling are not in use.
8. Remove and discard angling pin before attempting to operate cylinder.

All dimensions shown are in inches



All dimensions shown are in inches



INTERNATIONAL HARVESTER COMPANY

401 NORTH MICHIGAN AVE.

CHICAGO, ILLINOIS 60611, U.S.A.